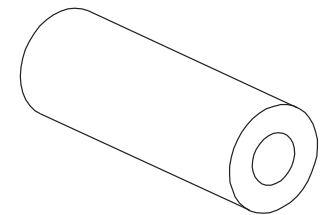
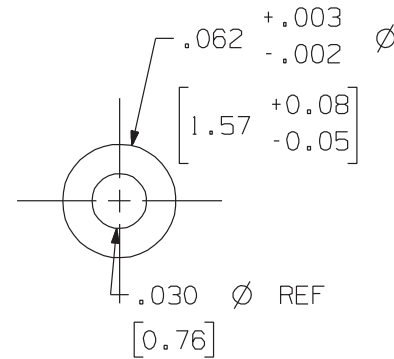
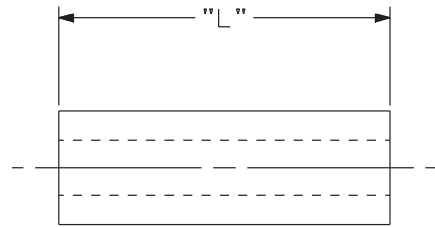


1258-XXX

Rev.

APPLICATION DRAWING

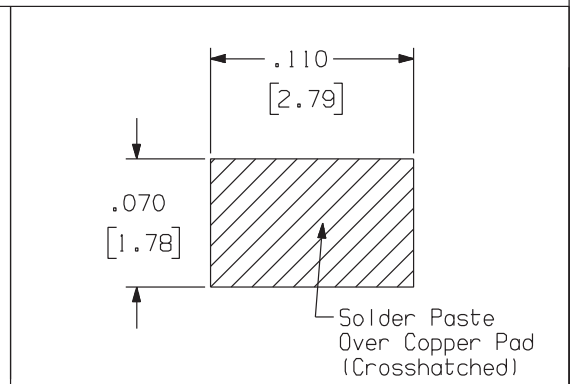
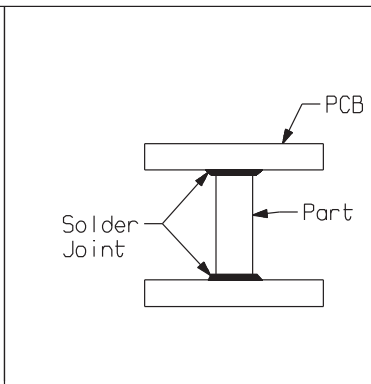
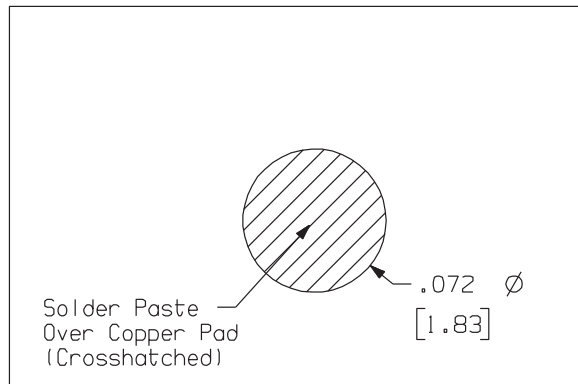


PART No.	"L"	MATERIAL	FINISH
1258-090-0	.090 (2.28mm)	C 36000 FREE MACHINE BRASS	.000150" MIN MATTE TIN OVER .000100" COPPER
1258-100-0	.100 (2.54mm)	C 36000 FREE MACHINE BRASS	.000150" MIN MATTE TIN OVER .000100" COPPER
1258-100-0-CU	.100 (2.54mm)	TELLURIUM Cu C14500	.000150" MIN MATTE TIN OVER .000100" COPPER
1258-118-0	.118 (2.99mm)	C 36000 FREE MACHINE BRASS	.000150" MIN MATTE TIN OVER .000100" COPPER
1258-140-0	.140 (3.56mm)	C 36000 FREE MACHINE BRASS	.000150" MIN MATTE TIN OVER .000100" COPPER
1258-157-0	.157 (3.99mm)	C 36000 FREE MACHINE BRASS	.000150" MIN MATTE TIN OVER .000100" COPPER
1258-181-0	.181 (4.60mm)	C 36000 FREE MACHINE BRASS	.000150" MIN MATTE TIN OVER .000100" COPPER
1258-197-0	.197 (5.00mm)	C 36000 FREE MACHINE BRASS	.000150" MIN MATTE TIN OVER .000100" COPPER
1258-236-0	.236 (5.99mm)	C 36000 FREE MACHINE BRASS	.000150" MIN MATTE TIN OVER .000100" COPPER

Recommended Solder Pad Geometry

SMT Application

Recommended Solder Pad Geometry



RoHS COMPLIANT

Zierick Product Related Recommendations are general guidelines only. Since each customer's design, process and application is different it is necessary that customers thoroughly test our products in specific applications.



Radio Circle Drive
Mount Kisco, New York 10549

CYLINDRICAL CAPILLARY CONTACT

THIS DOCUMENT AND THE CONFIDENTIAL INFORMATION CONTAINED HERE ARE THE PROPERTY OF ZIERICK MANUFACTURING CORPORATION AND MAY NOT BE USED IN WHOLE OR IN PART IN ANY WAY, OR COMMUNICATED TO ANY PARTY OTHER THAN THE RECIPIENT WITHOUT THE EXPRESS PRIOR WRITTEN CONSENT OF ZIERICK MANUFACTURING CORPORATION.

1258-XXX