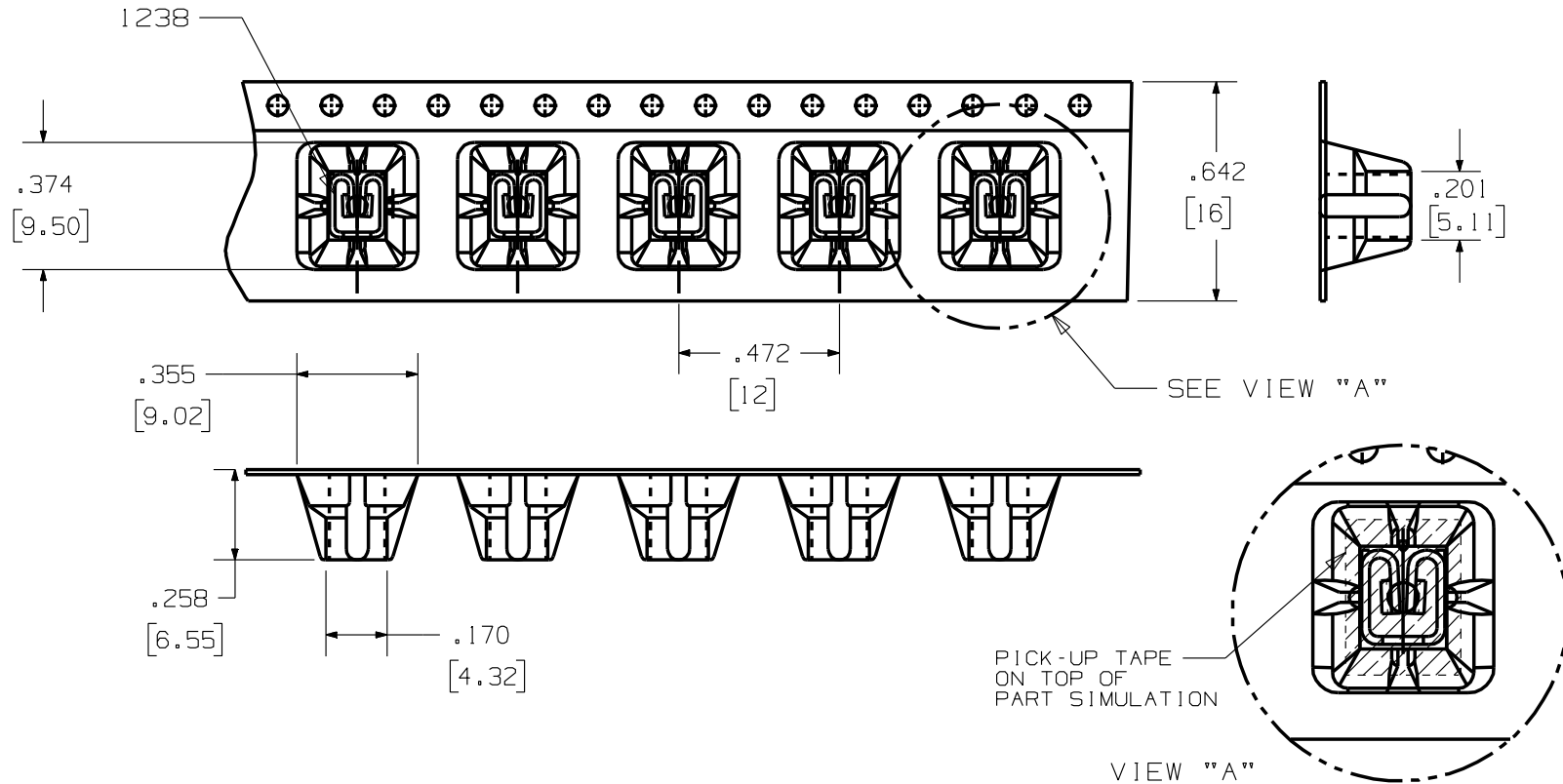


1238T-KT

Rev.
B

APPLICATION DRAWING



PART No.	DESCRIPTION
1238T-KT	1238 IN STANDARD TAPE AND REEL
1238T-KT-SR	7" PLASTIC REEL CONTAINING 100 PARTS IN TAPE

RoHS COMPLIANT

16mm TAPE

Zierick Product Related Recommendations are general guidelines only. Since each customer's design, process and application is different it is necessary that customers thoroughly test our products in specific applications.

ZIERICK

Radio Circle Drive
Mount Kisco, New York 10549

SMT UNIVERSAL TAB RECEPTACLE
BOTTOM ENTRY IN TAPE AND REEL
WITH PICK-UP TAPE

THIS DOCUMENT AND THE CONFIDENTIAL INFORMATION CONTAINED HERE ARE THE PROPERTY OF ZIERICK MANUFACTURING CORPORATION AND MAY NOT BE USED IN WHOLE OR IN PART IN ANY WAY, OR COMMUNICATED TO ANY PARTY OTHER THAN THE RECIPIENT WITHOUT THE EXPRESS PRIOR WRITTEN CONSENT OF ZIERICK MANUFACTURING CORPORATION.

1238T-KT

B