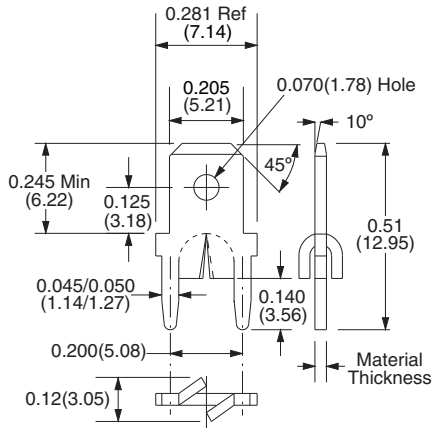


## 0.205" (5.21mm) Tabs / Quick Disconnect Terminals



<b>Loose Part No.</b>	1066	1065
<b>Reeled Part No.</b>	6066	6065
<b>Mounting Type</b>	Stable-Lok™ Splay Outward or Inward	
<b>Material Thickness/ Type</b>	0.020" (0.51mm) Brass	0.032" (0.81mm) Brass
<b>Standard Finish</b>	Loose: 100% Tin over Copper Reeled: 100% Tin over Copper	
<b>Mounting Hole Diameter</b>	0.050" ±0.003" (1.27mm ±0.076mm)	0.058" ±0.003" (1.47mm ±0.076mm)
<b>Applicator System</b>	Loose: ZPT81-A Reeled: Model 9700, 9700 XY	

For exact finish specifications and available special finishes, see Finish Table (page 106).