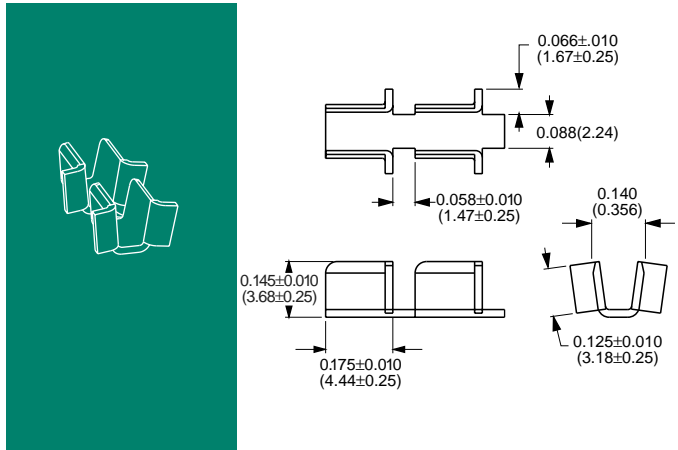
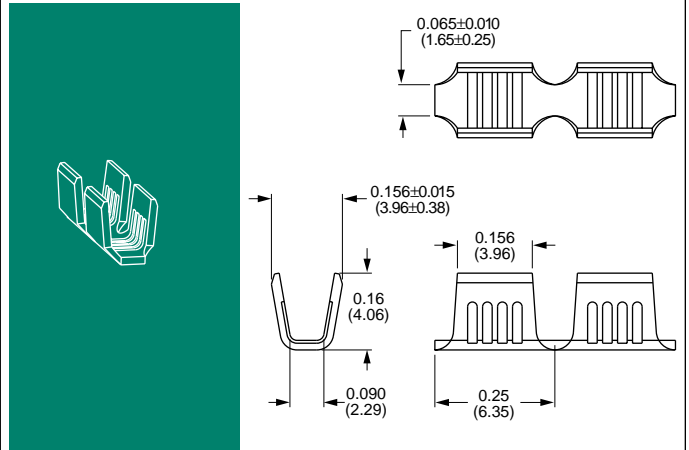


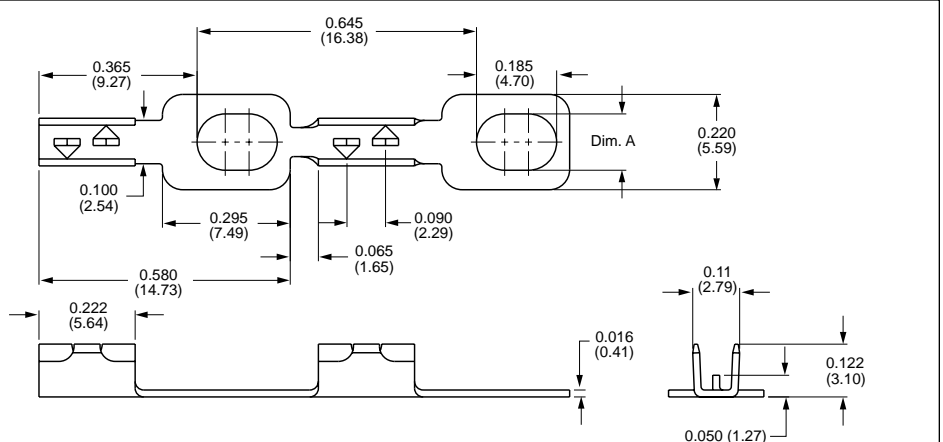
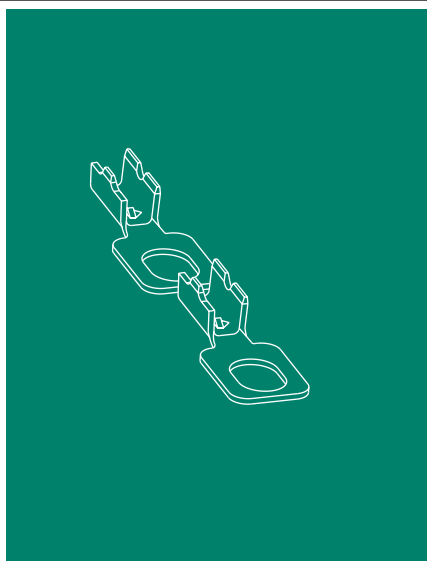
Strip Terminals



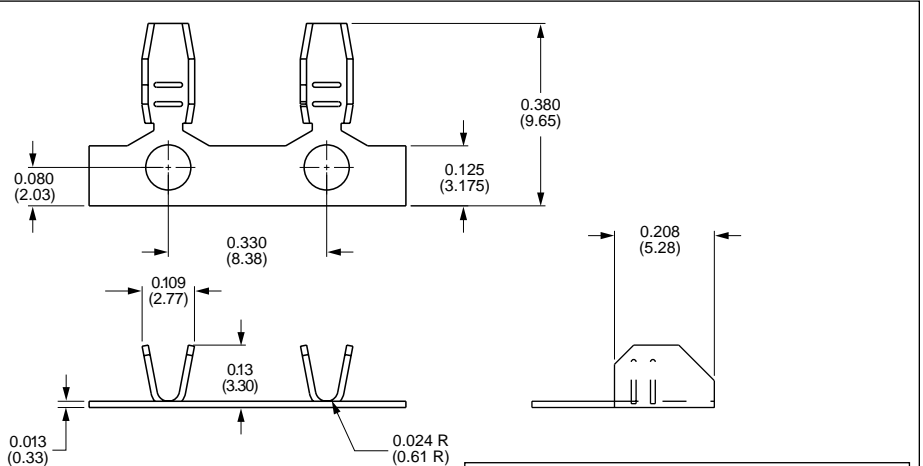
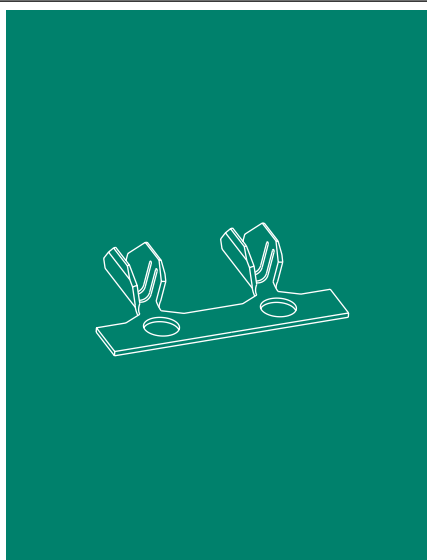
Part Number	Material Type	Finish Code	Inventory Type
5045	Brass	9	Special



Part Number	Material Type	Finish Code	Inventory Type
5015	Brass	9	Special
5054	Steel	10	Special



Part Number	Material Type	Finish Code	Inventory Type	Dim. 'A'
5000-130 SLOT-11	Brass	11	Special	0.130 Slot



Part Number	Material Type	Finish Code	Inventory Type
5017	Brass	9	Special