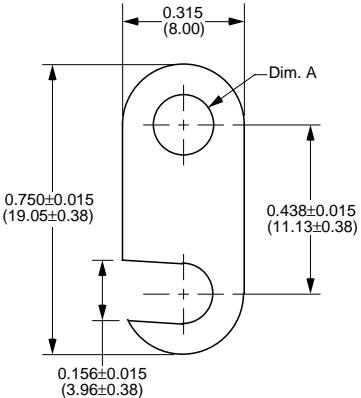
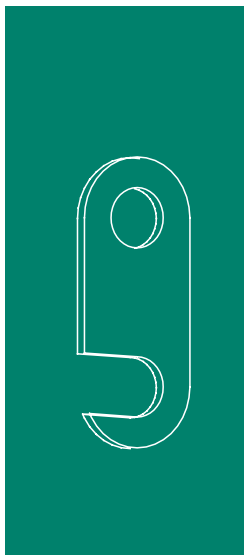


Part Number	Material Type	Finish Code	Inventory Type	Dim. 'A'
437	Brass	0	Stock	0.250" (6.35mm)



Part Number	Material Type	Finish Code	Inventory Type	Dim. 'A'
149-156	0.020" (0.51mm) Brass	0	Stock	0.156" (3.96mm)