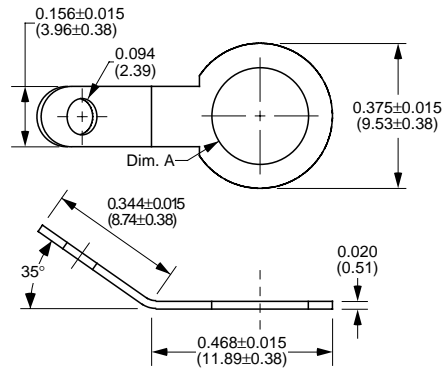
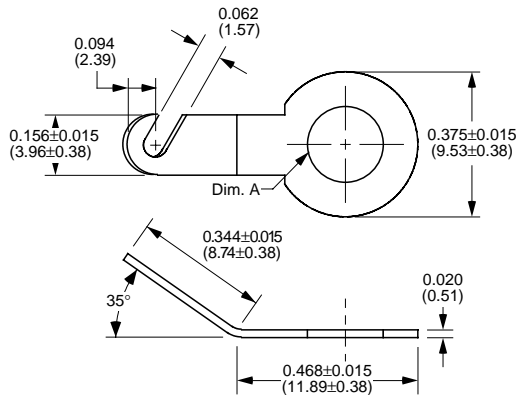


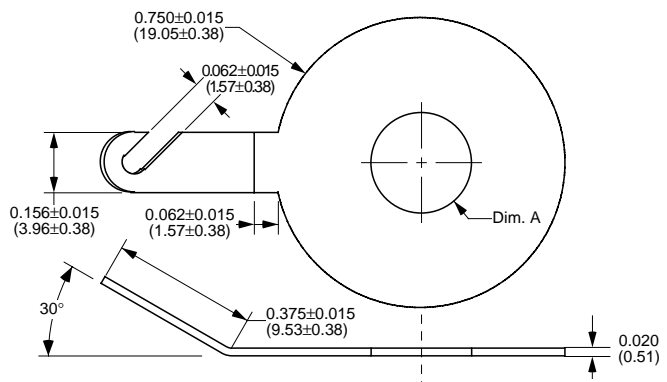
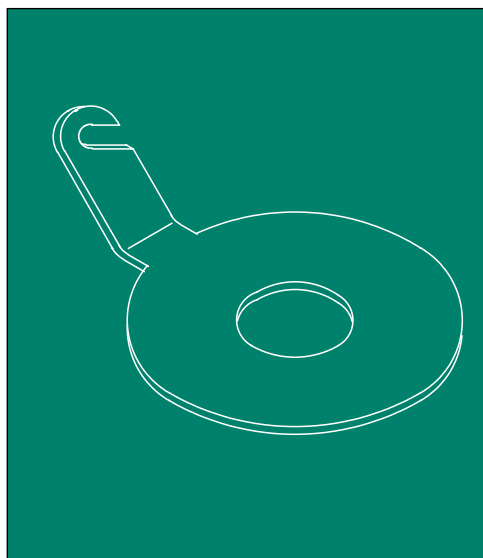
Solder Terminals - Angle



Part Number	Material Type	Finish Code	Inventory Type	Dim. 'A'
110-250	Brass	0	Stock	0.250" (6.35mm)



Part Number	Material Type	Finish Code	Inventory Type	Dim. 'A'
115-196	Brass	0	Stock	0.196" (4.98mm)
115-250	Brass	0	Stock	0.250" (6.35mm)



Part Number	Material Type	Finish Code	Inventory Type	Dim. 'A'
127-260	Brass	0	Stock	0.260" (6.60mm)