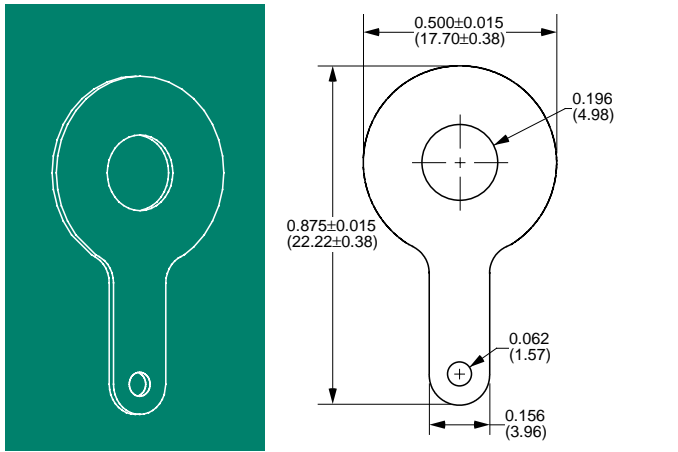
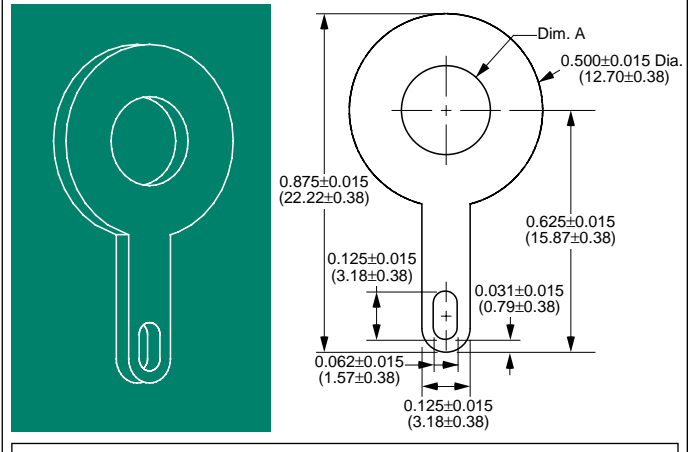


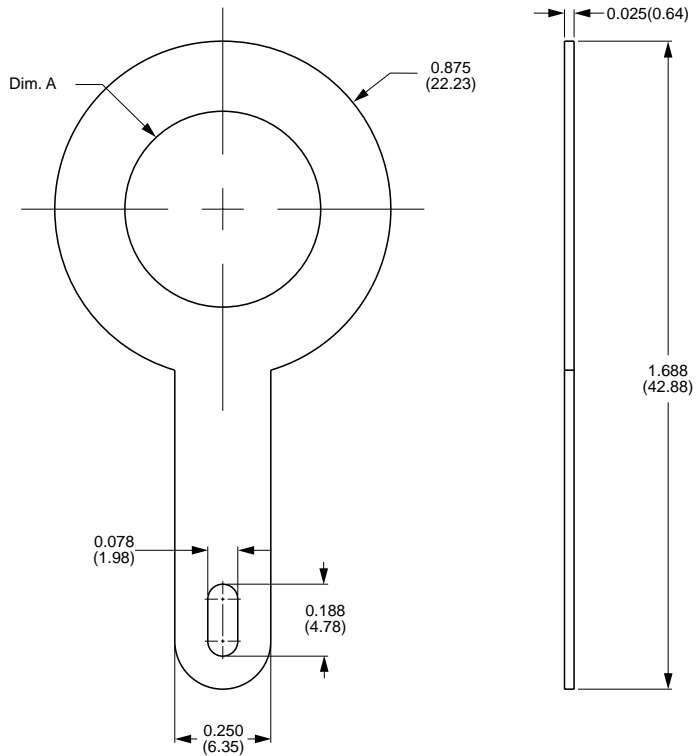
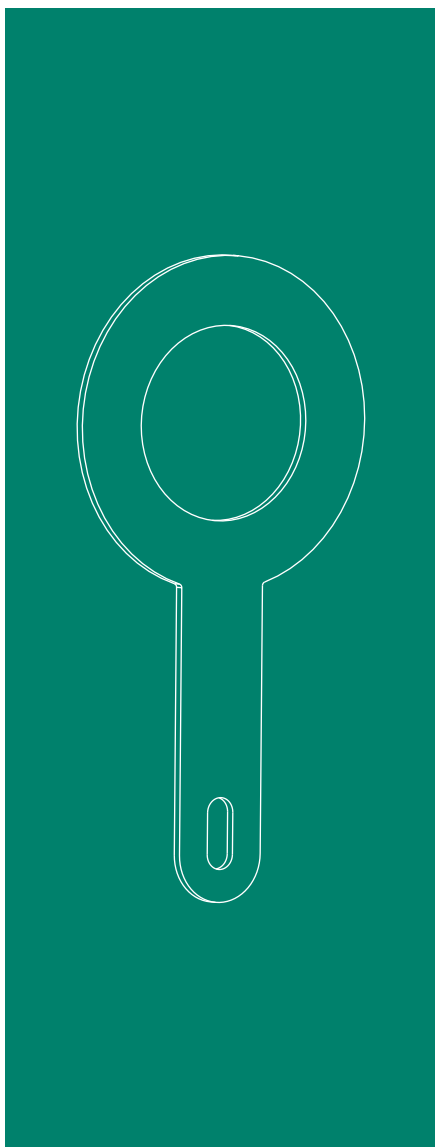
# Solder Terminals



Part Number	Material Type	Finish Code	Inventory Type
520-196	0.011" (0.28mm) Brass	0	Stock



Part Number	Material Type	Finish Code	Inventory Type	Dim. 'A'
558-230	0.032" (0.81mm) Steel	13	Special	0.230" (5.84mm)
558-257	0.032" (0.81mm) Steel	13	Stock	0.257" (6.53mm)
558-340	0.032" (0.81mm) Steel	13	Special	0.340" (8.64mm)
558-380	0.032" (0.81mm) Steel	13	Stock	0.380" (9.65mm)



Part Number	Material Type	Finish Code	Inventory Type	Dim 'A'
379-510	Copper	0	Stock	0.510" (12.95mm)

\*Contact factory for more part options