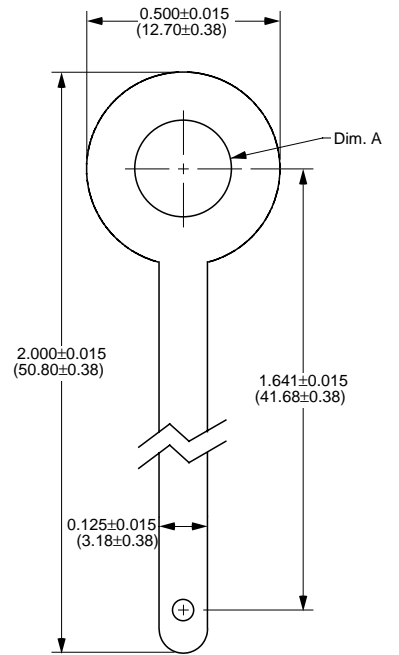
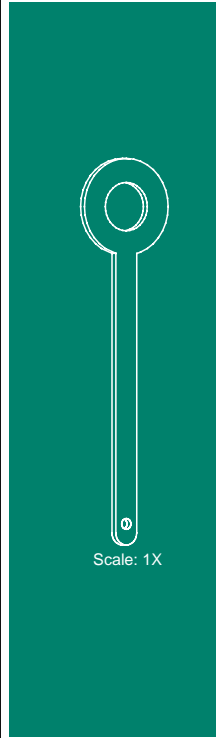
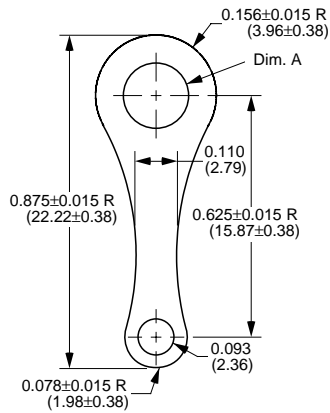
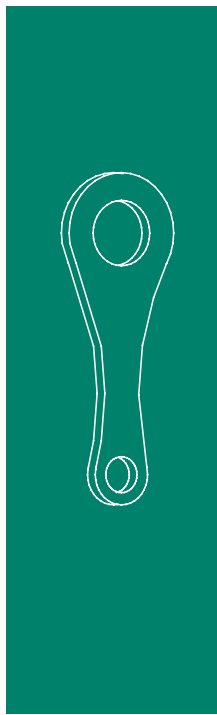


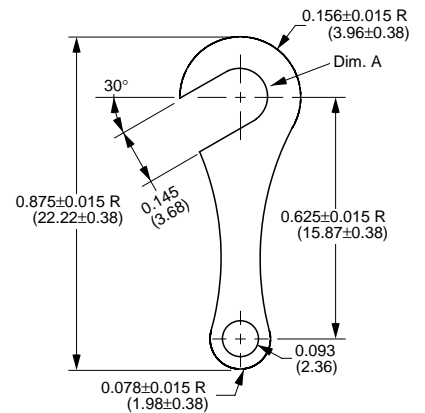
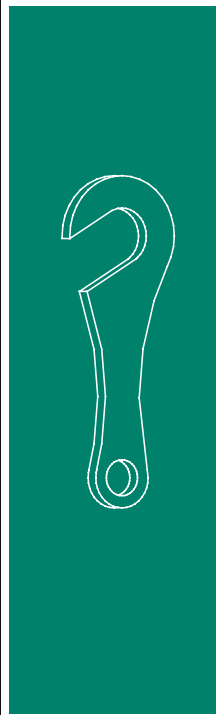
Part Number	Material Type	Finish Code	Inventory Type	Dim. 'A'
389-156	0.032" (0.81mm) Brass	0	Special	0.156" (3.96mm)
389-218	0.032" (0.81mm) Brass	0	Stock	0.218" (5.54mm)



Part Number	Material Type	Finish Code	Inventory Type	Dim. 'A'
334-250	0.020" (0.51mm) Copper	0	Stock	0.250" (6.35mm)
334-375	0.020" (0.51mm) Copper	0	Stock	0.375" (9.53mm)



Part Number	Material Type	Finish Code	Inventory Type	Dim. 'A'
46-120	0.020" (0.51mm) Brass	0	Stock	0.120" (3.05mm)
46-144	0.020" (0.51mm) Brass	0	Stock	0.144" (3.66mm)
46-169	0.020" (0.51mm) Brass	0	Stock	0.169" (4.29mm)
46-196	0.020" (0.51mm) Brass	0	Stock	0.196" (4.98mm)



Part Number	Material Type	Finish Code	Inventory Type
405-144	0.020" (0.51mm) Brass	0	Stock