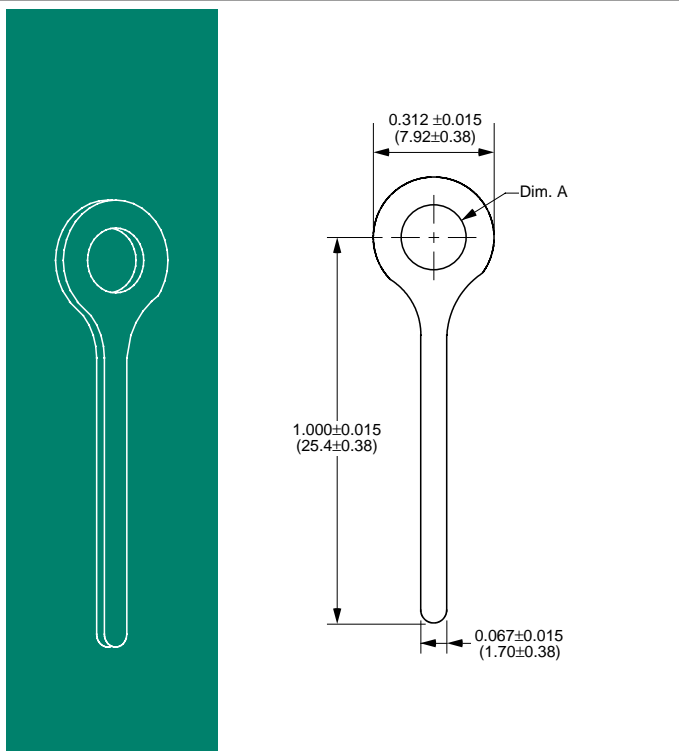
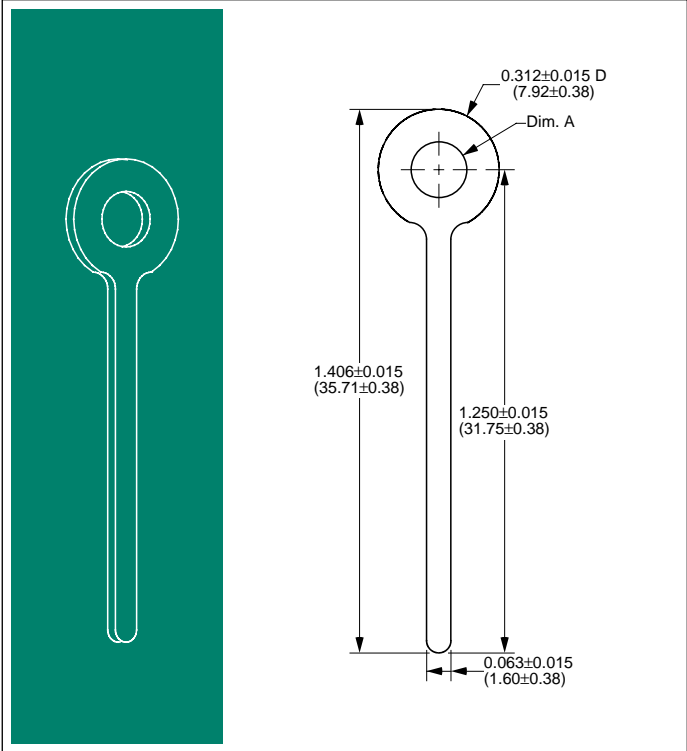


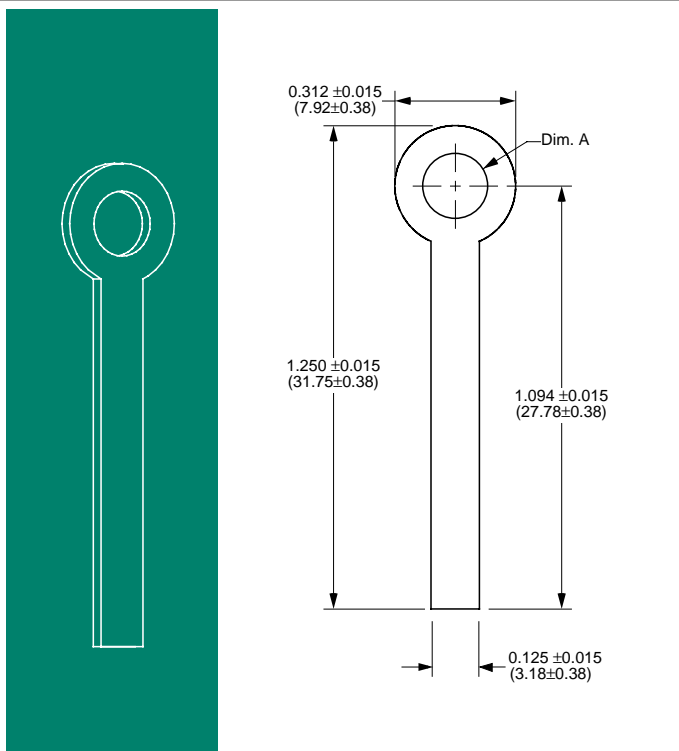
Solder Terminals



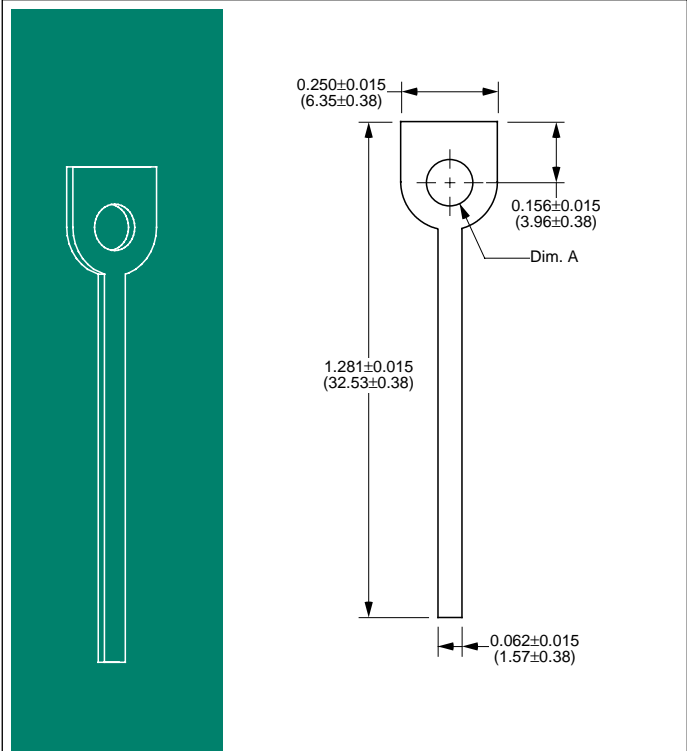
Part Number	Material Type	Finish Code	Inventory Type	Dim. 'A'
342-130	0.020" (0.51mm) Brass	0	Stock	0.130" (3.30mm)
342-168	0.020" (0.51mm) Brass	0	Stock	0.168" (4.27mm)



Part Number	Material Type	Finish Code	Inventory Type	Dim. 'A'
694-144	0.020" (0.51mm) Brass	0	Stock	0.144" (3.66mm)
694-169	0.020" (0.51mm) Brass	0	Special	0.169" (4.29mm)



Part Number	Material Type	Finish Code	Inventory Type	Dim. 'A'
20-144	0.020" (0.51mm) Brass	0	Stock	0.144" (3.66mm)
20-169	0.020" (0.51mm) Brass	0	Stock	0.169" (4.29mm)
20-196	0.020" (0.51mm) Brass	0	Stock	0.196" (4.98mm)



Part Number	Material Type	Finish Code	Inventory Type	Dim. 'A'
344-120	0.016" (0.41mm) Copper	0	Special	0.120" (3.05mm)