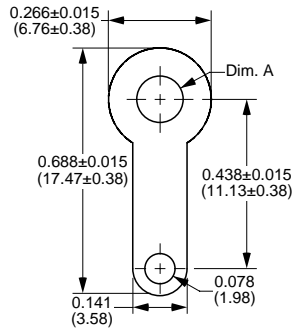
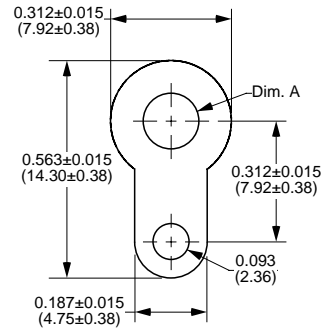


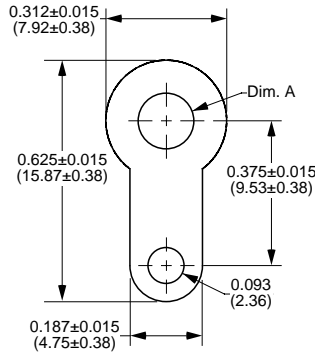
Solder Terminals



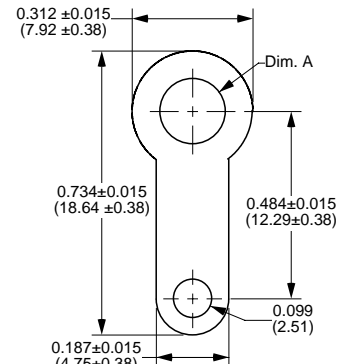
Part Number	Material Type	Finish Code	Inventory Type	Dim. 'A'
9-120	0.020" (0.51mm) Brass	0	Stock	0.120" (3.05mm)
9-144	0.020" (0.51mm) Brass	0	Stock	0.144" (3.66mm)
9-169	0.020" (0.51mm) Brass	0	Stock	0.169" (4.29mm)
9-196	0.020" (0.51mm) Brass	0	Stock	0.196" (4.98mm)



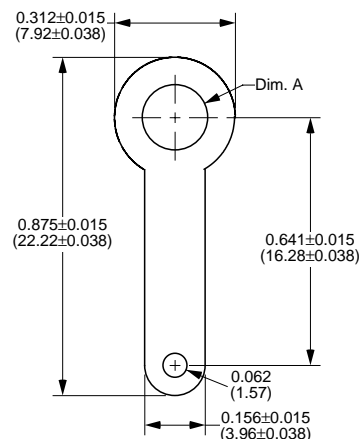
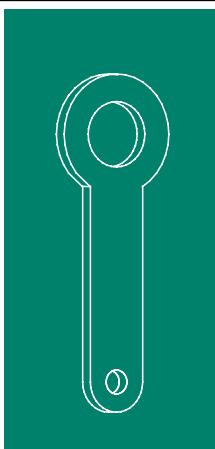
Part Number	Material Type	Finish Code	Inventory Type	Dim. 'A'
328-125	0.020" (0.51mm) Brass	0	Special	0.125" (3.18mm)
328-144	0.020" (0.51mm) Brass	0	Stock	0.144" (3.66mm)
328-156	0.020" (0.51mm) Brass	0	Special	0.156" (3.96mm)



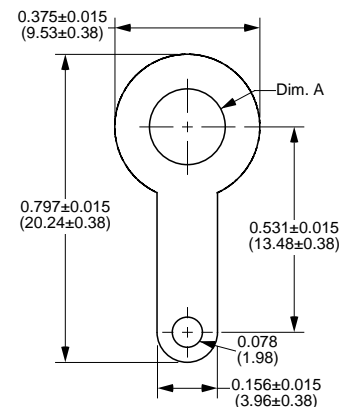
Part Number	Material Type	Finish Code	Inventory Type	Dim. 'A'
619-120	0.018" (0.46mm) Copper	0	Stock	0.120" (3.05mm)
619-144	0.018" (0.46mm) Copper	0	Special	0.144" (3.66mm)
619-169	0.018" (0.46mm) Copper	0	Special	0.169" (4.29mm)
619-196	0.018" (0.46mm) Copper	0	Special	0.196" (4.98mm)
MS 35431-1	0.018" (0.46mm) Copper	MS	Stock	0.115"/0.127" (2.92mm/3.23mm)
MS 35431-3	0.018" (0.46mm) Copper	MS	Stock	0.141"/0.153" (3.58mm/3.89mm)
MS 35431-5	0.018" (0.46mm) Copper	MS	Stock	0.167"/0.179" (4.24mm/4.55mm)
MS 35431-7	0.018" (0.46mm) Copper	MS	Stock	0.193"/0.205" (4.90mm/5.21mm)



Part Number	Material Type	Finish Code	Inventory Type	Dim. 'A'
2A-169	0.016" (0.41mm) Copper	0	Stock	0.169" (4.29mm)
2A-196	0.016" (0.41mm) Copper	0	Stock	0.196" (4.98mm)



Part Number	Material Type	Finish Code	Inventory Type	Dim. 'A'
141-144	0.020" (0.51mm) Brass	0	Stock	0.144" (3.66mm)
141-169	0.020" (0.51mm) Brass	0	Stock	0.169" (4.29mm)
141-196	0.020" (0.51mm) Brass	0	Stock	0.196" (4.98mm)



Part Number	Material Type	Finish Code	Inventory Type	Dim. 'A'
29-196	0.020" (0.51mm) Brass	0	Stock	0.196" (4.98mm)
29-250	0.020" (0.51mm) Brass	0	Stock	0.250" (6.35mm)
MS 35431-9	0.020" (0.51mm) Brass	MS	Stock	0.260" (6.60mm)