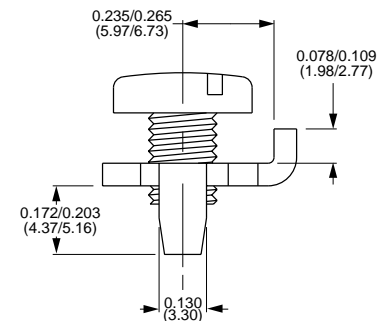
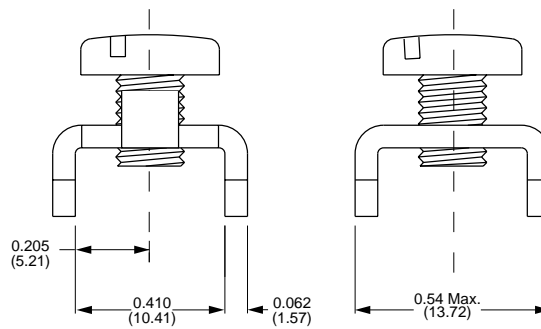
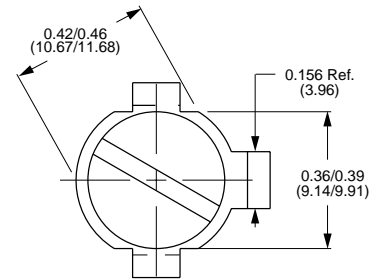
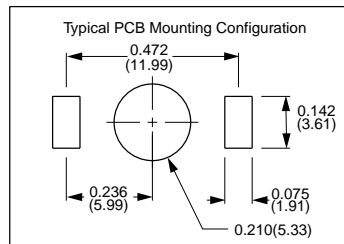
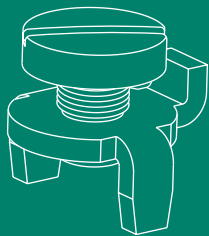


Part Number	Material Type	Finish Code	Screw Type	Screw Position	Inventory Type
079-1014	Brass	0	Magnetic Stainless Steel Binding Head 1/4" (6.35mm) x 6-32	Inserted, Staked and Backed-Out	Stock
731	Brass	0	No Screw	No Screw	Stock
934 ST.S	Brass	0	Stainless Steel Binding Head 1/4" (6.35mm) x 6-32	Inserted, Staked and Backed-Out	Stock
1108	Brass	0	Stainless Steel Binding Head 1/4" (6.35mm) x 6-32	Inserted, Staked and Down	Stock



Part Number	Material Type	Finish Code	Screw Type	Screw Position	Inventory Type
928 No Screw*	Brass	0	No Screw	No Screw	Stock
928	Brass	0	Stainless Steel Binding Head 1/4" (6.35mm) x 10-32	Inserted, Staked and Backed-Out	Stock

*Note: Part also available with screw, unstaked (P/N 928 No Stake)