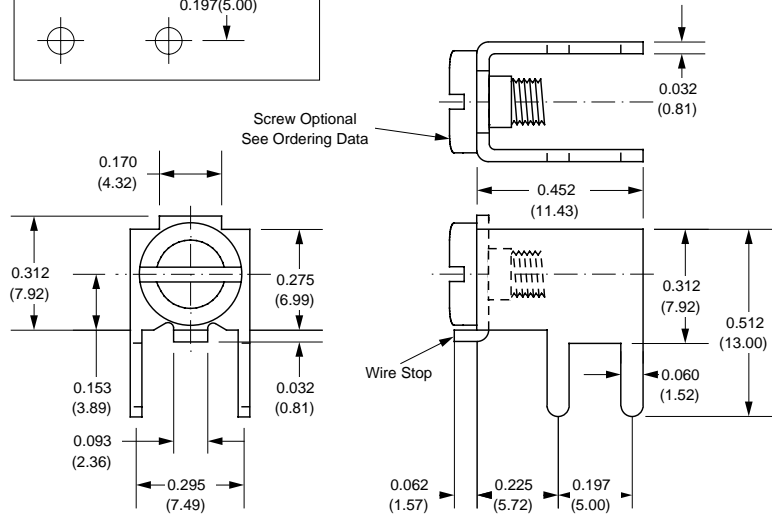
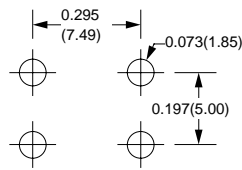
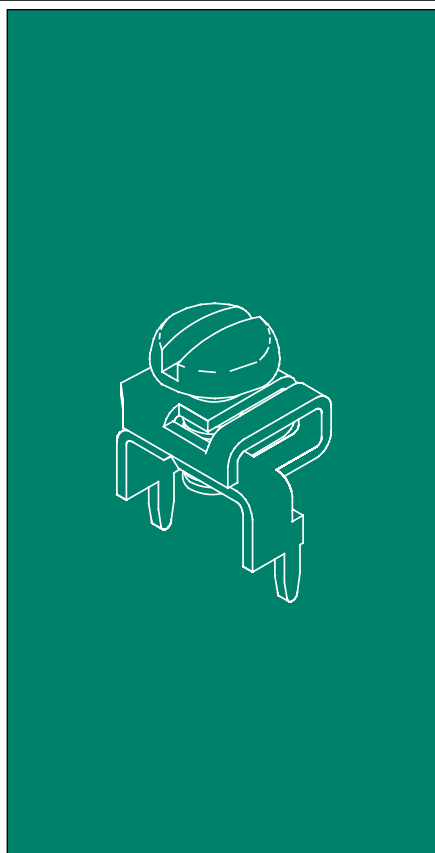


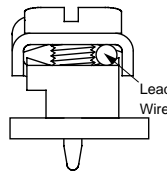
Typical PCB Mounting Hole Configuration



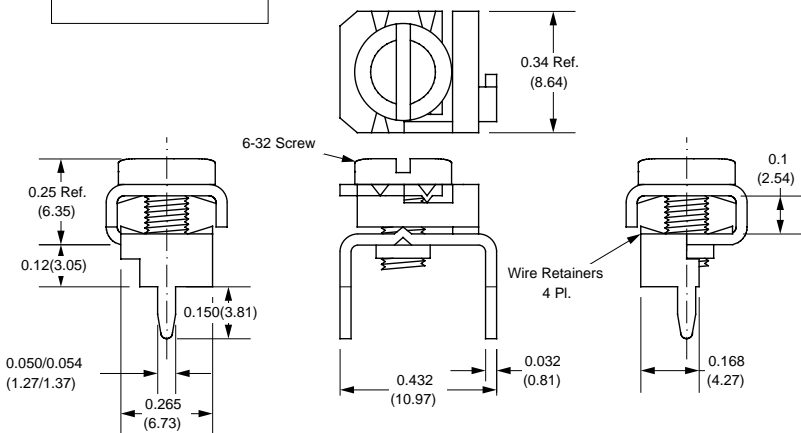
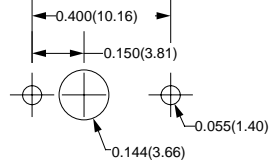
Part Number	Material Type	Finish Code	Screw Type	Screw Position	Wire Stop	Inventory Type
1116	Pre-plated Brass	11	No Screw	No Screw	Yes	Special
1116 ST.S	Pre-plated Brass	11	Stainless Steel Binding Head 1/4" (6.35mm) x 6-32	Fully Inserted	Yes	Stock
1117 ST.S	Pre-plated Brass	11	Stainless Steel Binding Head 1/4" (6.35mm) x 6-32	Fully Inserted	No	Stock



Clamp Down Condition



Typical PCB Mounting Configuration



Note: Hidden Surfaces Not Shown to Maintain Illustration Clarity

Part Number	Material Type	Finish Code	Screw Type	Screw Position	Inventory Type
1030	Brass	0	Stainless Steel Binding Head 5/16" (7.92mm) x 6-32	Inserted, Staked and Backed-Out	Stock