

.020  
[0.51]

.157  
[4.0]

.078  
[2.0]

.314  
[8.0]

.069  
[1.8]

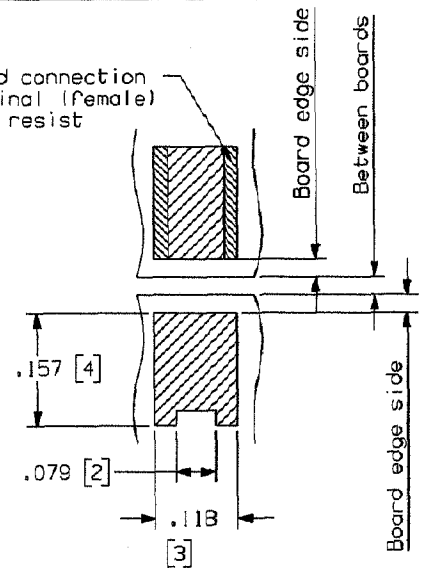
.453  
[11.5]

.945  
[24.0]

.134  
[3.4]

Recommended Solder Pad Geometry

Board connection terminal (female) side resist



RoHS COMPLIANT

MATERIAL	FINISH
COPPER, C1100R	100% PRE-TIN OVER COPPER FLASH

Zierick Product Related Recommendations are general guidelines only. Since each customer's design, process and application is different it is necessary that customers thoroughly test our products in specific applications.

**ZIERICK**

Radio Circle Drive  
Mount Kisco, New York 10549

SMD BOARD CONNECTION  
TERMINAL (Male)

THIS DOCUMENT AND THE CONFIDENTIAL INFORMATION CONTAINED HERE ARE THE PROPERTY OF ZIERICK MANUFACTURING CORPORATION AND MAY NOT BE USED IN WHOLE OR IN PART IN ANY WAY, OR COMMUNICATED TO ANY PARTY OTHER THAN THE RECIPIENT WITHOUT THE EXPRESS PRIOR WRITTEN CONSENT OF ZIERICK MANUFACTURING CORPORATION.

SD01699-31