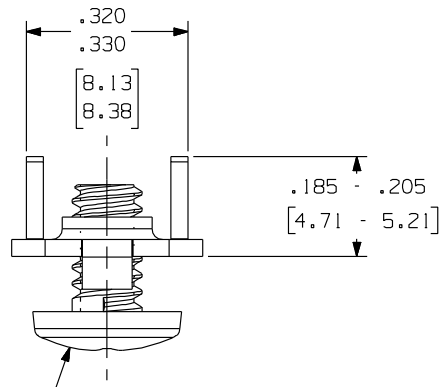


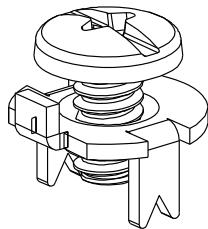
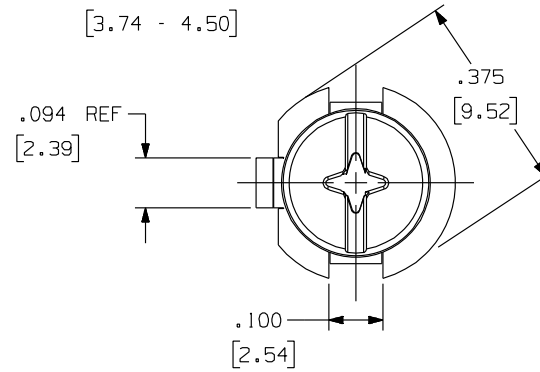
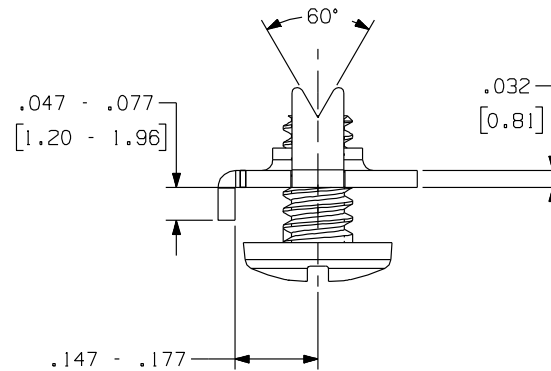
934 ST.SC

Rev.

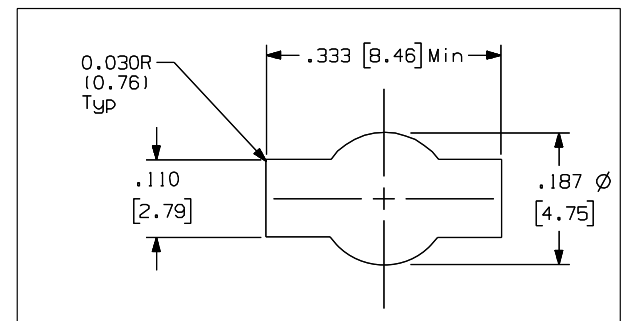
APPLICATION DRAWING



Stainless Steel  
 Combination Head Screw  
 1/4" (6.35mm) X 6-32 Screw  
 Inserted Staked and Backed Out



TYPICAL PCB  
 MOUNTING CONFIGURATION



RoHS COMPLIANT

Zierick Product Related Recommendations are general guidelines only. Since each customer's design, process and application is different it is necessary that customers thoroughly test our products in specific applications.

**ZIERICK**

Radio Circle Drive  
 Mount Kisco, New York 10549

BINDING POST  
 WITH COMBINATION  
 HEAD SCREW

THIS DOCUMENT AND THE CONFIDENTIAL INFORMATION CONTAINED HERE ARE THE PROPERTY OF ZIERICK MANUFACTURING CORPORATION AND MAY NOT BE USED IN WHOLE OR IN PART IN ANY WAY, OR COMMUNICATED TO ANY PARTY OTHER THAN THE RECIPIENT WITHOUT THE EXPRESS PRIOR WRITTEN CONSENT OF ZIERICK MANUFACTURING CORPORATION.

934 ST.SC