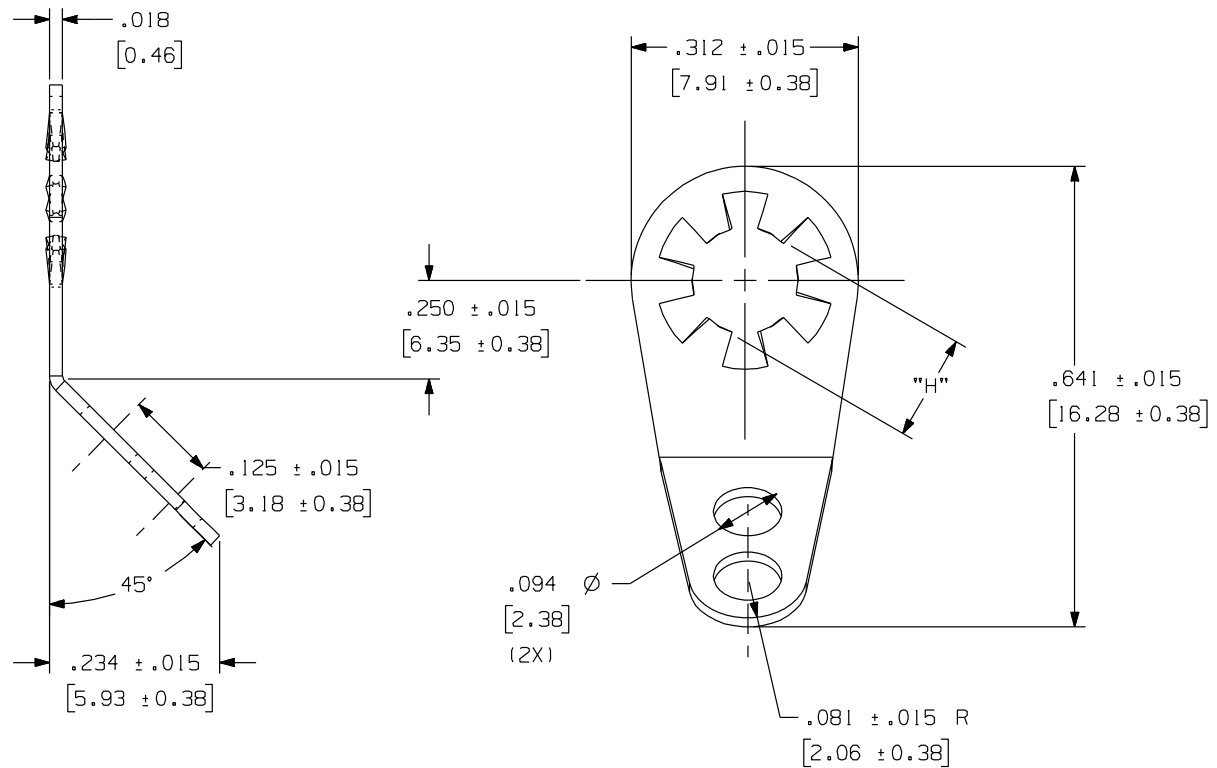


805-XXX,
MS77068-X

Rev.
I

APPLICATION DRAWING



MATERIAL
$.018$ (0.46mm) BRONZE

PART #	"H"	FINISH
805-120	$.120''$ (3.05mm)	100% MATTE TIN OVER COPPER
805-120-1	$.120''$ (3.05mm)	60% TIN OVER 40% LEAD
805-120-2	$.120''$ (3.05mm)	100% HOT TIN
805-196	$.196''$ (4.98mm)	100% MATTE TIN OVER COPPER
805-196-1	$.196''$ (4.98mm)	60% TIN OVER 40% LEAD
MS77068-1	$.120''$ (3.05mm)	100% MATTE TIN OVER COPPER
MS77068-4	$.196''$ (4.98mm)	100% MATTE TIN OVER COPPER

Zierick Product Related Recommendations are general guidelines only. Since each customer's design, process and application is different it is necessary that customers thoroughly test our products in specific applications.

ZIERICK

Radio Circle Drive
Mount Kisco, New York 10549

LOCKWASHER TERMINAL

THIS DOCUMENT AND THE CONFIDENTIAL INFORMATION CONTAINED HERE ARE THE PROPERTY OF ZIERICK MANUFACTURING CORPORATION AND MAY NOT BE USED IN WHOLE OR IN PART IN ANY WAY, OR COMMUNICATED TO ANY PARTY OTHER THAN THE RECIPIENT WITHOUT THE EXPRESS PRIOR WRITTEN CONSENT OF ZIERICK MANUFACTURING CORPORATION.

805-XXX, MS77068-X

I