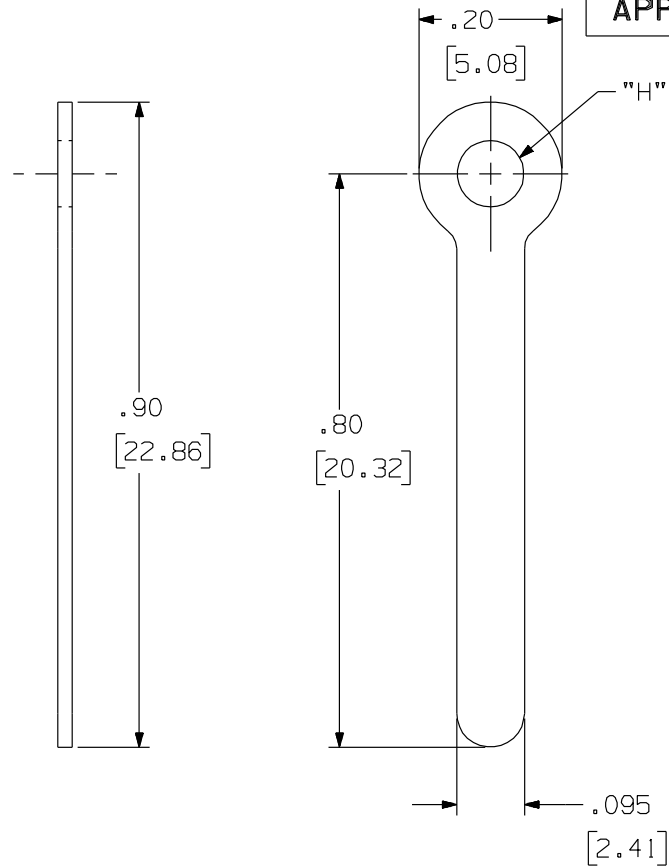
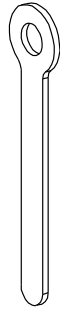


598-XXXX,
756-XXX

Rev.
E

APPLICATION DRAWING



PART NO.	"H"	MATERIAL	FINISH
598-064	.064 (1.63mm)	.020 (0.51mm) CDA 1100	100% TIN OVER COPPER
598-093	.093 (2.36mm)	.020 (0.51mm) CDA 1100	100% TIN OVER COPPER
598-093-1	.093 (2.36mm)	.020 (0.51mm) CDA 1100	HOT SOLDER DIP
756-093	.093 (2.36mm)	.020 (0.51mm) CDA 26000	100% TIN OVER COPPER
756-093-9	.093 (2.36mm)	.020 (0.51mm) CDA 26000	PLAIN

RoHS COMPLIANT

Zierick Product Related Recommendations are general guidelines only. Since each customer's design, process and application is different it is necessary that customers thoroughly test our products in specific applications.

ZIERICK

Radio Circle Drive
Mount Kisco, New York 10549

FLAT SOLDER TERMINAL

THIS DOCUMENT AND THE CONFIDENTIAL INFORMATION CONTAINED HERE ARE THE PROPERTY OF ZIERICK MANUFACTURING CORPORATION AND MAY NOT BE USED IN WHOLE OR IN PART IN ANY WAY, OR COMMUNICATED TO ANY PARTY OTHER THAN THE RECIPIENT WITHOUT THE EXPRESS PRIOR WRITTEN CONSENT OF ZIERICK MANUFACTURING CORPORATION.

598-XXXX, 756-XXX

E