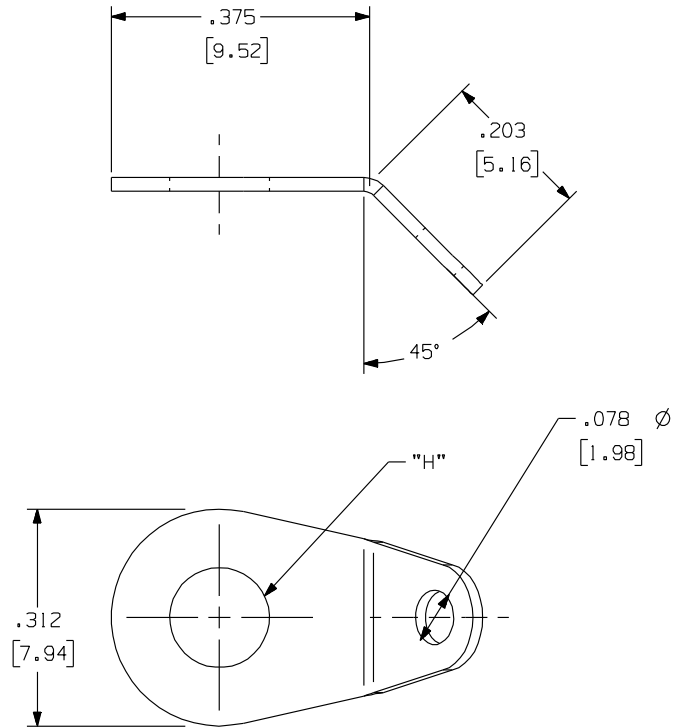


322-XXX

Rev.

C

APPLICATION DRAWING



PART No.	"H"	FINISH	
322-144	.144" (3.66mm)	100% MATTE TIN OVER COPPER	
322-144-1	.144" (3.66mm)	hOT SOLDER DIP (60% TIN 40% LEAD)	
322-156	.156" (3.96mm)	100% MATTE TIN OVER COPPER	
322-156-1	.156" (3.96mm)	hOT SOLDER DIP (60% TIN 40% LEAD)	
MATERIAL	322-169	.169" (4.29mm)	100% MATTE TIN OVER COPPER
.020" (0.51mm) BRASS	322-175	.175" (4.45mm)	100% MATTE TIN OVER COPPER

RoHS COMPLIANT

Zierick Product Related Recommendations are general guidelines only. Since each customer's design, process and application is different it is necessary that customers thoroughly test our products in specific applications.

ZIERICK

Radio Circle Drive
Mount Kisco, New York 10549

ANGLE SOLDER TERMINAL

THIS DOCUMENT AND THE CONFIDENTIAL INFORMATION CONTAINED HERE ARE THE PROPERTY OF ZIERICK MANUFACTURING CORPORATION AND MAY NOT BE USED IN WHOLE OR IN PART IN ANY WAY, OR COMMUNICATED TO ANY PARTY OTHER THAN THE RECIPIENT WITHOUT THE EXPRESS PRIOR WRITTEN CONSENT OF ZIERICK MANUFACTURING CORPORATION.

322-XXX

C