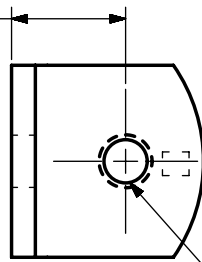


260-XXX

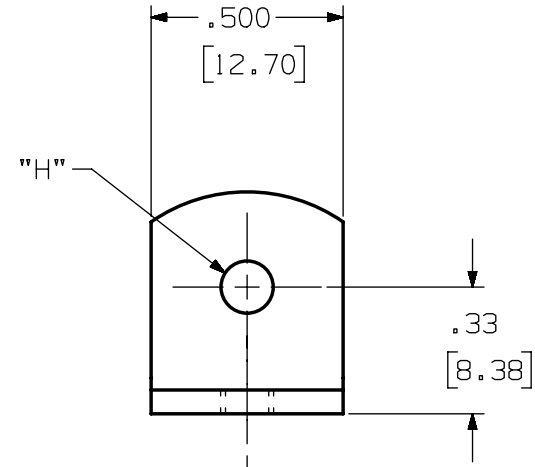
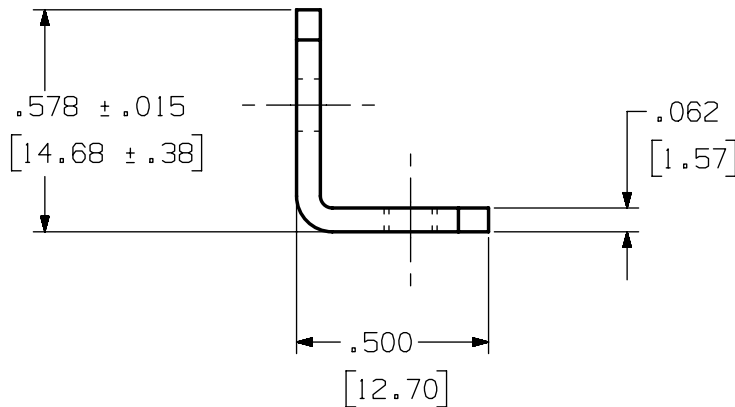
Rev.
C1

APPLICATION DRAWING

$.297 \pm .010$
[7.54 ± .25]



#6-32 FORMING TAP



PART #	"H"1	FINISH
260-136	.136 (3.45mm)	ELECTRO-TIN PL
260-136-2	.136 (3.45mm)	ZINC
260-165	.165 (4.19mm)	ELECTRO-TIN PL
260-215	.215 (5.46mm)	ELECTRO-TIN PL

MATERIAL
.062 (1.57mm) STEEL

RoHS COMPLIANT

Zierick Product Related Recommendations are general guidelines only. Since each customer's design, process and application is different it is necessary that customers thoroughly test our products in specific applications.

ZIERICK

Radio Circle Drive
Mount Kisco, New York 10549

THIS DOCUMENT AND THE CONFIDENTIAL INFORMATION CONTAINED HERE ARE THE PROPERTY OF ZIERICK MANUFACTURING CORPORATION AND MAY NOT BE USED IN WHOLE OR IN PART IN ANY WAY, OR COMMUNICATED TO ANY PARTY OTHER THAN THE RECIPIENT WITHOUT THE EXPRESS PRIOR WRITTEN CONSENT OF ZIERICK MANUFACTURING CORPORATION.

ANGLE BRACKET

260-XXX

C1