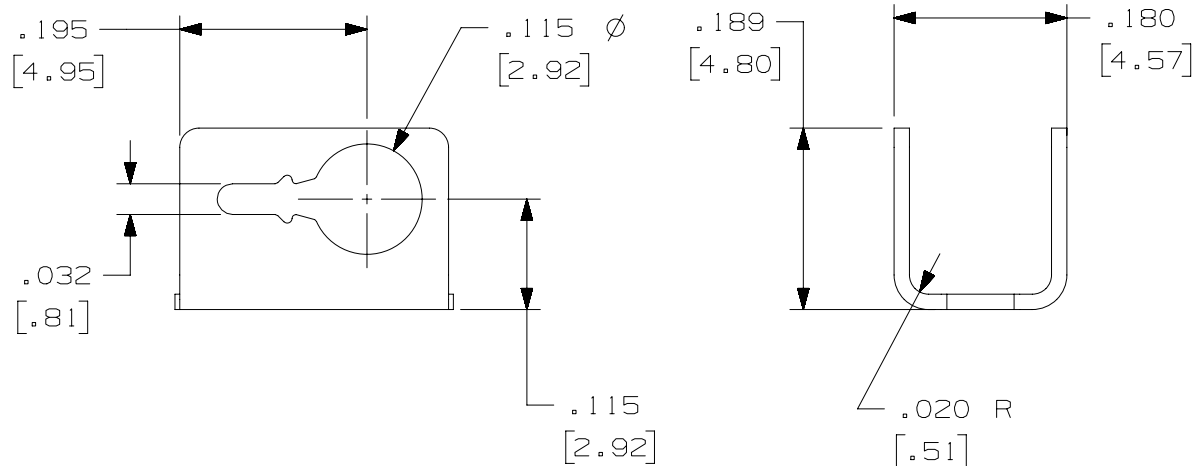
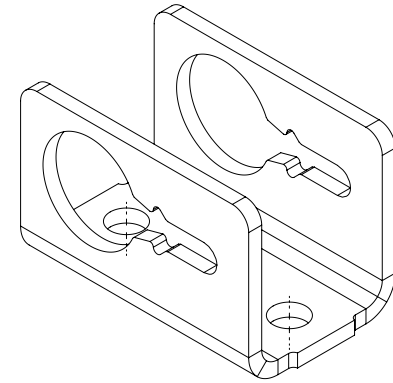
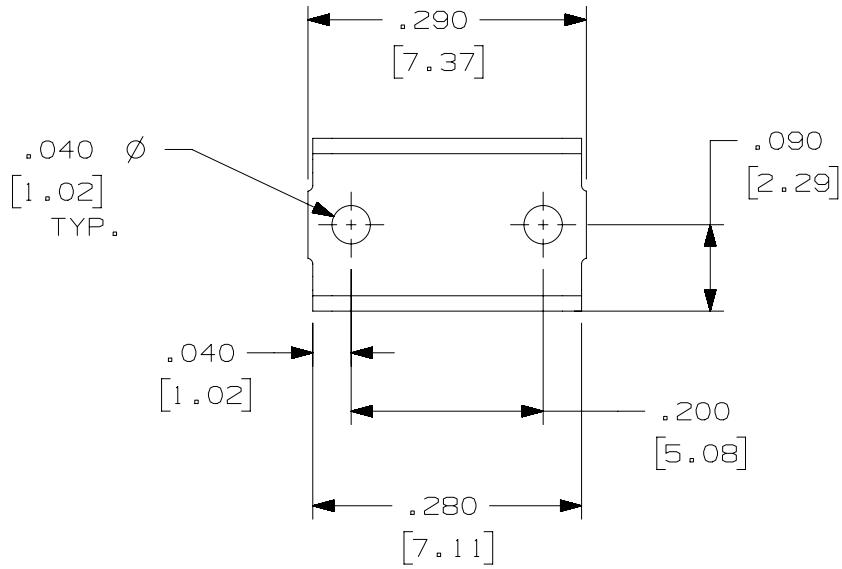
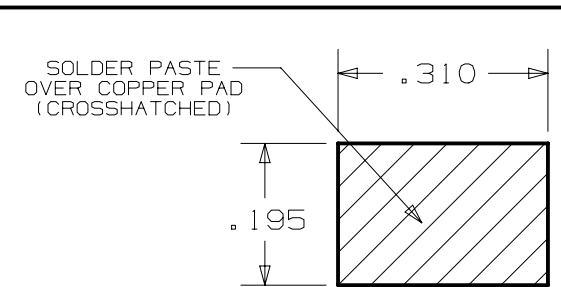


THIS IS A PROPRIETARY PRODUCT
OF ZIERICK MFG. CORP.
PATENT #9,255,079 B2



RECOMMENDED SOLDER PAD GEOMETRY



RoHS COMPLIANT

MATERIAL	FINISH
.016 PH. BZ. CDA	MATT ACID TIN

Zierick Product Related Recommendations are general guidelines only. Since each customer's design, process and application is different it is necessary that customers thoroughly test our products in specific applications.



Radio Circle Drive
Mount Kisco, New York 10549

THIS DOCUMENT AND THE CONFIDENTIAL INFORMATION CONTAINED HERE ARE THE PROPERTY OF ZIERICK MANUFACTURING CORPORATION AND MAY NOT BE USED IN WHOLE OR IN PART IN ANY WAY, OR COMMUNICATED TO ANY PARTY OTHER THAN THE RECIPIENT WITHOUT THE EXPRESS PRIOR WRITTEN CONSENT OF ZIERICK MANUFACTURING CORPORATION.

**KEYHOLE CONN.
FOR 18 GAUGE WIRE**