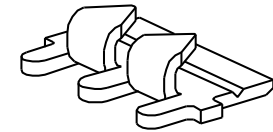
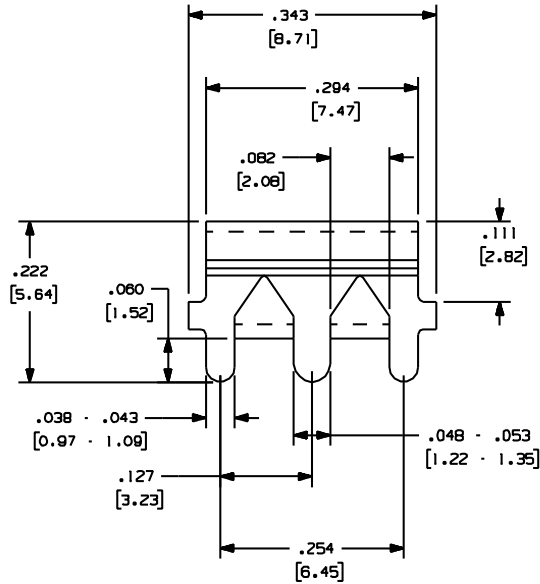
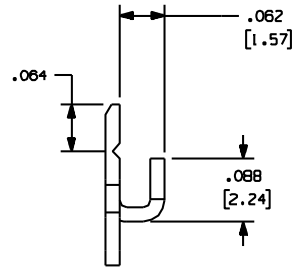


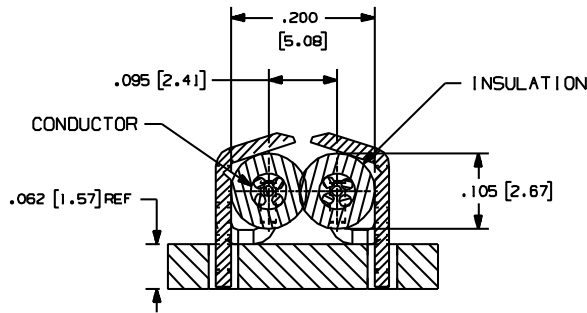
1302

Rev.

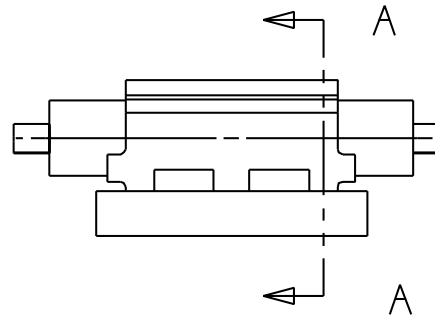
APPLICATION DRAWING



STAMPING STRIP DETAIL



SECTION A - A



SECTION DETAIL AND SUGGESTED OUTER DIMENSION ZIP WIRE TO USE

RoHS COMPLIANT

MATERIAL	FINISH
.020 CDA-260 BRASS	150 MICRO-INCH MATTE TIN OVER 100 MICRO-INCH COPPER

Zierick Product Related Recommendations are general guidelines only. Since each customer's design, process and application is different it is necessary that customers thoroughly test our products in specific applications.

ZIERICK

Radio Circle Drive
Mount Kisco, New York 10549

SMT ZIP CORD PIERCING
CONNECTOR ASSY

THIS DOCUMENT AND THE CONFIDENTIAL INFORMATION CONTAINED HERE ARE THE PROPERTY OF ZIERICK MANUFACTURING CORPORATION AND MAY NOT BE USED IN WHOLE OR IN PART IN ANY WAY, OR COMMUNICATED TO ANY PARTY OTHER THAN THE RECIPIENT WITHOUT THE EXPRESS PRIOR WRITTEN CONSENT OF ZIERICK MANUFACTURING CORPORATION.

1302