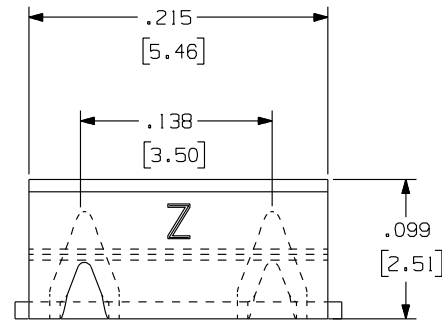
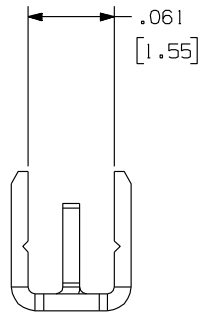
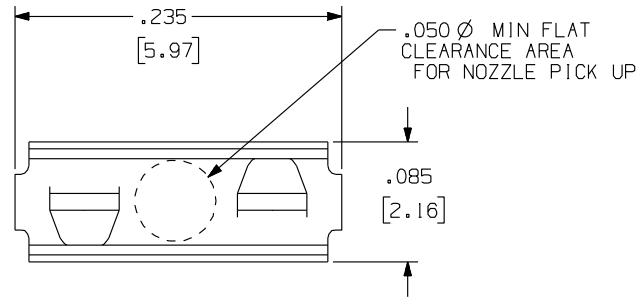


1295

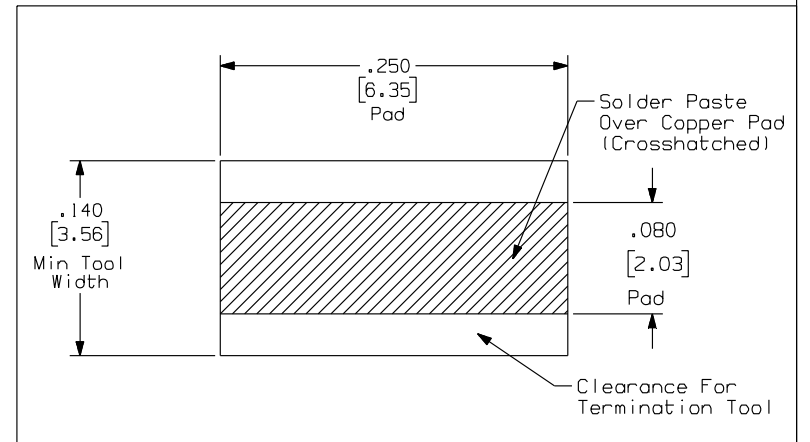
Rev.

APPLICATION DRAWING

THIS PART IS A PROPRIETARY PRODUCT OF ZIERICK MFG. CORP. PATENT #7,591,666 B2



Recommended Solder Pad Geometry



Note: For side by side placement consult factory for center-to-center spacing.

MATERIAL	FINISH
.012 CDA 260 PREPLATED TIN	150 MICRO-INCHES MATTE TIN FINISH OVER 100 MICRO-INCH COPPER UNDERPLATE

RoHS COMPLIANT

Zierick Product Related Recommendations are general guidelines only. Since each customer's design, process and application is different it is necessary that customers thoroughly test our products in specific applications.

ZIERICK

Radio Circle Drive
Mount Kisco, New York 10549

22 AWG SMT CRIMP RECEPTACLE
LOOSE PIECE

THIS DOCUMENT AND THE CONFIDENTIAL INFORMATION CONTAINED HERE ARE THE PROPERTY OF ZIERICK MANUFACTURING CORPORATION AND MAY NOT BE USED IN WHOLE OR IN PART IN ANY WAY, OR COMMUNICATED TO ANY PARTY OTHER THAN THE RECIPIENT WITHOUT THE EXPRESS PRIOR WRITTEN CONSENT OF ZIERICK MANUFACTURING CORPORATION.

1295