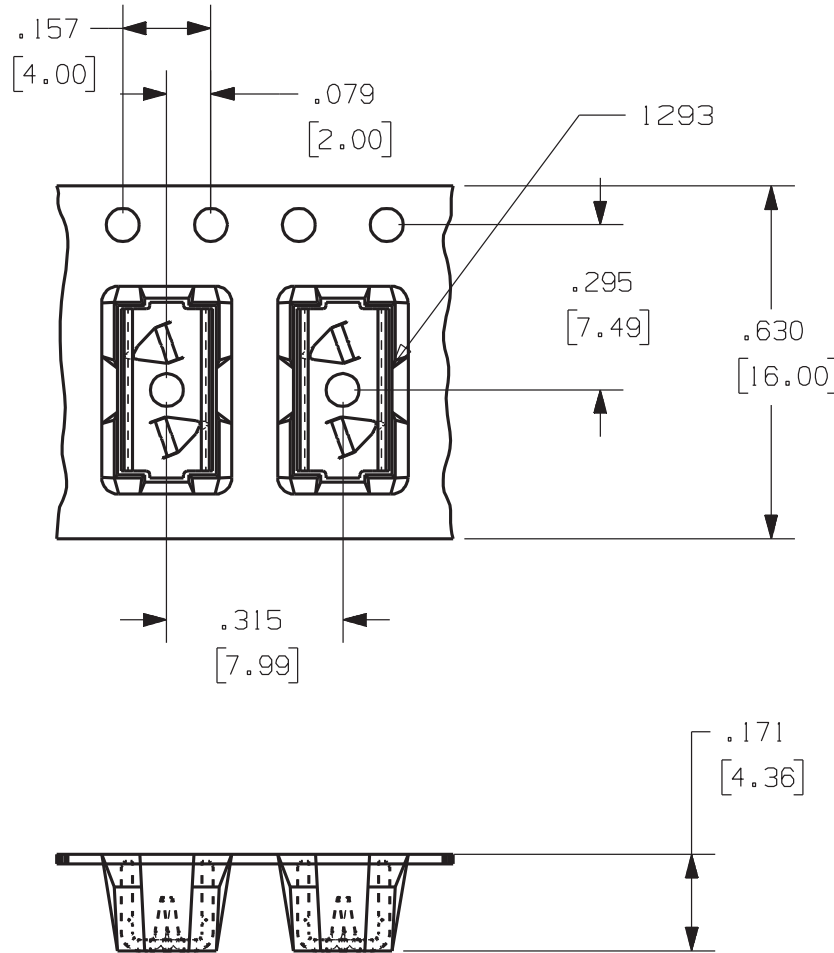


1293T

Rev.  
C

**APPLICATION DRAWING**



THIS PART IS A PROPRIETARY PRODUCT OF ZIERICK MFG. CORP. PATENT #7,591,666 B2

NOTE:  
STANDARD 16mm TAPE FEEDER

| PART NO. | REEL SIZE        | QTY PER REEL     |
|----------|------------------|------------------|
| 1293T    | 13" PLASTIC REEL | 1,900 PCS        |
| 1293T-SR | 7" PLASTIC REEL  | 100 PCS PER REEL |

RoHS COMPLIANT

Zierick Product Related Recommendations are general guidelines only. Since each customer's design, process and application is different it is necessary that customers thoroughly test our products in specific applications.

**ZIERICK**

Radio Circle Drive  
Mount Kisco, New York 10549

SMT PIERCING  
CRIMP TERMINAL  
IN TAPE

THIS DOCUMENT AND THE CONFIDENTIAL INFORMATION CONTAINED HERE ARE THE PROPERTY OF ZIERICK MANUFACTURING CORPORATION AND MAY NOT BE USED IN WHOLE OR IN PART IN ANY WAY, OR COMMUNICATED TO ANY PARTY OTHER THAN THE RECIPIENT WITHOUT THE EXPRESS PRIOR WRITTEN CONSENT OF ZIERICK MANUFACTURING CORPORATION.

1293T

C