

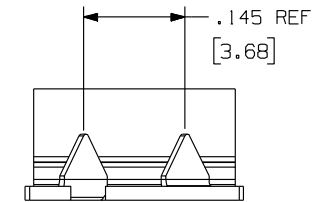
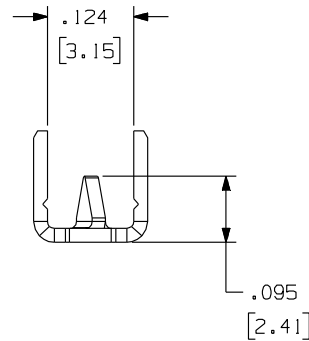
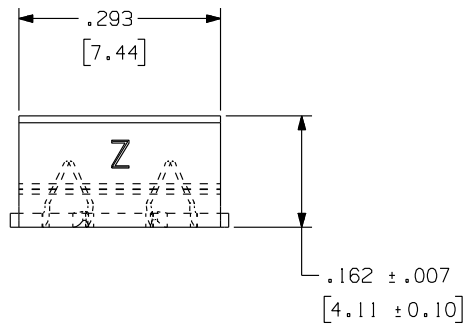
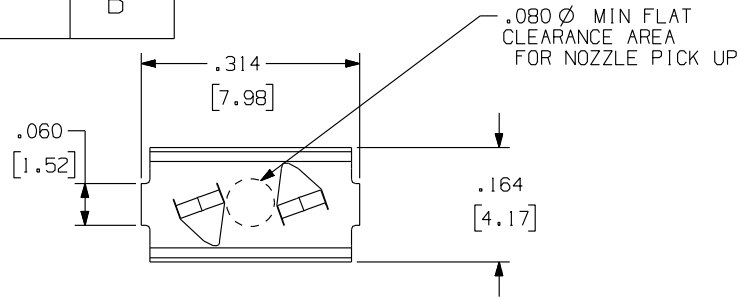
1293

Rev.
B

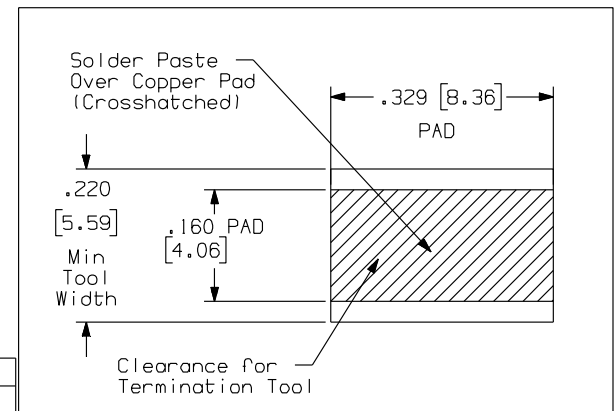
APPLICATION DRAWING

PATENT PENDING

THIS PART IS A PROPRIETARY PRODUCT OF ZIERICK MFG. CORP. PATENT #7,591,666 B2



Recommended Solder Pad Geometry



MATERIAL	FINISH
.020 CDA 2600 PRE-PLATED BRASS	100% TIN OVER COPPER

Note: For side by side placement consult factory for center-to-center spacing.

RoHS COMPLIANT

Zierick Product Related Recommendations are general guidelines only. Since each customer's design, process and application is different it is necessary that customers thoroughly test our products in specific applications.

ZIERICK

Radio Circle Drive
Mount Kisco, New York 10549

SMT CRIMP
PIERCING TERMINAL

THIS DOCUMENT AND THE CONFIDENTIAL INFORMATION CONTAINED HERE ARE THE PROPERTY OF ZIERICK MANUFACTURING CORPORATION AND MAY NOT BE USED IN WHOLE OR IN PART IN ANY WAY, OR COMMUNICATED TO ANY PARTY OTHER THAN THE RECIPIENT WITHOUT THE EXPRESS PRIOR WRITTEN CONSENT OF ZIERICK MANUFACTURING CORPORATION.

1293

B