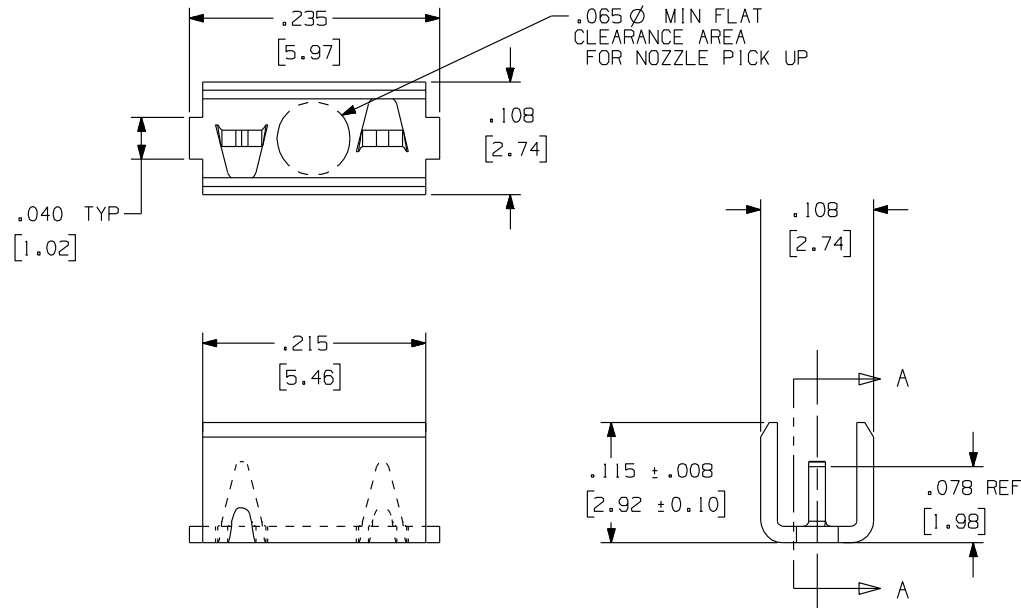


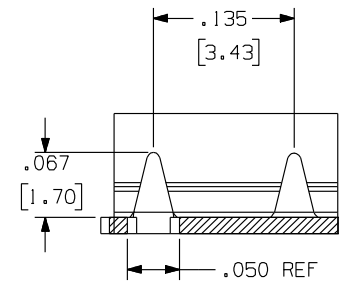
1286

Rev.
E

APPLICATION DRAWING

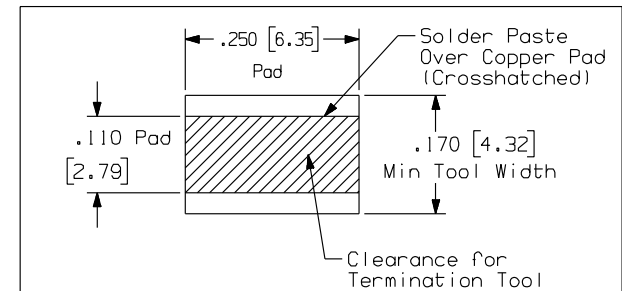


THIS PART IS A PROPRIETARY PRODUCT OF ZIERICK MFG. CORP. PATENT #7,591,666 B2



SECTION A-A

Recommended Solder Pad Geometry



MATERIAL
.016 CDA 260 BRASS PRE-PLATED TIN OVER COPPER

RoHS COMPLIANT

Zierick Product Related Recommendations are general guidelines only. Since each customer's design, process and application is different it is necessary that customers thoroughly test our products in specific applications.

ZIERICK

Radio Circle Drive
Mount Kisco, New York 10549

SMT PIERCING
CRIMP TERMINAL

THIS DOCUMENT AND THE CONFIDENTIAL INFORMATION CONTAINED HERE ARE THE PROPERTY OF ZIERICK MANUFACTURING CORPORATION AND MAY NOT BE USED IN WHOLE OR IN PART IN ANY WAY, OR COMMUNICATED TO ANY PARTY OTHER THAN THE RECIPIENT WITHOUT THE EXPRESS PRIOR WRITTEN CONSENT OF ZIERICK MANUFACTURING CORPORATION.

1286

E