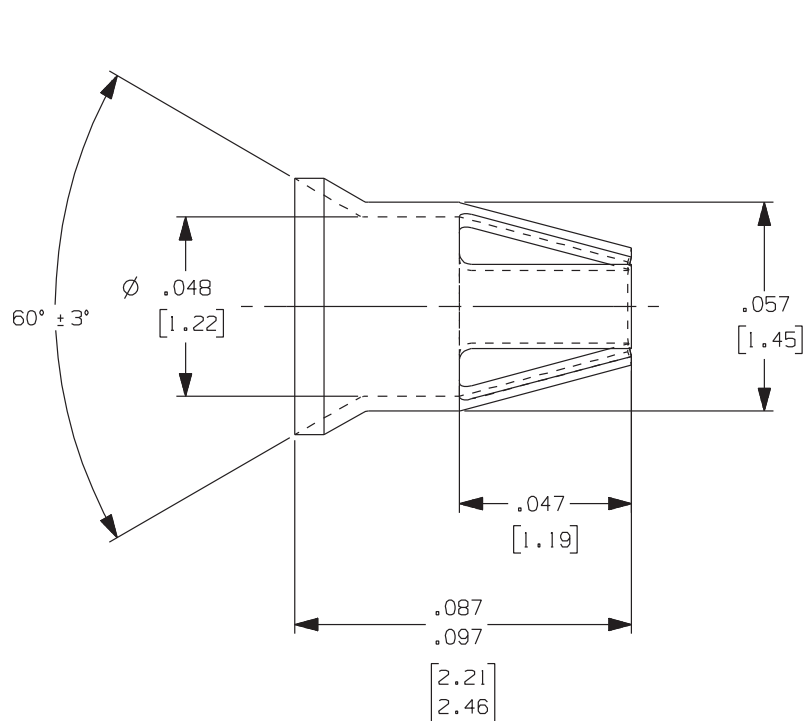


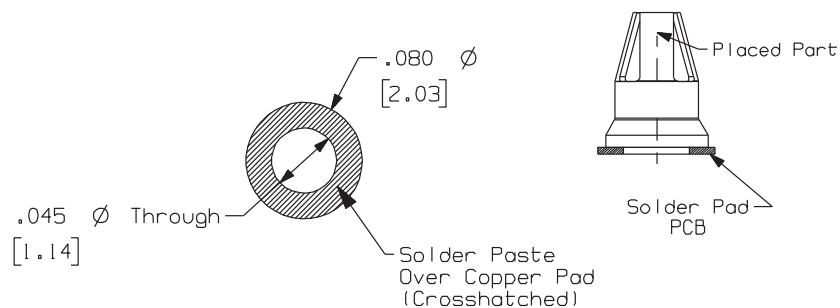
1260

Rev.
C

APPLICATION DRAWING



Recommended Solder Pad Geometry



MATERIAL	FINISH
BERYLLIUM COPPER .005 REF.	100-200 MICROINCH BRIGHT TIN PER MIL-T-10727, TYPE I OVER 10-40 MICROINCH COPPER PER MIL-C-14550

RoHS COMPLIANT

Zierick Product Related Recommendations are general guidelines only. Since each customer's design, process and application is different it is necessary that customers thoroughly test our products in specific applications.

ZIERICK

Radio Circle Drive
Mount Kisco, New York 10549

SMT SPRING SOCKET CONTACT FOR
.025 SQUARE OR A .027 - .033 DIA. LEAD

THIS DOCUMENT AND THE CONFIDENTIAL INFORMATION CONTAINED HERE ARE THE PROPERTY OF ZIERICK MANUFACTURING CORPORATION AND MAY NOT BE USED IN WHOLE OR IN PART IN ANY WAY, OR COMMUNICATED TO ANY PARTY OTHER THAN THE RECIPIENT WITHOUT THE EXPRESS PRIOR WRITTEN CONSENT OF ZIERICK MANUFACTURING CORPORATION.

1260

C