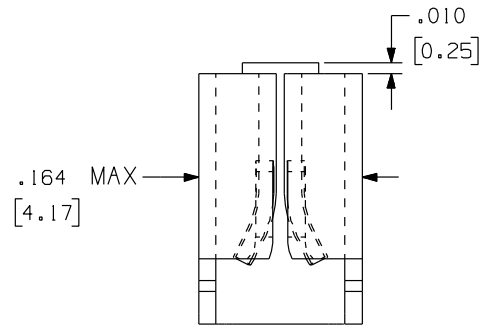
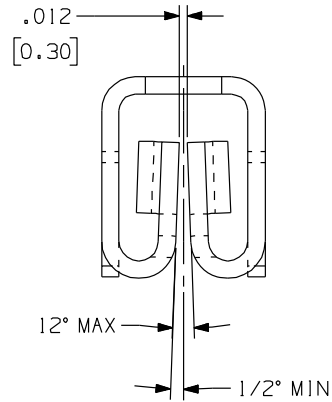
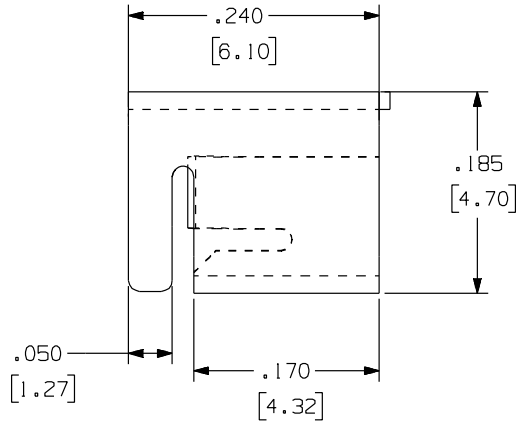


1238

Rev.
D2

LAST UPDATED:
04/25/17

APPLICATION DRAWING

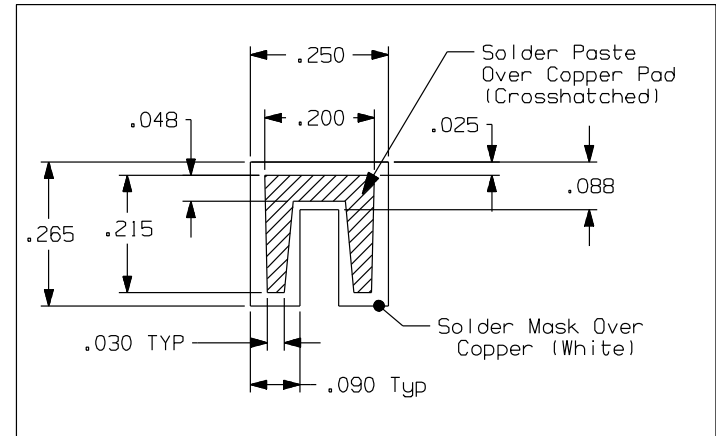


.000150" (.0038mm) 100% MATTE TIN
OVER .000100" (.0025mm) COPPER

MATERIAL	FINISH
.016 BRASS	100% TIN OVER COPPER

TOLERANCES:
.XXX: ±.005 (±.12)
.XX: ±.01 (±.25)

Recommended Solder Pad Geometry



RoHS COMPLIANT

Zierick Product Related Recommendations are general guidelines only. Since each customer's design, process and application is different it is necessary that customers thoroughly test our products in specific applications.

ZIERICK

Radio Circle Drive
Mount Kisco, New York 10549

SMT UNIVERSAL TAB RECEPTACLE
BOTTOM ENTRY
OR HORIZONTAL ENTRY

THIS DOCUMENT AND THE CONFIDENTIAL INFORMATION CONTAINED HERE ARE THE PROPERTY OF ZIERICK MANUFACTURING CORPORATION AND MAY NOT BE USED IN WHOLE OR IN PART IN ANY WAY, OR COMMUNICATED TO ANY PARTY OTHER THAN THE RECIPIENT WITHOUT THE EXPRESS PRIOR WRITTEN CONSENT OF ZIERICK MANUFACTURING CORPORATION.

1238

D2