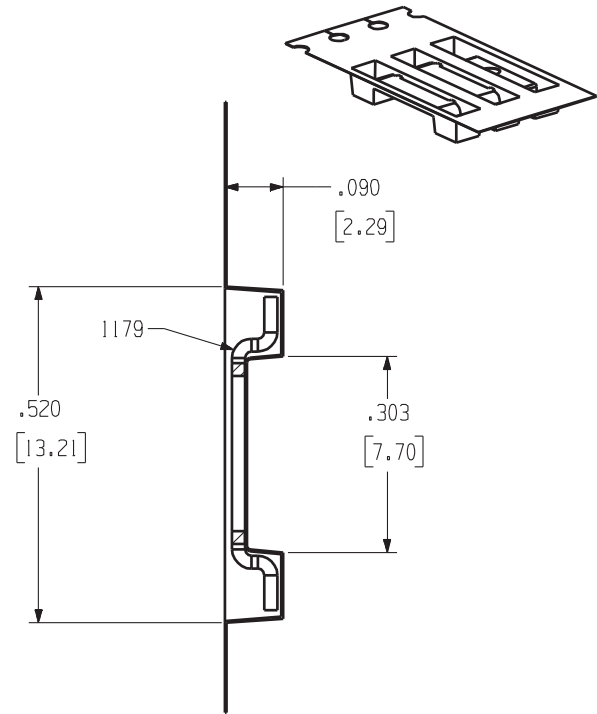
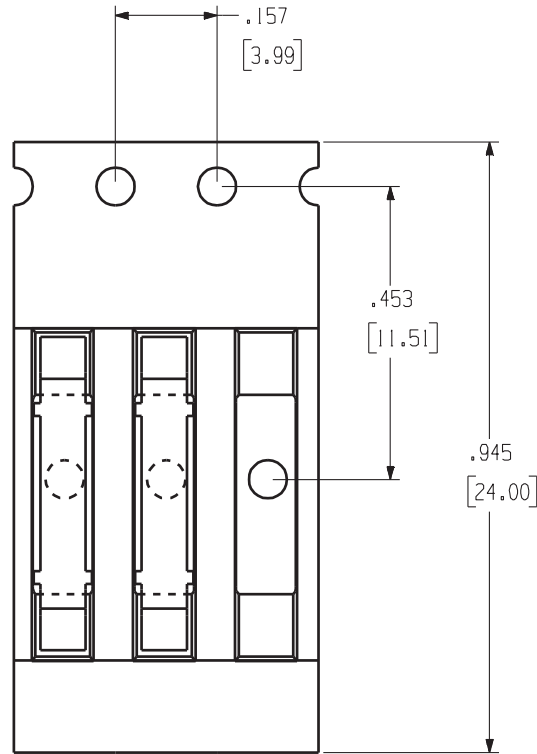


1179T-XX

Rev.  
F

**APPLICATION DRAWING**



24mm TAPE

PART NO	FINISH
1179T	100% TIN
1179T SP	.000200" MATT TIN OVER .000080" NICKEL
1179T-SR	100% TIN
1179T-14	0.000005" GOLD OVER 0.000050" NICKEL

RoHS COMPLIANT

Zierick Product Related Recommendations are general guidelines only. Since each customer's design, process and application is different it is necessary that customers thoroughly test our products in specific applications.

**ZIERICK**

Radio Circle Drive  
Mount Kisco, New York 10549

SMT JUMPER  
LOOSE PC

THIS DOCUMENT AND THE CONFIDENTIAL INFORMATION CONTAINED HERE ARE THE PROPERTY OF ZIERICK MANUFACTURING CORPORATION AND MAY NOT BE USED IN WHOLE OR IN PART IN ANY WAY, OR COMMUNICATED TO ANY PARTY OTHER THAN THE RECIPIENT WITHOUT THE EXPRESS PRIOR WRITTEN CONSENT OF ZIERICK MANUFACTURING CORPORATION.

1179T-XX

F