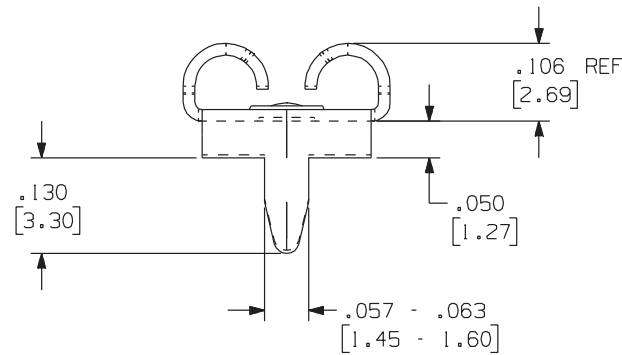
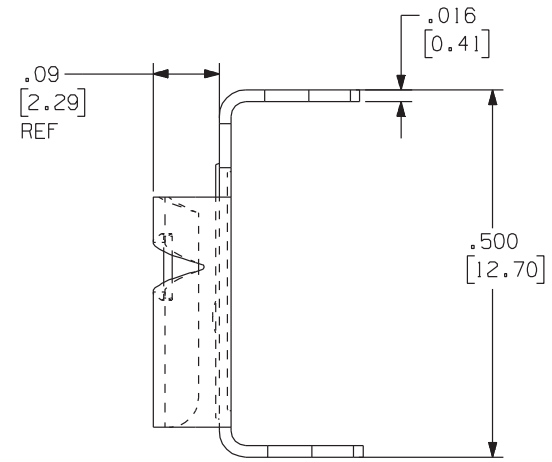
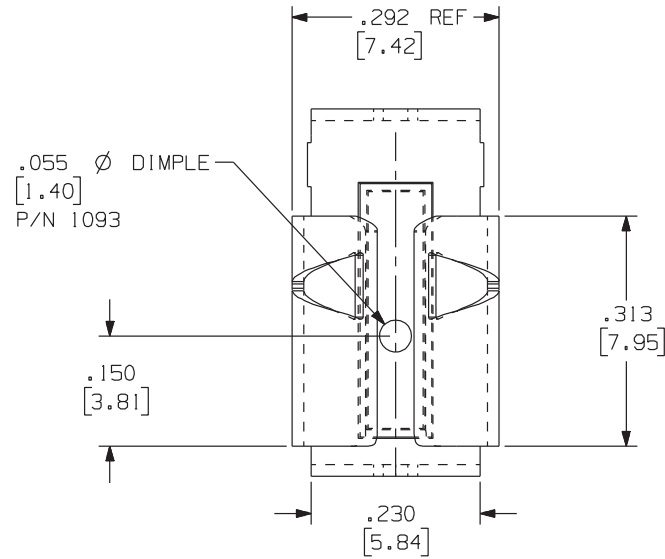


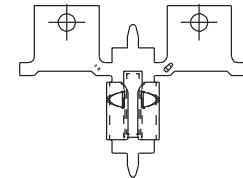
1093-1090

Rev.

APPLICATION DRAWING



Reeled Format: Mounting Legs Are in The Extended Condition.



PART NUMBER	MATING TERMINAL SIZE	MATERIAL	FINISH
1090	.250 X .025 [6.35mm X 0.64mm] TAB	.016 [0.41mm] BRASS	100% MATTE TIN OVER COPPER
1093	.250 X .032 [6.35mm X 0.81mm] TAB	.016 [0.41mm] BRASS	100% MATTE TIN OVER COPPER

RoHS COMPLIANT

Zierick Product Related Recommendations are general guidelines only. Since each customer's design, process and application is different it is necessary that customers thoroughly test our products in specific applications.

ZIERICK

Radio Circle Drive
Mount Kisco, New York 10549

FUSE CLIP
HORIZONTAL SPLAY RECEPTACLE

THIS DOCUMENT AND THE CONFIDENTIAL INFORMATION CONTAINED HERE ARE THE PROPERTY OF ZIERICK MANUFACTURING CORPORATION AND MAY NOT BE USED IN WHOLE OR IN PART IN ANY WAY, OR COMMUNICATED TO ANY PARTY OTHER THAN THE RECIPIENT WITHOUT THE EXPRESS PRIOR WRITTEN CONSENT OF ZIERICK MANUFACTURING CORPORATION.

1093-1090