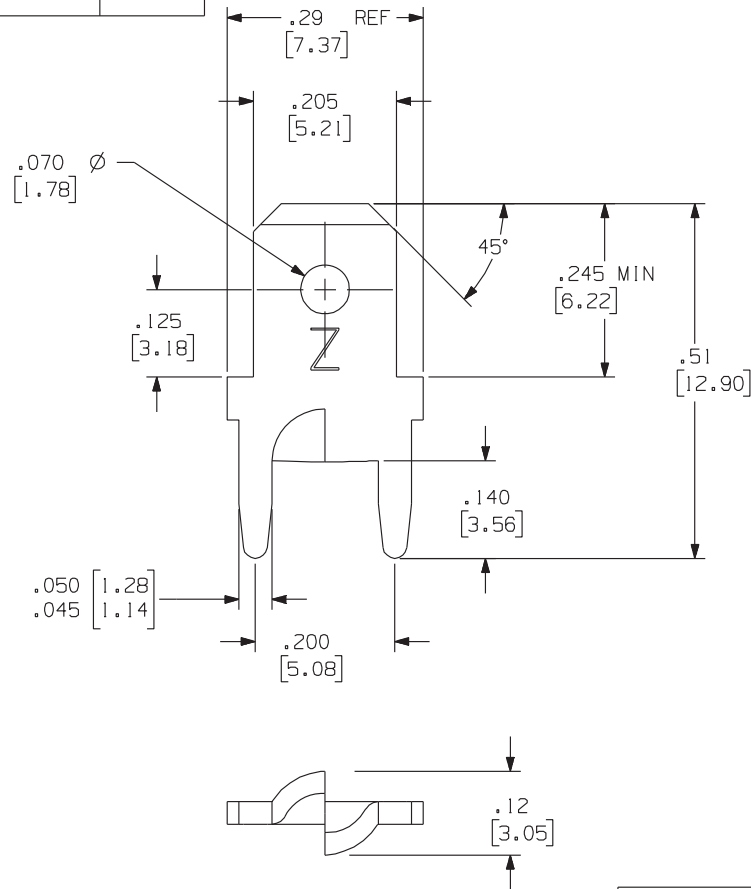


1065, 6065, 1066

Rev.

APPLICATION DRAWING



PART NUMBER	MATERIAL	FINISH
1066	.020 [0.20 mm] BRASS	100% TIN OVER COPPER
1065	.032 [0.81mm] BRASS	100% TIN OVER COPPER
1065 [ REELED PART NUMBER ]	.032 [0.81mm] BRASS	100% TIN OVER COPPER

RoHS COMPLIANT

Zierick Product Related Recommendations are general guidelines only. Since each customer's design, process and application is different it is necessary that customers thoroughly test our products in specific applications.

**ZIERICK**

Radio Circle Drive  
Mount Kisco, New York 10549

.205 QUICK DISCONNECT  
TERMINAL

THIS DOCUMENT AND THE CONFIDENTIAL INFORMATION CONTAINED HERE ARE THE PROPERTY OF ZIERICK MANUFACTURING CORPORATION AND MAY NOT BE USED IN WHOLE OR IN PART IN ANY WAY, OR COMMUNICATED TO ANY PARTY OTHER THAN THE RECIPIENT WITHOUT THE EXPRESS PRIOR WRITTEN CONSENT OF ZIERICK MANUFACTURING CORPORATION.

1065, 6065, 1066