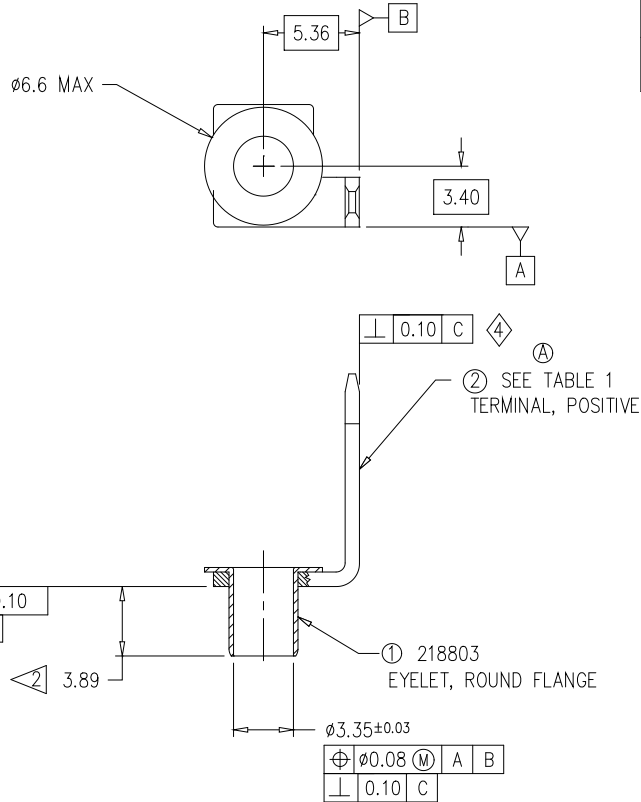


EF 6B 2/2/05

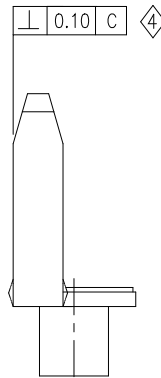
THIS DRAWING IS CONFIDENTIAL AND THE INFORMATION DISCLOSED HEREIN CONTAINS PROPRIETARY DATA OF CASCO PRODUCTS, NEITHER THIS DOCUMENT NOR THIS INFORMATION DISCLOSED HEREIN SHALL BE REPRODUCED OR TRANSFERRED TO OTHER DOCUMENTS OR TO BE USED FOR MANUFACTURING PURPOSES OR DISCLOSED TO OTHERS FOR ANY PURPOSE EXCEPT AS SPECIFICALLY AUTHORIZED IN WRITING BY CASCO PRODUCTS, A SUBSIDIARY OF SEQUA CORPORATION.



(A) TABLE 1

| DASH NO. | PART NAME | TERMINAL, POS P/N |
|-----------|----------------------|-------------------|
| 218811-BR | POS TERM ASSY, BRASS | 218802-BR |
| 218811-ST | POS TERM ASSY, CRS | 218802-ST |

| REVISION BLOCK | | | |
|----------------|--|----|---------|
| REV | DESCRIPTION OF CHANGE | BY | DATE |
| - | RELEASED TO PRODUCTION PER ECO E-6521 | JG | 5/19/05 |
| A | ADDED TABLE 1 AND "SEE TABLE 1" ADDED "THE EYELET FLANGE SHALL BE FLAT AND IN INTIMATE CONTACT WITH THE TERMINAL BASE" TO NOTE 2 PER ECO E-6741 | JG | 9/5/06 |



(A) (ST) (A) PRESS ITEM (1) INTO ITEM (2) TO SPECIFIED DISTANCE.
 THE EYELET FLANGE SHALL BE FLAT AND IN INTIMATE CONTACT WITH THE TERMINAL BASE.
 EYELET TO TERMINAL SEPARATION FORCE SHALL BE 50N MIN. BY QUALIFYING EYELET I.D. TO DIMENSION SHOWN.

1. GENERAL REQUIREMENTS PER CASCO ES-0999.

NOTES:

| | | | | | | | |
|--|-------|------|-------|------------|---------|------------------------|--|
| QTY. | | | | WHERE USED | | | |
| DIMENSIONS ARE IN MILLIMETERS | | | | | | | |
| TOLERANCES UNLESS OTHERWISE SPECIFIED | | | | | | | |
| METRIC | | | | | | | |
| X.XX = ±0.13 | | | | | | | |
| X.X = ±0.3 | | | | | | | |
| ANGLES = ±0.5° | | | | | | | |
| DRAWN BY | JG | NAME | JG | DATE | 5/19/05 | THIRD ANGLE PROJECTION | |
| CHECKED BY | RAB | NAME | RAB | DATE | 5/24/05 | | |
| PROJECT ENG | RAB | NAME | RAB | DATE | 5/24/05 | SCALE 4:1 | |
| APPROVED BY | L TOH | NAME | L TOH | DATE | 5/24/05 | | |
| CASCO PRODUCTS CORP. A SUBSIDIARY OF SEQUA CORPORATION | | | | | | | |
| NAME POSITIVE TERMINAL ASSY | | | | | | | |
| DRAWING NO. | | REV. | | | | | |
| B 218811 | | A | | | | | |

