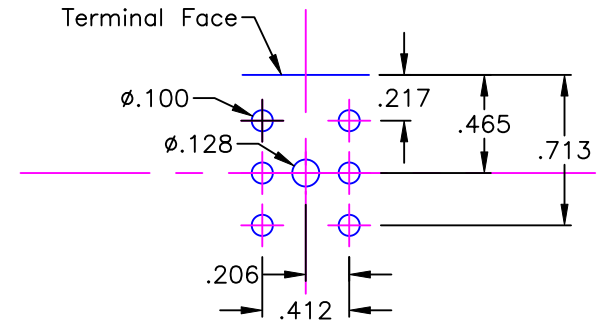
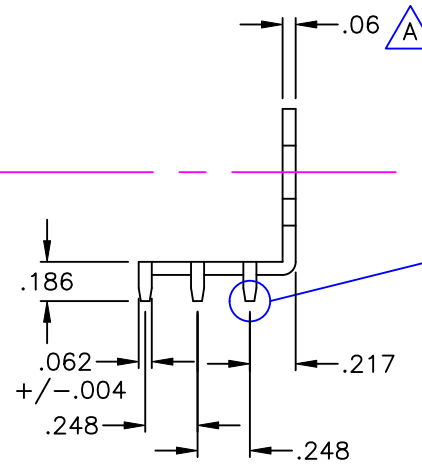
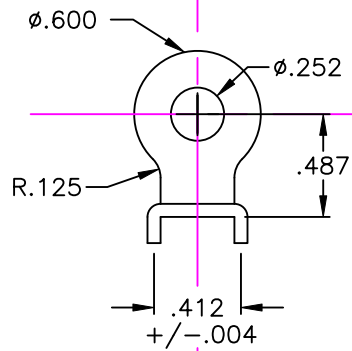
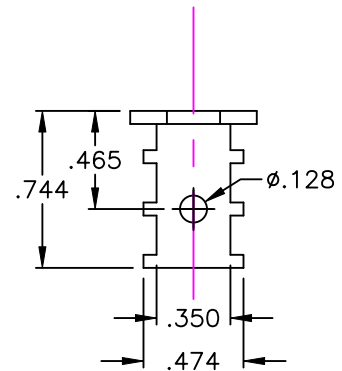


# PCB LAYOUT



+/- .004

- NOTES:**
1. MATERIAL, C11000 COPPER. WILL CONSIDER OTHER MATERIALS PROVIDED MATERIAL HAS EXCELLENT SOLDERABILITY.
  2. TIN PLATED AFTER FORMING.

THIS PRINT IS THE PROPERTY OF RARITAN ENGINEERING COMPANY, INC. REPRODUCTION OF THIS PRINT OR THE MANUFACTURE OF THE ITEM(S) DESCRIBED HEREON IS FORBIDDEN WITHOUT THE WRITTEN CONSENT OF RARITAN ENGINEERING COMPANY, INC.

**RARITAN** Engineering Company, Inc. 530 ORANGE STREET  
MILLVILLE, N.J., 08332 U.S.A.

NAME OF PART			PCB TERMINAL		
VENDOR			VENDOR PART/REF NO.		
APPROVED	DATE	SCALE			
		FULL			
CHECKED	DATE	MATERIAL			
		SEE NOTES <b>B</b>			
DRAWN	DATE	TOLERANCES: (UNLESS OTHERWISE NOTED)			
MWS	13MAY03	DEC.: ±.005"; FRACT.: ±1/64"; ANG.: ±1/2"			
PART NO.		DRAWING NO.		REV.	
31-715		6086A04		B	
				SHEET 1 OF 1	

NO.	BY	DATE	ECN NO.	EXPLANATION
B	MWS	15APR21	VENDOR REQUEST	ADD NOTES
A	MWS	12APR21	VENDOR REQUEST	ADD THICKNESS DIMENSION ON PART

## REVISIONS

PART NUMBERS FOLLOWED BY A "-X" INDICATE THAT PART IS "AS RECEIVED" AND ADDITIONAL PROCESSING SUCH AS MACHINING MAY BE REQUIRED AFTER RECEIPT. ALL DIMENSIONS WILL BE FOR "-X" PARTS UNLESS THEY ARE FOLLOWED BY AN ASTERISK (\*), WHICH INDICATES FINAL DIMENSION. DRAWING WILL REFLECT BOTH PARTS (-X AND FINISHED).