



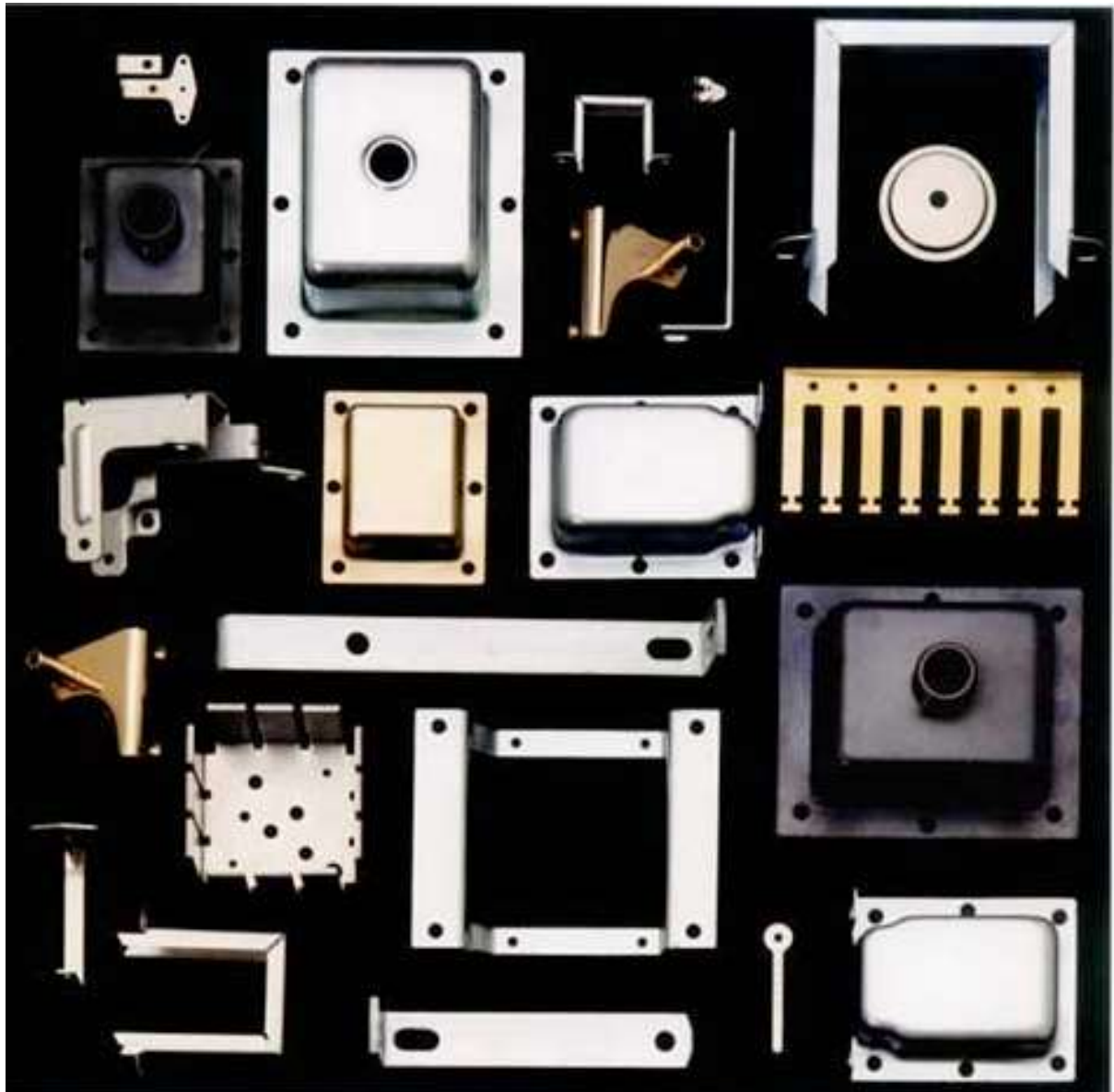
Bahrs

Die & Stamping

[Click here to go to the Catalog Index](#)

Transformer Hardware

MINIMUM QUANTITIES MAY APPLY | CALL FOR DETAILS



Quality, Custom Tooling & Metal Stamping since 1939

Click to go to:

 **Shields**

 **Covers**

 **Lead Holes**

 **Frames**

 **Brackets**

 **Miscellaneous**

**Catalog
Index**

Bahrs

Click to go to:

[Standard Shields](#)

4

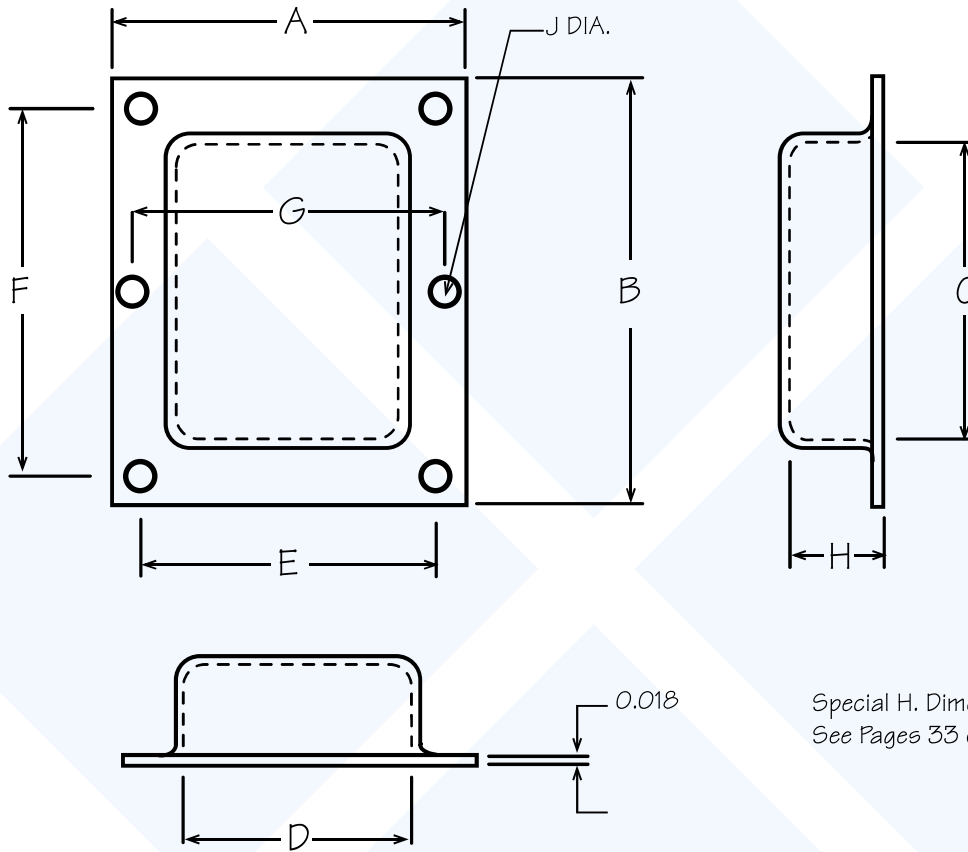
[Vertical Shield - 3/4" Lamination](#)

5



Shields

Bahrs



Special H. Dimension on Quotation
See Pages 33 & 34 for Lead Exits

GENERAL DIMENSIONS

Part #	Size	A	B	C	D	E	F	G	H	J
SH-1	1/2	1-9/32	1-19/32	1-1/8	13/16	NONE	NONE	NONE	7/16, 15/32 9/16	NONE
SH-100	5/8	1-17/32	1-27/32	1-9/32	1-1/32	NONE	NONE	1-1/4	15/32, 17/32	0.125
SH-200	3/4	1-27/32	2-7/32	1-9/16	1-3/16	NONE	NONE	1-5/8	17/32, 43/64	0.149
SH-300	7/8	2-3/16	2-5/8	1-13/16	1-7/16	1-3/4	2-3/16	1-29/32	5/8, 3/4	3/16

Tolerances:
Decimal $\pm 0.005"$
Fractional $\pm 1/64"$

Material 26 GA
CRS—Colled Rolled Steel
ETC—Electro Tin Coated

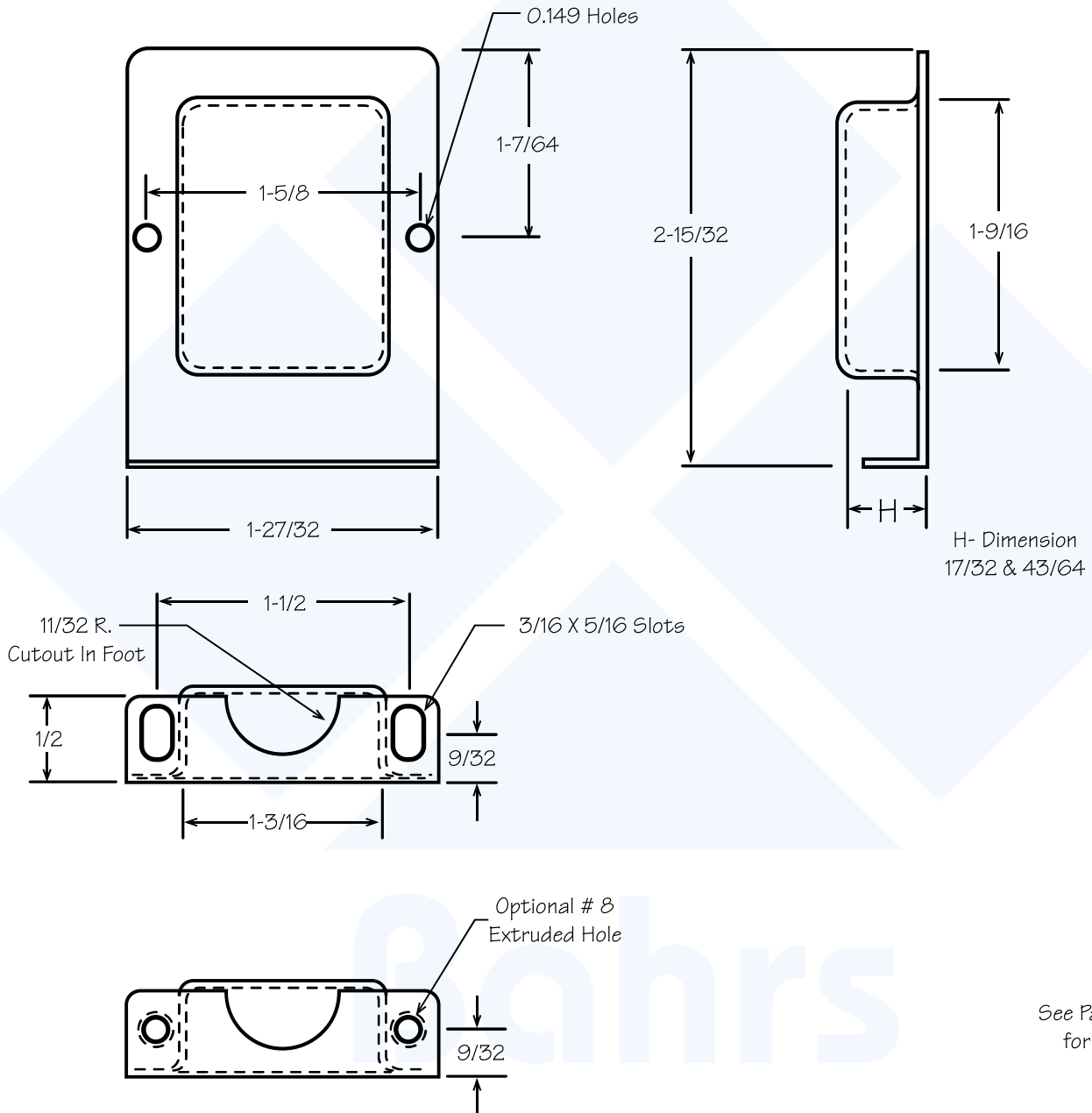
Phone: (513) 793-8100
FAX: (513) 793-0624

Links E-Mail: sales@bahrsdie.com
Web: www.bahrsdie.com



Bahrs
Die & Stamping Co., Inc.
4375 Rossplain Rd., Cincinnati, OH 45236

SH-224-EF



See Pages 35 & 36
for Lead Exits

Tolerances:
Decimal $\pm 0.005"$
Fractional $\pm 1/64"$

Material 22 GA
CRS—Colled Rolled Steel

Phone: (513) 793-8100
FAX: (513) 793-0624

Links E-Mail: sales@bahrsdie.com
Web: www.bahrsdie.com



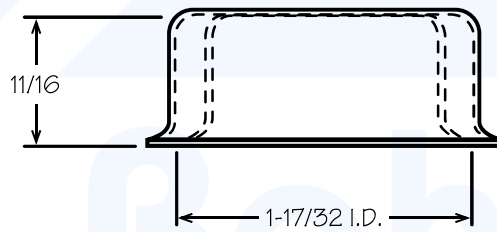
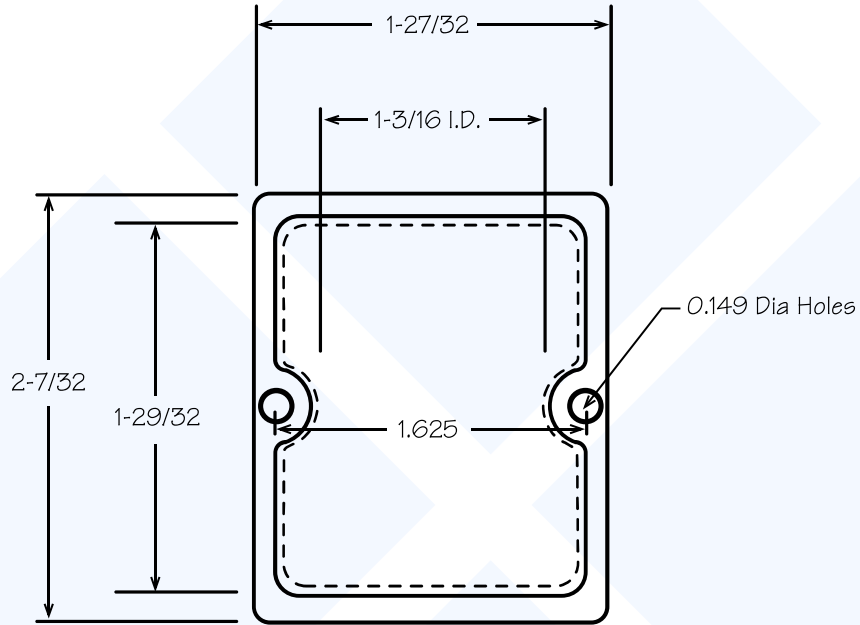
Bahrs
Die & Stamping Co., Inc.
4375 Rossplain Rd., Cincinnati, OH 45236

Covers

Click to go to: Cover - 3/4" Lamination	7
Plain Covers- Standard Holes	8
Plain Covers - RETMA Holes	9
Fully Mounted Covers - With Flanges - Standard Holes	10
Fully Mounted Cover - No Flanges - Standard Holes	11
Fully Mounted Cover - No Flanges - RETMA Holes	12
Vertical Cover - 7/8" Lamination	13
Vertical Cover - 7/8" Lamination - 1/4" Raised	14
Vertical Cover - 7/8" Lamination - 21/64" Raised	15
Vertical Cover - 1" Lamination	16
Vertical Cover - 1" Lamination - 1/8" Raised	17
Vertical Cover - 1" Lamination - 1/4" Raised	18
Vertical Cover - 1-1/8" Lamination	19
Vertical Cover - 1-1/4" Lamination (22Ga)	20
Vertical Cover - 1-1/4" Lamination (18 Ga)	21
Vertical Cover - 1-3/8" Lamination (22 Ga)	22
Vertical Cover - 1-3/8" Lamination (18 Ga)- 4 Hole	23
Vertical Cover - 1-3/8" Lamination (18 Ga)- 6 Hole	24
Vertical Cover - 1-3/8" Lamination (18 Ga)- 6 Hole	25
Vertical Cover - 1-1/2" Lamination	26
Horizontal Cover - 7/8" Lamination	27
Horizontal Cover - 1" Lamination	28
Horizontal Cover - 1-1/8" Lamination	29
Horizontal Cover - 1-1/4" Lamination (22 Ga)	30
Horizontal Cover - 1-1/4" Lamination (18 Ga)	31
Horizontal Cover - 1-3/8" Lamination (22 Ga)	32
Horizontal Cover - 1-3/8" Lamination (18 Ga)	33
Horizontal Cover - 1-1/2" Lamination	34
C.V. Cover	35
C.V. Cover	36

CWO7220

For use with Terminal End Bobbins



See Pages 35 & 36
for Lead Exits

Tolerances:
Decimal ± 0.005 "
Fractional $\pm 1/64$ "

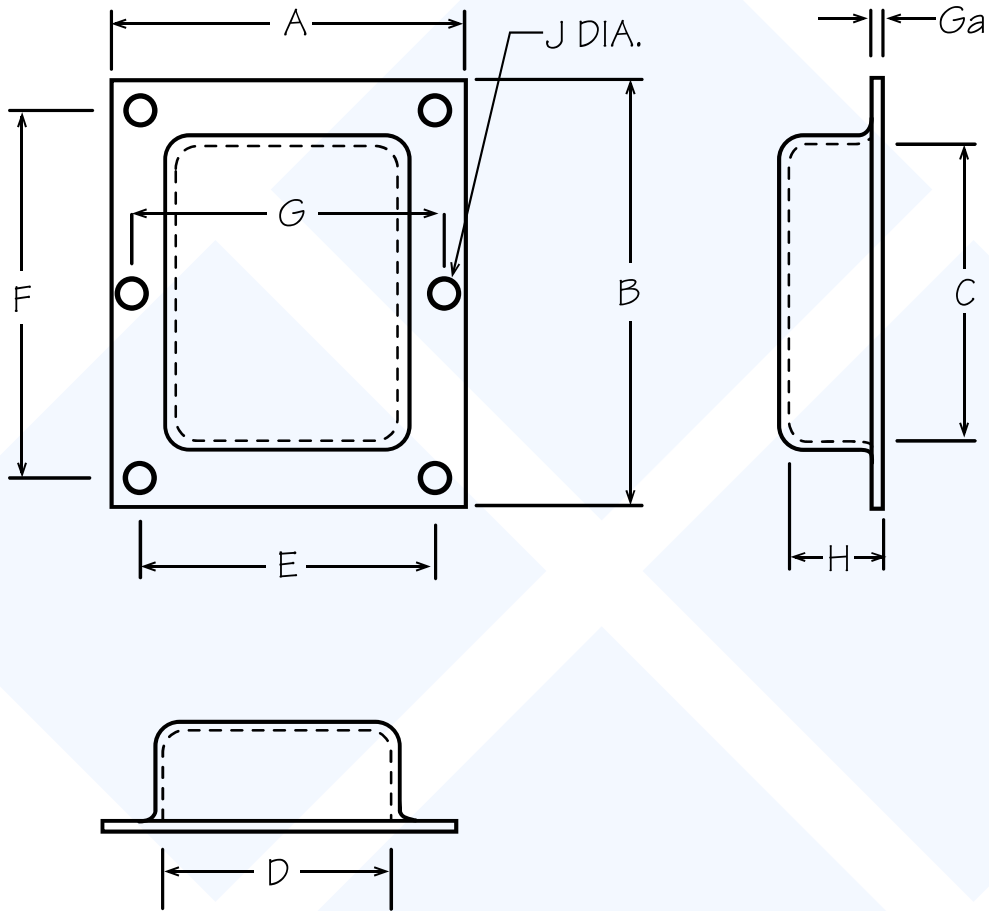
Material 22 GA
CRS—Colled Rolled Steel

Phone: (513) 793-8100
FAX: (513) 793-0624

Links E-Mail: sales@bahrsdie.com
Web: www.bahrsdie.com



Bahrs
Die & Stamping Co., Inc.
4375 Rossplain Rd., Cincinnati, OH 45236



See Pages 35 & 36
for Lead Exits

GENERAL DIMENSIONS

Part #	Size	A	B	C	D	E	F	G	H			J	Ga
									STD	DEEP	X-DEEP		
C-87	7/8	2-3/16	2-5/8	1-13/16	1-7/16	1-3/4	2-3/16	1-29/32	—	3/4	—	3/16	22
C-100	1	2-1/2	3	2-1/16	1-11/16	2	2-1/2	2-5/32	21/32	7/8	1-5/32	7/32	22
C-200	1-1/8	2-13/16	3-3/8	2-3/8	1-13/16	2-1/4	2-13/16	2-15/32	27/32	1-3/32	—	7/32	22
C-300	1-1/4	3-1/8	3-3/4	2-5/8	2	2-1/2	3-1/8	2-25/32	7/8	1-1/8	—	7/32	22
C-400	1-3/8	3-7/16	4-1/8	3	2-5/16	2-3/4	3-7/16	3-1/16	15/16	1-3/16	1-1/2	7/32	22
C-500	1-1/2	3-3/4	4-1/2	3-5/16	2-17/32	3	3-3/4	3-13/32	1-1/16	1-3/16	1-1/2	7/32	22
C-700	1-3/4	4-3/8	5-1/4	3-7/8	2-15/16	3-1/2	4-3/8	—	1-1/4	1-5/8	—	9/32	20

Tolerances:
Decimal $\pm 0.005"$
Fractional $\pm 1/64"$

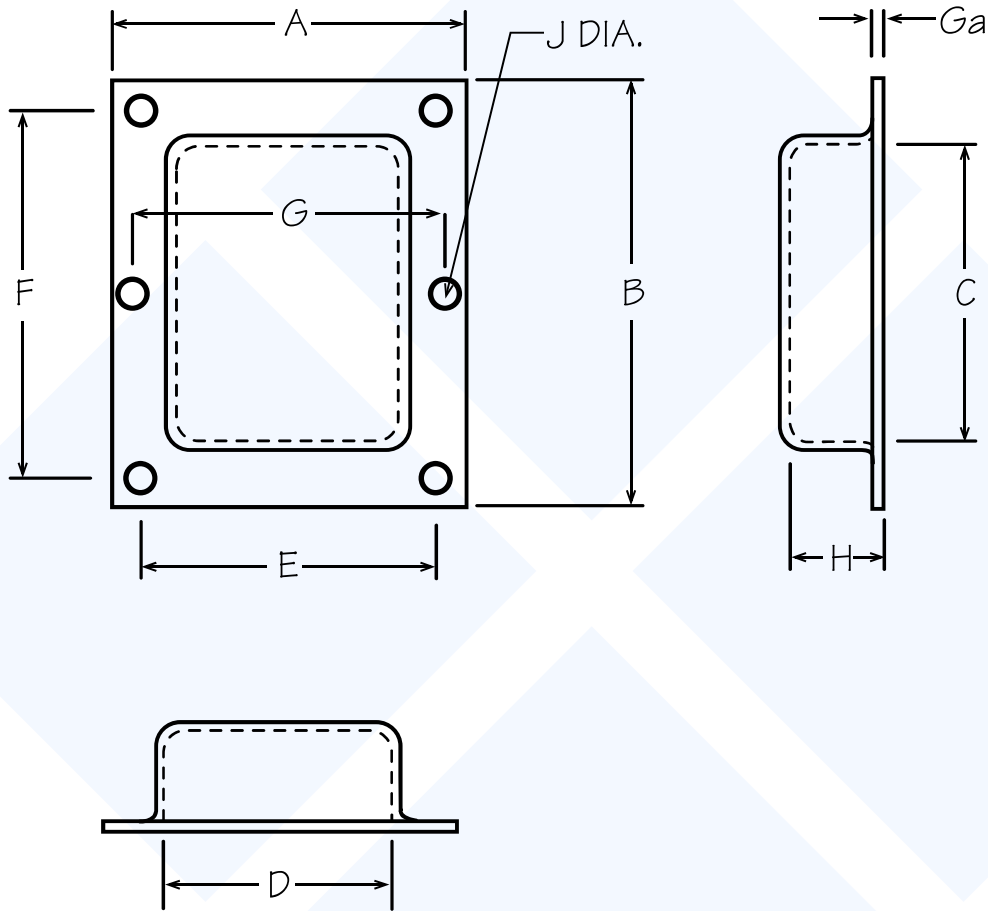
Phone: (513) 793-8100
FAX: (513) 793-0624

Links E-Mail: sales@bahrsdie.com
Web: www.bahrsdie.com



Bahrs

Die & Stamping Co., Inc.
4375 Rossplain Rd., Cincinnati, OH 45236



See Pages 35 & 36
for Lead Exits

GENERAL DIMENSIONS

Part #	Size	A	B	C	D	E	F	G	H			J	Ga
									STD	DEEP	X-DEEP		
C-100	1	2-1/2	3	2-1/16	1-11/16	2-1/8	2-5/8	2-5/32	21/32	7/8	1-5/32	7/32	22
C-200	1-1/8	2-13/16	3-3/8	2-3/8	1-13/16	2-7/16	3	2-15/32	27/32	1-3/32	—	7/32	22
C-300	1-1/4	3-1/8	3-3/4	2-5/8	2	2-11/16	3-5/16	2-25/32	7/8	1-1/8	—	7/32	22
C-400	1-3/8	3-7/16	4-1/8	3	2-5/16	3	3-11/16	3-1/16	15/16	1-3/16	1-1/2	7/32	22
C-500	1-1/2	3-3/4	4-1/2	3-5/16	2-17/32	3-5/16	4-1/16	3-13/32	1-1/16	1-3/16	1-1/2	7/32	22
C-700	1-3/4	4-3/8	5-1/4	3-7/8	2-15/16	3-7/8	4-3/4	—	1-1/4	1-5/8	—	9/32	20

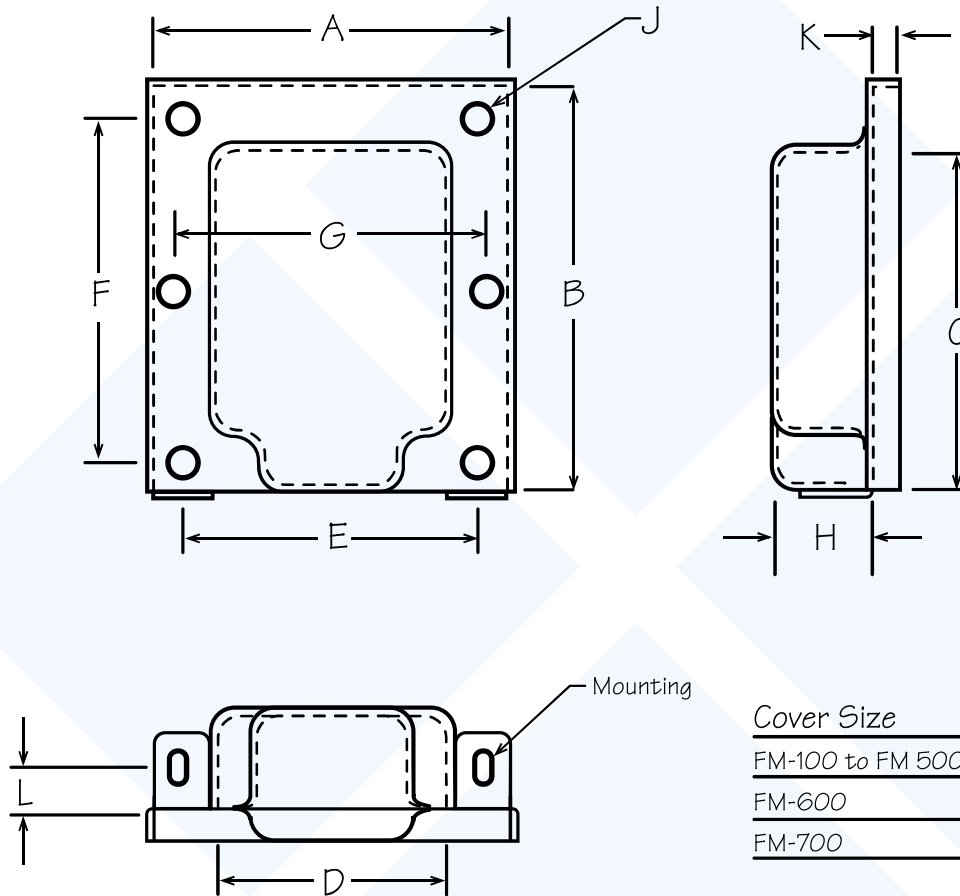
Tolerances:
Decimal $\pm 0.005"$
Fractional $\pm 1/64"$

Phone: (513) 793-8100
FAX: (513) 793-0624

Links E-Mail: sales@bahrsdie.com
Web: www.bahrsdie.com



Bahrs
Die & Stamping Co., Inc.
4375 Rossplain Rd., Cincinnati, OH 45236



Cover Size	Mounting
FM-100 to FM 500	13/64" X 3/8"
FM-600	13/64" X 23/32"
FM-700	9/32" X 5/8"

See Page 37 for Lead Exits

GENERAL DIMENSIONS

Part #	Size	A	B	C	D	E	F	G	H	J	K	L	Ga
FM-100	1	2-17/32	3-1/32	2-5/8	1-11/16	2	2-1/2	2-5/32	13/16	7/32	3/16	11/32	22
FM-200	1-1/8	2-27/32	3-13/32	2-15/16	1-7/8	2-1/4	2-13/16	2-15/32	1	7/32	3/16	7/16	22
FM-300	1-1/4	3-5/32	3-25/32	3-1/4	2	2-1/2	3-1/8	2-25/32	1-1/16	7/32	3/16	15/32	22
FM-400	1-3/8	3-15/32	4-5/32	3-9/16	2-1/4	2-3/4	3-7/16	3-1/16	1-3/16	7/32	1/4	21/32	22
FM-500	1-1/2	3-25/32	4-17/32	3-15/16	2-1/2	3	3-3/4	3-13/32	1-3/16	7/32	1/4	21/32	22
FM-600	1-5/8	4-9/32	5-27/32	4-1/4	3-3/64	3-7/16	4-15/16	N/A	1-1/2	7/32	1/4	13/16	18
FM-700	1-3/4	4-25/64	5-17/64	4-7/16	3-1/8	3-1/2	4-3/8	3-7/8	1-1/2	9/32	1/4	3/4	18

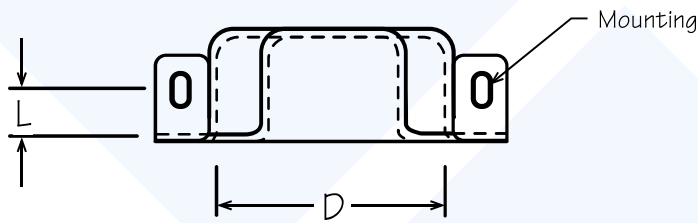
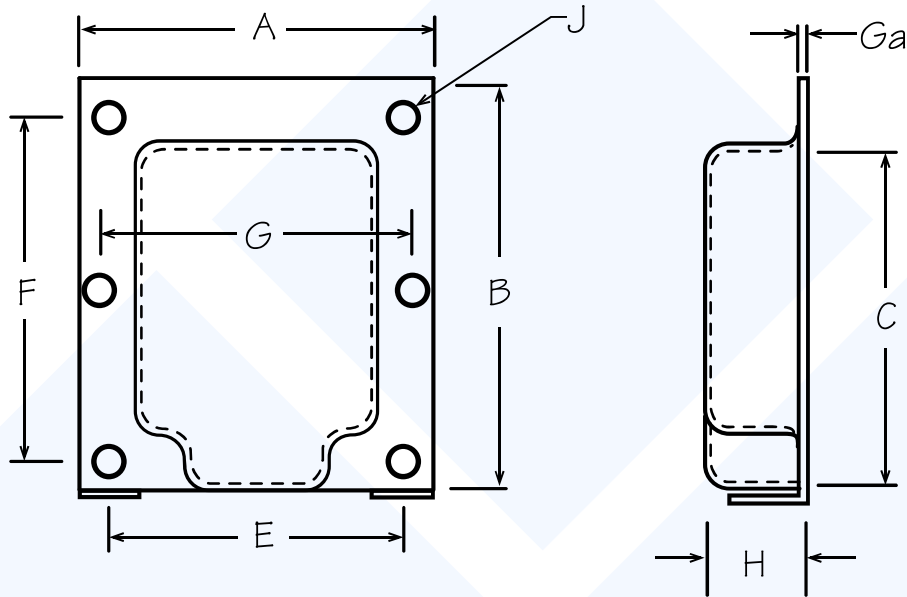
Tolerances:
 Decimal $\pm 0.005"$
 Fractional $\pm 1/64"$

Phone: (513) 793-8100
 FAX: (513) 793-0624

Links E-Mail: sales@bahrsdie.com
 Web: www.bahrsdie.com



Bahrs
 Die & Stamping Co., Inc.
 4375 Rossplain Rd., Cincinnati, OH 45236



Cover Size	Mounting
FM-100-L to FM 500-L	13/64" X 3/8"
FM-700-L	9/32" X 5/8"
FM-850-L	9/32" X 3/4"

See Page 37 for Lead Exits

GENERAL DIMENSIONS

Part #	Size	A	B	C	D	E	F	G	H	J	L	Ga
FM-100-L	1	2-1/2	3-1/64	2-5/8	1-11/16	2	2-1/2	2-5/32	13/16	7/32	11/32	22
FM-200-L	1-1/8	2-13/16	3-25/64	2-15/16	1-7/8	2-1/4	2-13/16	2-15/32	1	7/32	7/16	22
FM-300-L	1-1/4	3-1/8	3-49/64	3-1/4	2	2-1/2	3-1/8	2-25/32	1-1/16	7/32	15/32	22
FM-400-L	1-3/8	3-7/16	4-9/64	3-9/16	2-1/4	2-3/4	3-7/16	3-1/16	1-3/16	7/32	21/32	22
FM-500-L	1-1/2	3-3/4	4-1/2	3-15/16	2-1/2	3	3-3/4	3-13/32	1-3/16	7/32	21/32	22
FM-700-L	1-3/4	4-3/8	5-1/4	4-7/16	3-1/8	3-1/2	4-3/8	3-7/8	1-1/2	9/32	3/4	18
FM-850-L	2-1/8	5-9/32	6-5/16	5-1/2	3-11/16	4-1/4	5-5/16	—	1-3/4	9/32	1	18

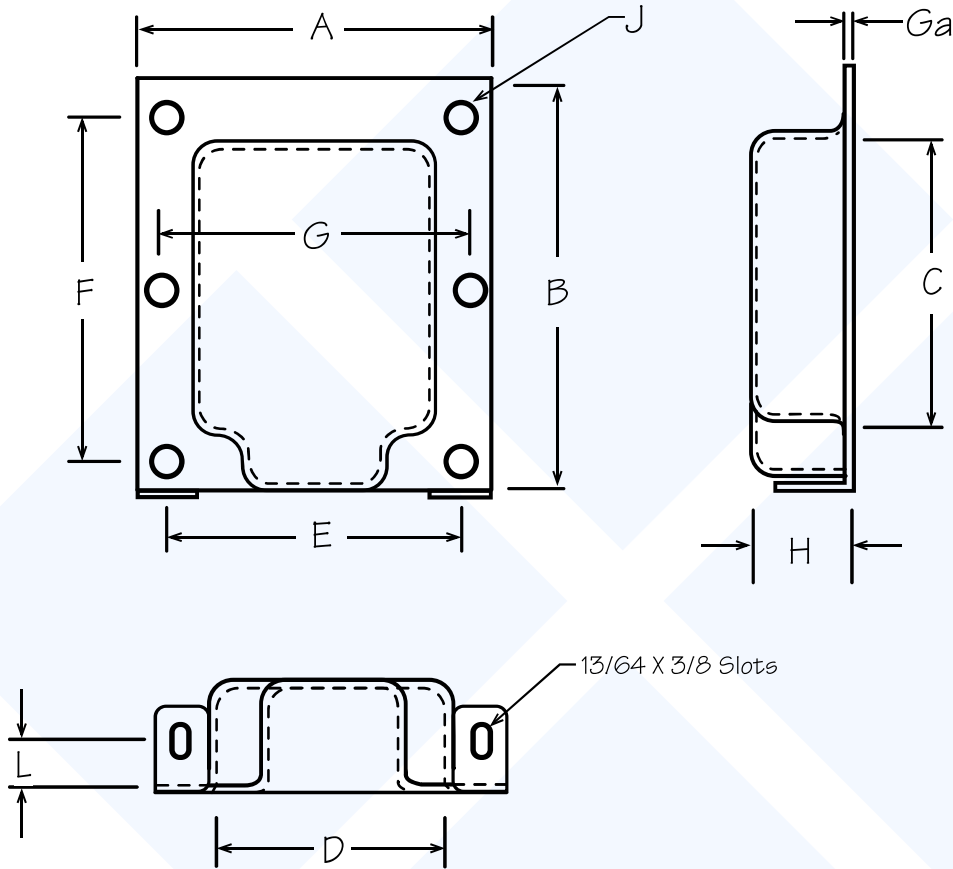
Tolerances:
 Decimal $\pm 0.005"$
 Fractional $\pm 1/64"$

Phone: (513) 793-8100
 FAX: (513) 793-0624

Links E-Mail: sales@bahrsdie.com
 Web: www.bahrsdie.com



Bahrs
 Die & Stamping Co., Inc.
 4375 Rossplain Rd., Cincinnati, OH 45236



See Page 37 for Lead Exits

GENERAL DIMENSIONS

Part #	Size	A	B	C	D	E	F	G	H	J	L	Ga
FM-200-L	1-1/8	2-13/16	3-25/64	2-15/16	1-7/8	2-7/16	3	2-15/32	1	7/32	7/16	22
FM-300-L	1-1/4	3-1/8	3-49/64	3-1/4	2	2-11/16	3-5/16	2-25/32	1-1/16	7/32	15/32	22
FM-400-L	1-3/8	3-7/16	4-9/64	3-9/16	2-1/4	3	3-11/16	3-1/16	1-3/16	7/32	21/32	22
FM-500-L	1-1/2	3-3/4	4-1/2	3-15/16	2-1/2	3-5/16	4-1/16	3-13/32	1-3/16	7/32	21/32	22

Tolerances:
 Decimal $\pm 0.005"$
 Fractional $\pm 1/64"$

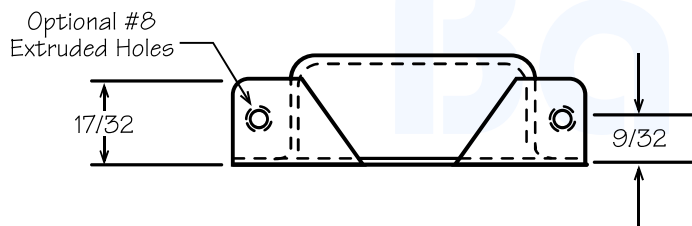
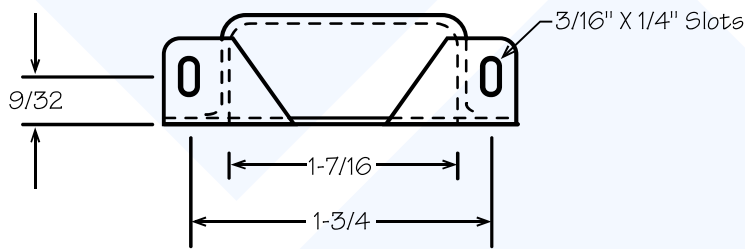
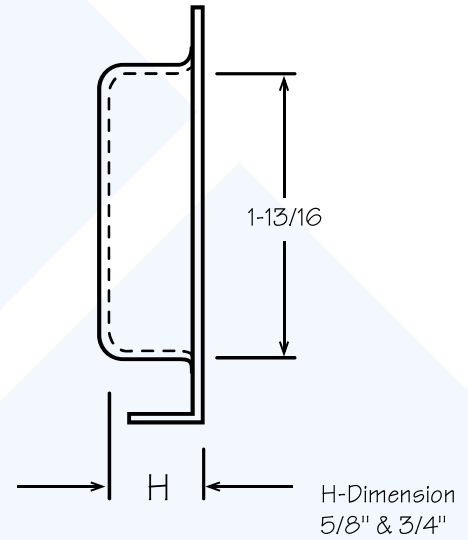
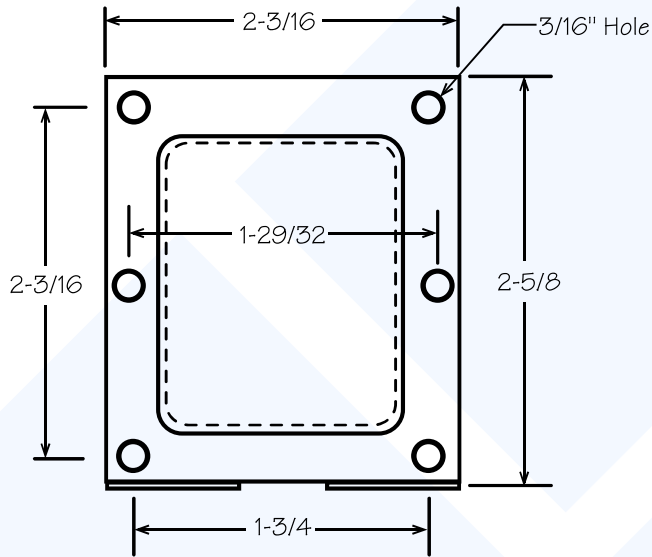
Phone: (513) 793-8100
 FAX: (513) 793-0624

Links E-Mail: sales@bahrsdie.com
 Web: www.bahrsdie.com



Bahrs
 Die & Stamping Co., Inc.
 4375 Rossplain Rd., Cincinnati, OH 45236

VC-87



See Pages 35 & 36 for Lead Exits

Tolerances:
 Decimal $\pm 0.005"$
 Fractional $\pm 1/64"$

Material 22 GA
 CRS—Colled Rolled Steel

Phone: (513) 793-8100
 FAX: (513) 793-0624

Links E-Mail: sales@bahrsdie.com
 Web: www.bahrsdie.com



Bahrs

Die & Stamping Co., Inc.
 4375 Rossplain Rd., Cincinnati, OH 45236

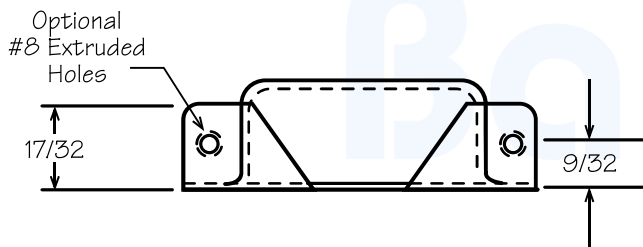
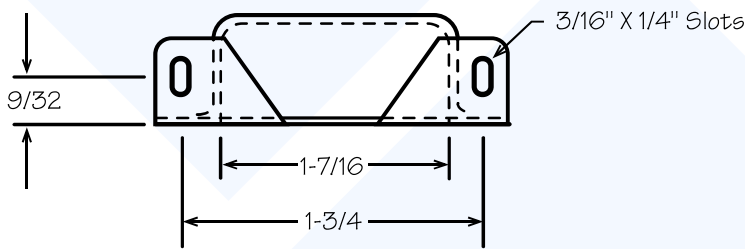
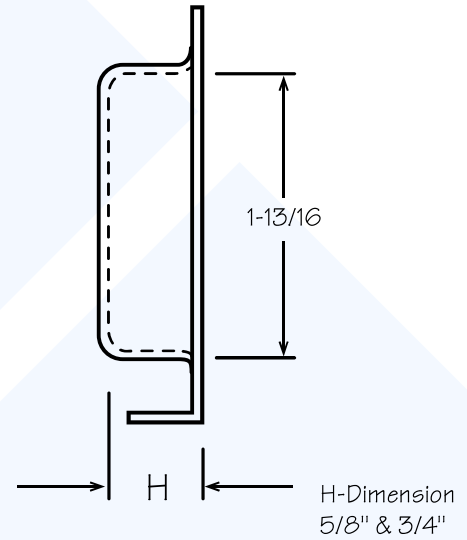
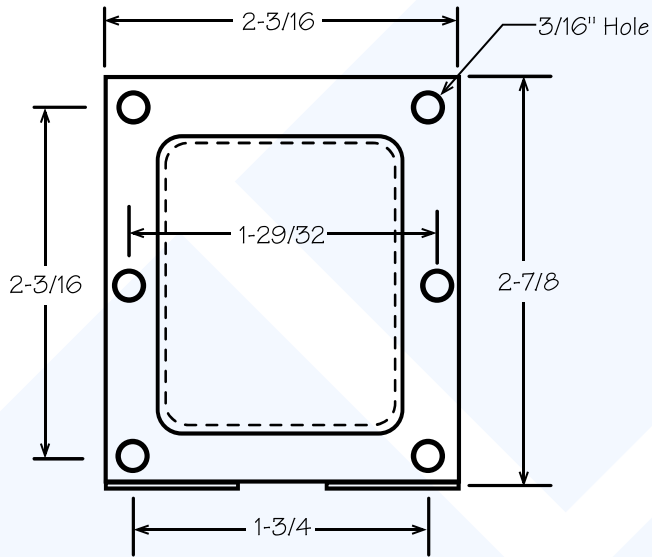
Vertical Cover

7/8" Lamination

1/4" Raised

• Page 14

VC-87-25



See Page 35 & 36 for Lead Exits

Tolerances:
 Decimal $\pm 0.005"$
 Fractional $\pm 1/64"$

Material 22 GA
 CRS—Colled Rolled Steel

Phone: (513) 793-8100
 FAX: (513) 793-0624

Links E-Mail: sales@bahrsdie.com
 Web: www.bahrsdie.com



Bahrs

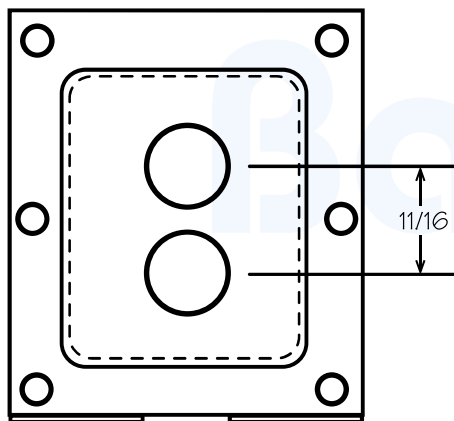
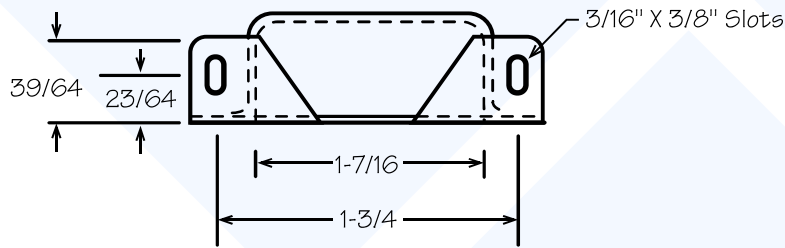
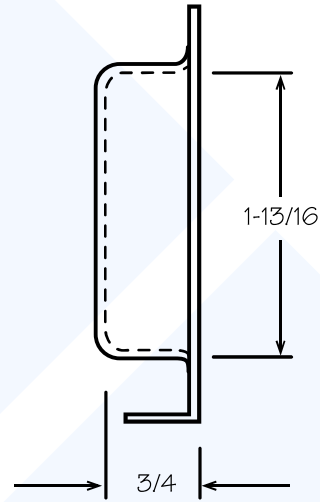
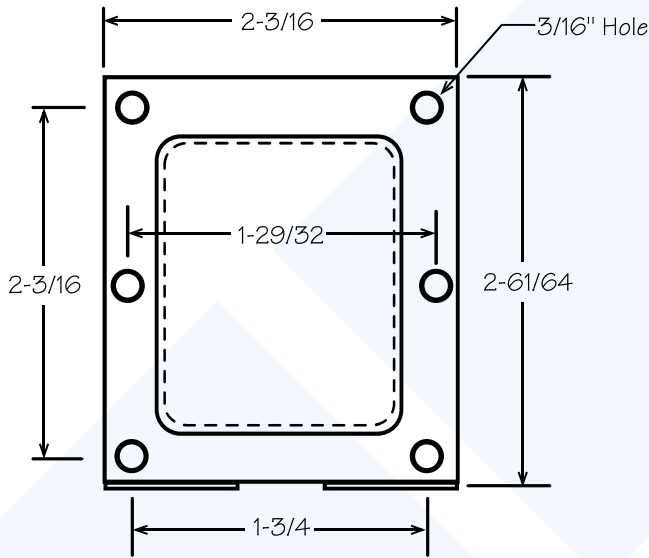
Die & Stamping Co., Inc.
 4375 Rossplain Rd., Cincinnati, OH 45236

Vertical Cover

7/8" Lamination

21/64" Raised

VC-87-32-A



See Pages 35 & 36 for Lead Exits

VC-87-32

With optional
0.453 Diameter Holes

Tolerances:
Decimal $\pm 0.005"$
Fractional $\pm 1/64"$

Material 22 GA
CRS—Colled Rolled Steel

Phone: (513) 793-8100
FAX: (513) 793-0624

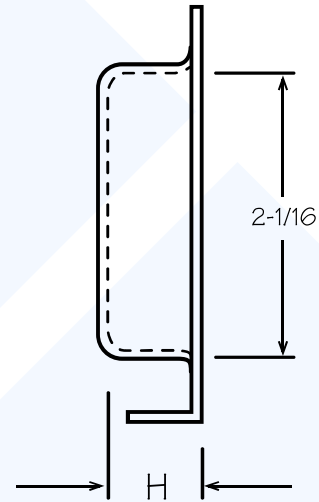
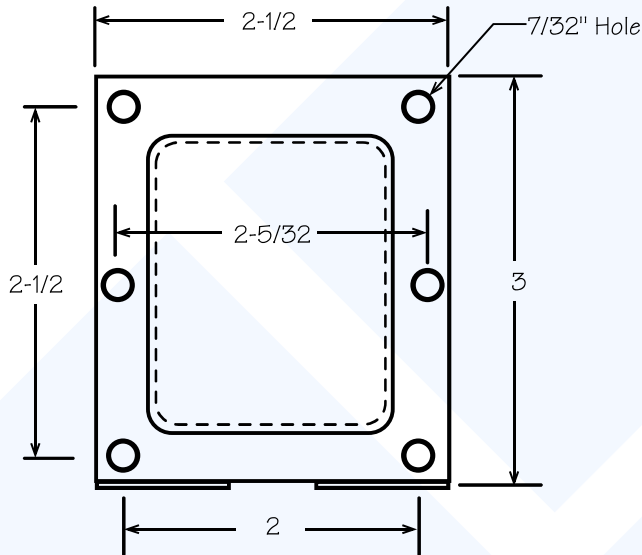
Links E-Mail: sales@bahrsdie.com
Web: www.bahrsdie.com



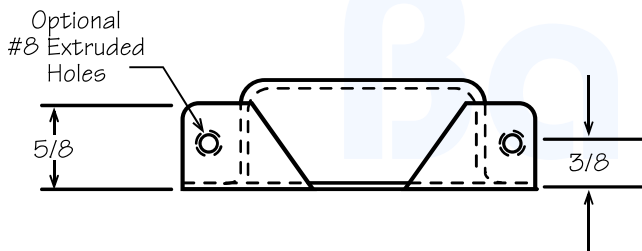
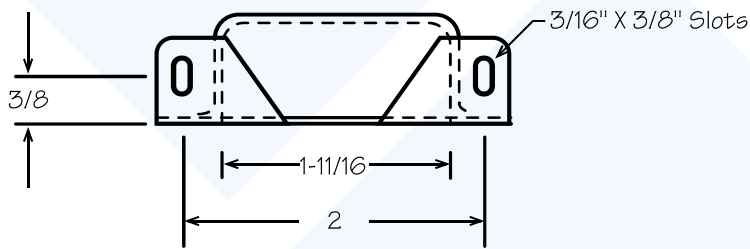
Bahrs

Die & Stamping Co., Inc.
4375 Rossplain Rd., Cincinnati, OH 45236

VC-100



H-Dimension
2-1/32", 7/8"
& 1-5/32"



See Pages 35 & 36 for Lead Exits

Tolerances:
Decimal $\pm 0.005"$
Fractional $\pm 1/64"$

Material 22 GA
CRS—Colled Rolled Steel

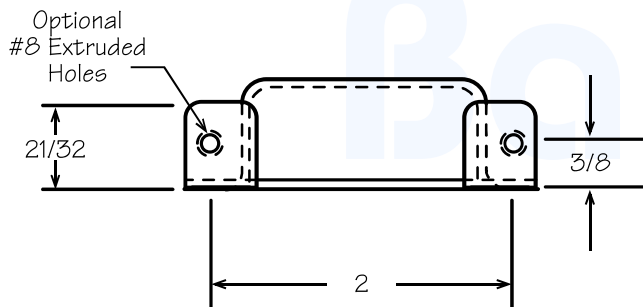
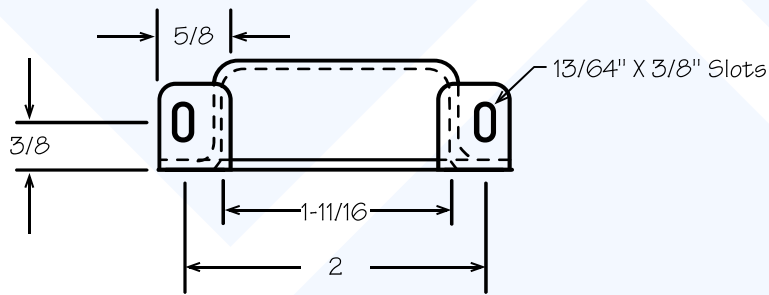
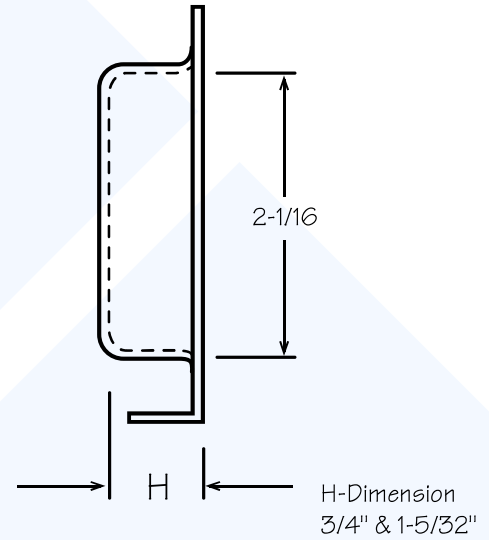
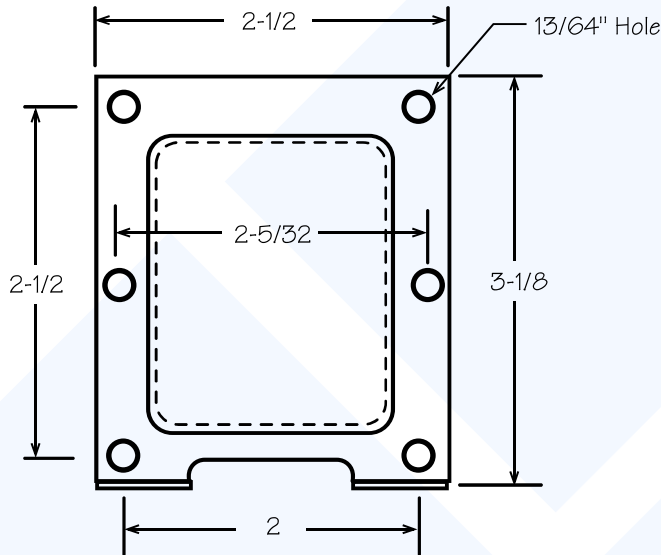
Phone: (513) 793-8100
FAX: (513) 793-0624

Links E-Mail: sales@bahrsdie.com
Web: www.bahrsdie.com



Bahrs
Die & Stamping Co., Inc.
4375 Rossplain Rd., Cincinnati, OH 45236

VC-100-12



See Pages 35 & 36 for Lead Exits

Tolerances:
Decimal $\pm 0.005"$
Fractional $\pm 1/64"$

Material 22 GA
CRS—Colled Rolled Steel

Phone: (513) 793-8100
FAX: (513) 793-0624

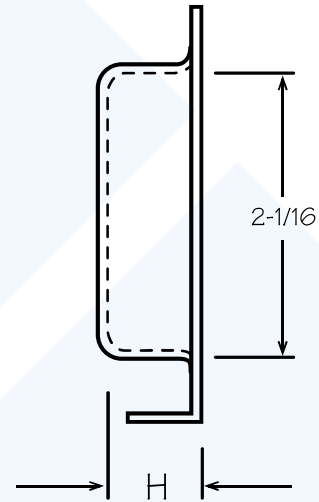
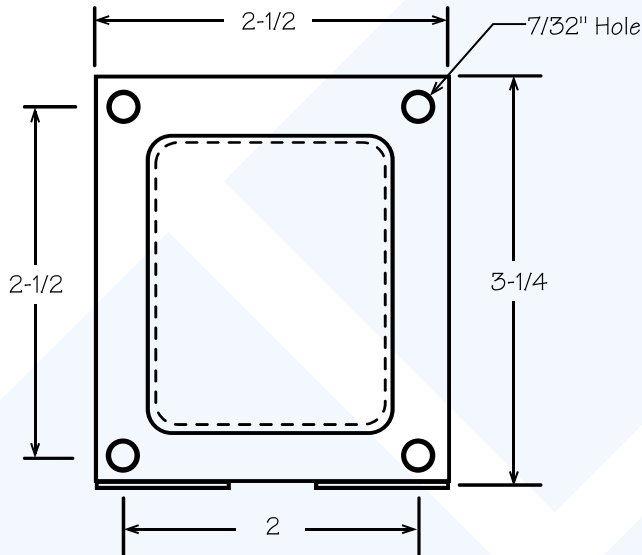
Links E-Mail: sales@bahrsdie.com
Web: www.bahrsdie.com



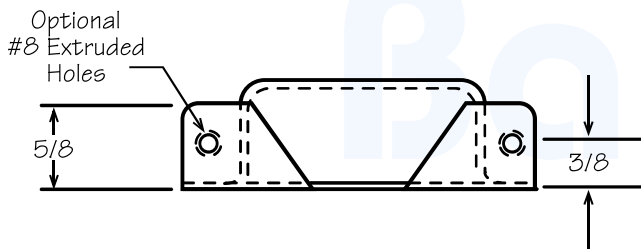
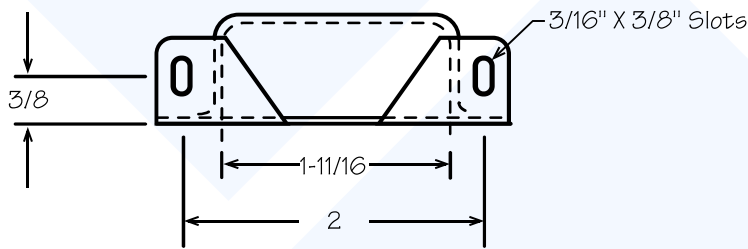
Bahrs

Die & Stamping Co., Inc.
4375 Rossplain Rd., Cincinnati, OH 45236

VC-100-25



H-Dimension
3/4", 7/8"
& 15/16"



See Pages 35 & 36 for Lead Exits

Tolerances:
Decimal $\pm 0.005"$
Fractional $\pm 1/64"$

Material 22 GA
CRS—Colled Rolled Steel

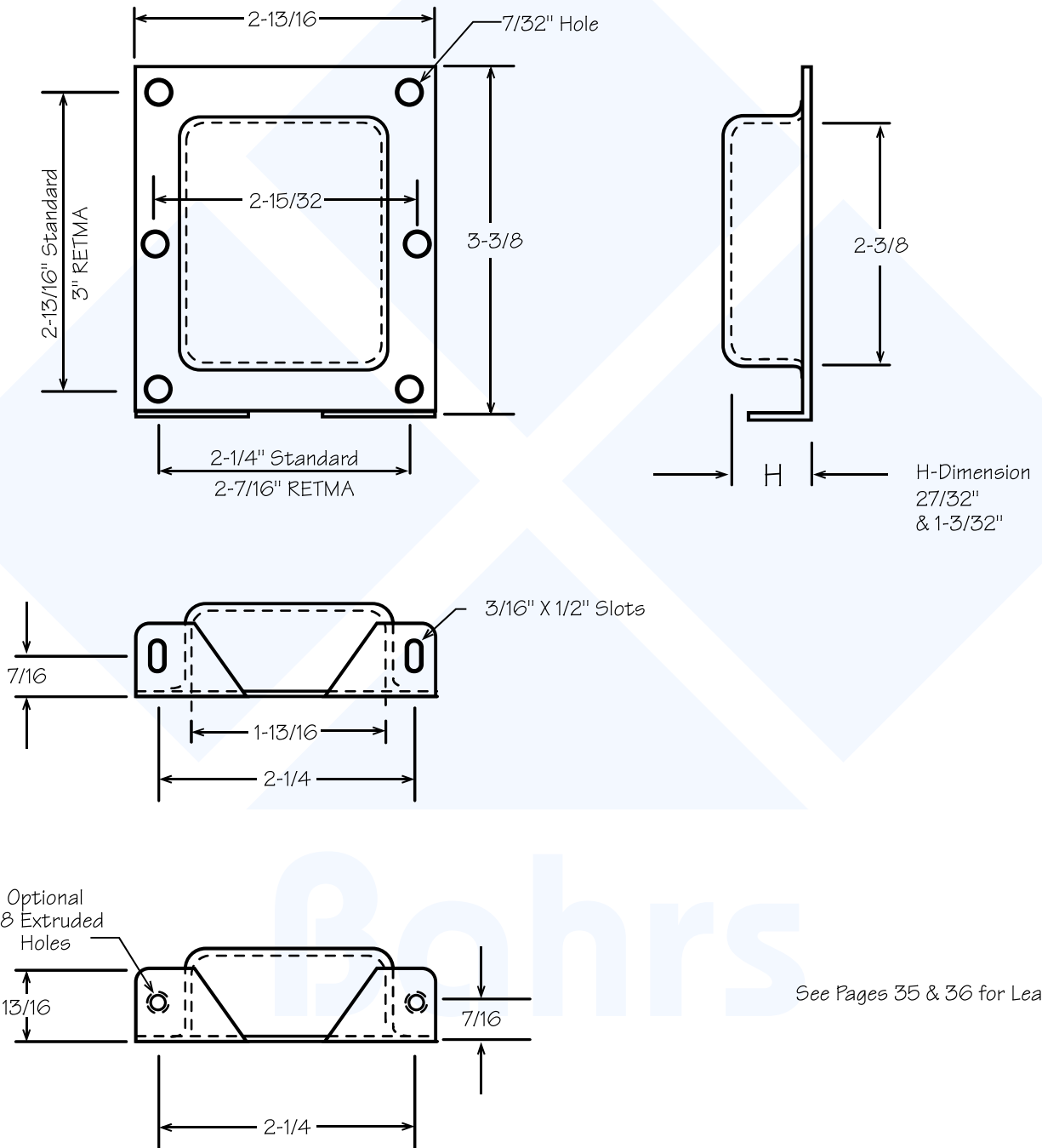
Phone: (513) 793-8100
FAX: (513) 793-0624

Links E-Mail: sales@bahrsdie.com
Web: www.bahrsdie.com



Bahrs
Die & Stamping Co., Inc.
4375 Rossplain Rd., Cincinnati, OH 45236

VC-200



See Pages 35 & 36 for Lead Exits

Tolerances:
Decimal ± 0.005 "
Fractional $\pm 1/64$ "

Material 22 GA
CRS—Colled Rolled Steel

Phone: (513) 793-8100
FAX: (513) 793-0624

Links E-Mail: sales@bahrsdie.com
Web: www.bahrsdie.com



Bahrs
Die & Stamping Co., Inc.
4375 Rossplain Rd., Cincinnati, OH 45236

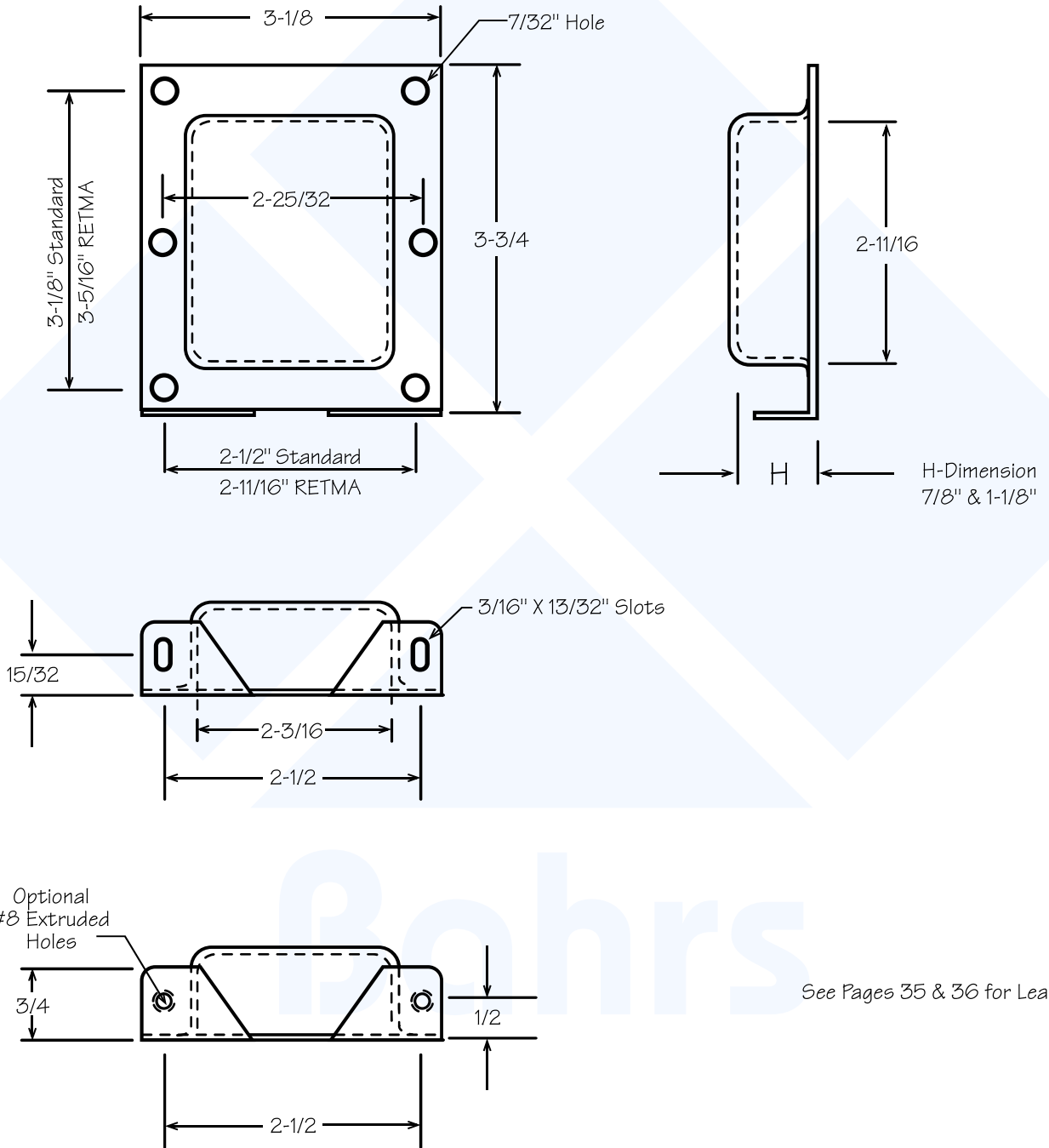
Vertical Cover

1-1/4" Lamination (22 Ga)

• Page 20

VC-300

NOTE: RETMA Hole pattern
Four 0.136 corner holes only



See Pages 35 & 36 for Lead Exits

Tolerances:
Decimal ± 0.005 "
Fractional $\pm 1/64$ "

Material 22 GA
CRS—Colled Rolled Steel

Phone: (513) 793-8100
FAX: (513) 793-0624

Links E-Mail: sales@bahrsdie.com
Web: www.bahrsdie.com



Bahrs
Die & Stamping Co., Inc.
4375 Rossplain Rd., Cincinnati, OH 45236

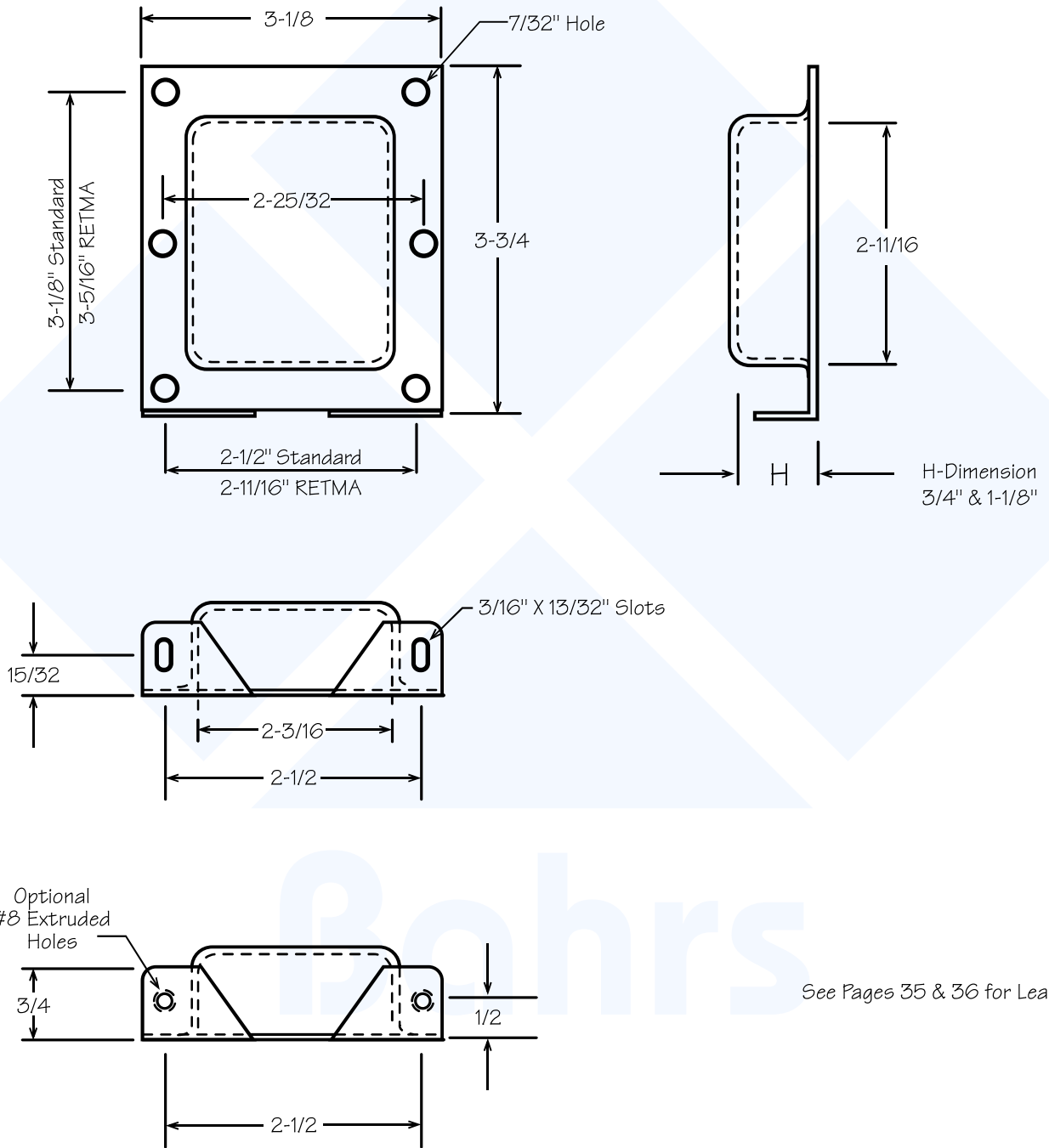
Vertical Cover

1-1/4" Lamination (18 Ga)

• Page 21

VC-300-18

NOTE: RETMA Hole Pattern
Four 0.136 Corner Holes Only



See Pages 35 & 36 for Lead Exits

Tolerances:
Decimal $\pm 0.005"$
Fractional $\pm 1/64"$

Material 18 GA
CRS—Colled Rolled Steel

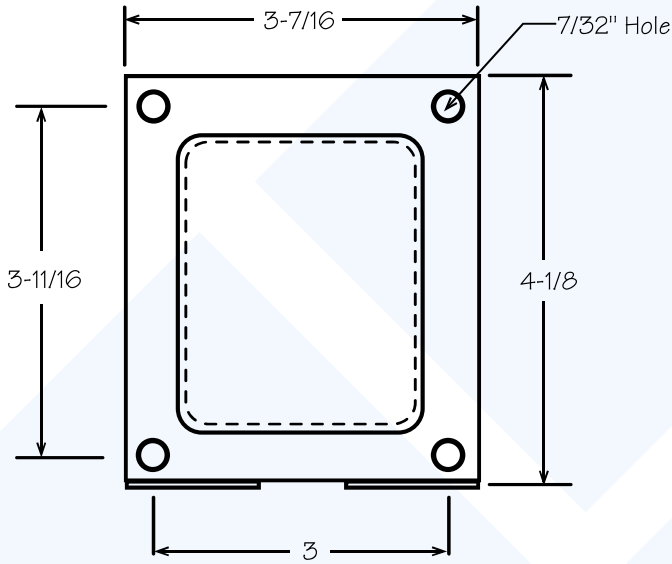
Phone: (513) 793-8100
FAX: (513) 793-0624

Links E-Mail: sales@bahrsdie.com
Web: www.bahrsdie.com

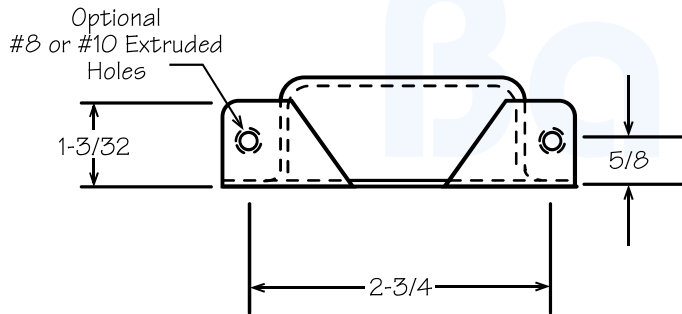
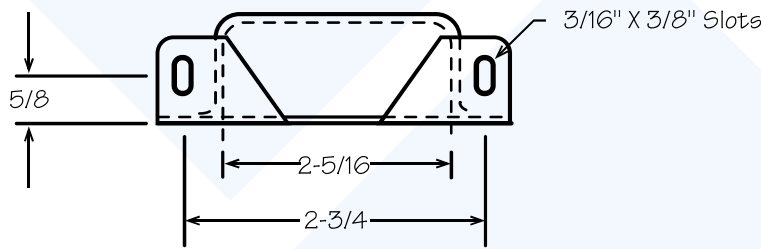


Bahrs
Die & Stamping Co., Inc.
4375 Rossplain Rd., Cincinnati, OH 45236

VC-400 RETMA Holes



H-Dimension
 15/16" & 1-3/16"



See Pages 35 & 36 for Lead Exits

Tolerances:
 Decimal $\pm 0.005"$
 Fractional $\pm 1/64"$

Material 22 GA
 CRS—Colled Rolled Steel

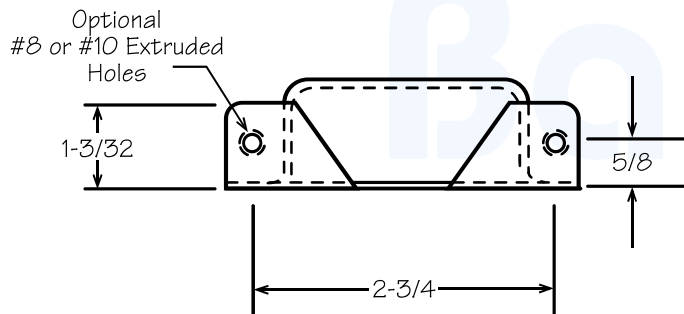
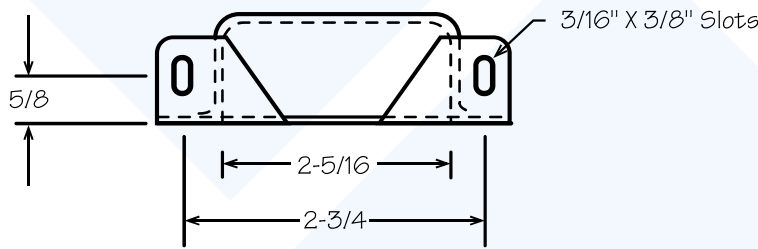
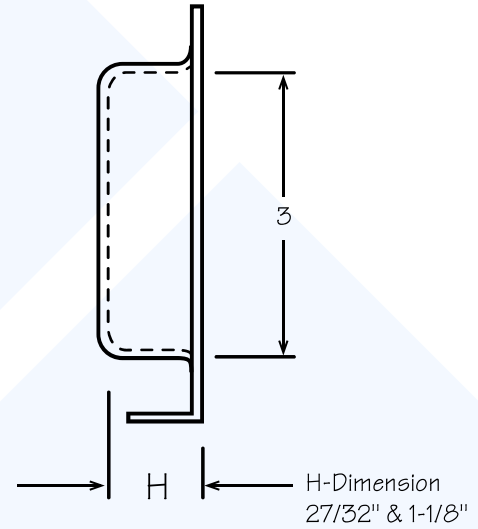
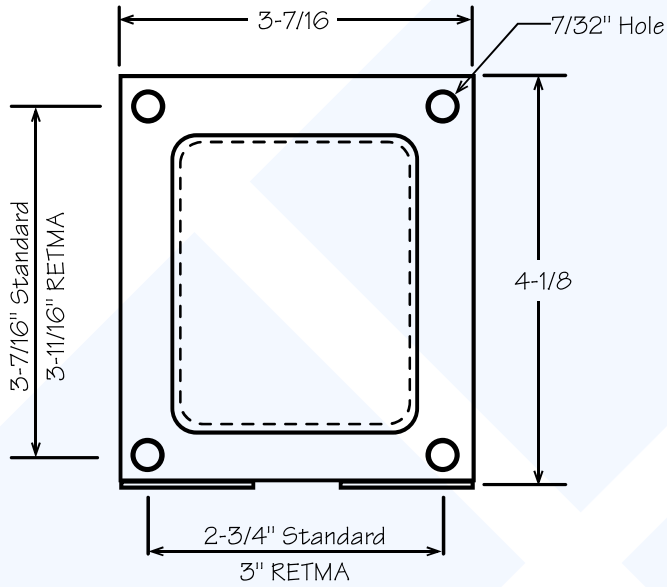
Phone: (513) 793-8100
 FAX: (513) 793-0624

Links E-Mail: sales@bahrsdie.com
 Web: www.bahrsdie.com



Bahrs
 Die & Stamping Co., Inc.
 4375 Rossplain Rd., Cincinnati, OH 45236

VC-400



See Pages 35 & 36 for Lead Exits

Tolerances:
 Decimal ± 0.005 "
 Fractional $\pm 1/64$ "

Material 18 GA
 CRS—Colled Rolled Steel

Phone: (513) 793-8100
 FAX: (513) 793-0624

Links E-Mail: sales@bahrsdie.com
 Web: www.bahrsdie.com



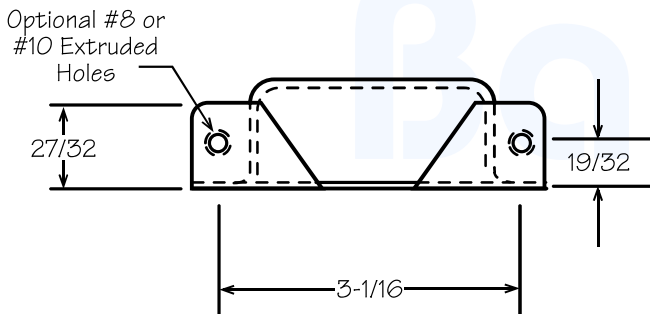
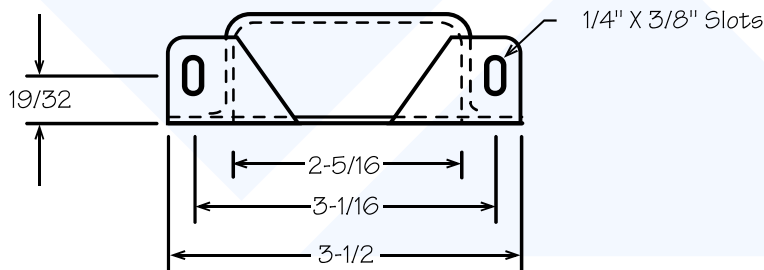
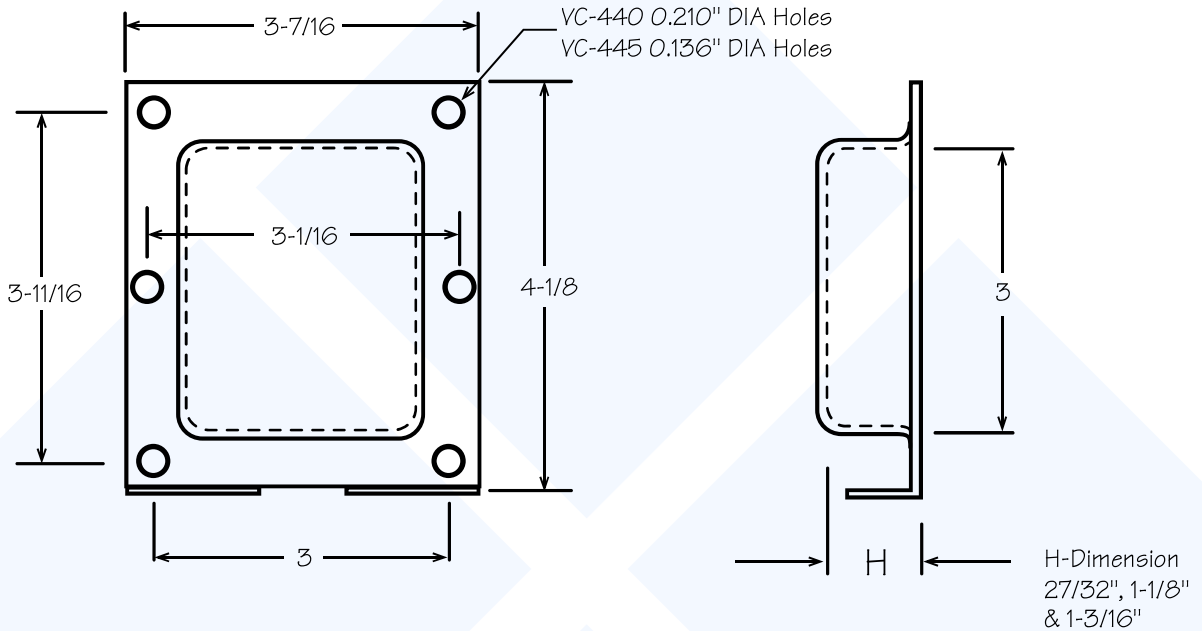
Bahrs
 Die & Stamping Co., Inc.
 4375 Rossplain Rd., Cincinnati, OH 45236

Vertical Cover

1-3/8" Lamination (18 Ga)

• Page 24

VC-440, VC-445



See Pages 35 & 36 for Lead Exits

Tolerances: Material 18 GA
Decimal $\pm 0.005"$ CRS—Colled Rolled Steel
Fractional $\pm 1/64"$

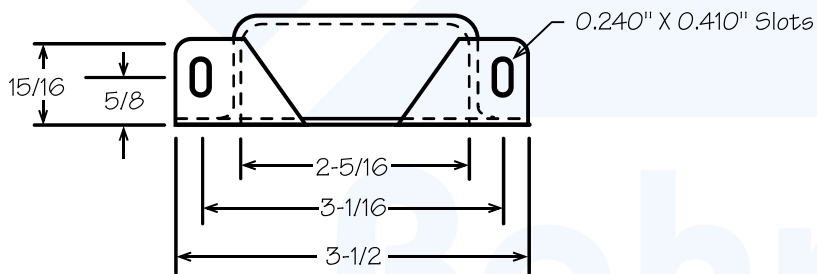
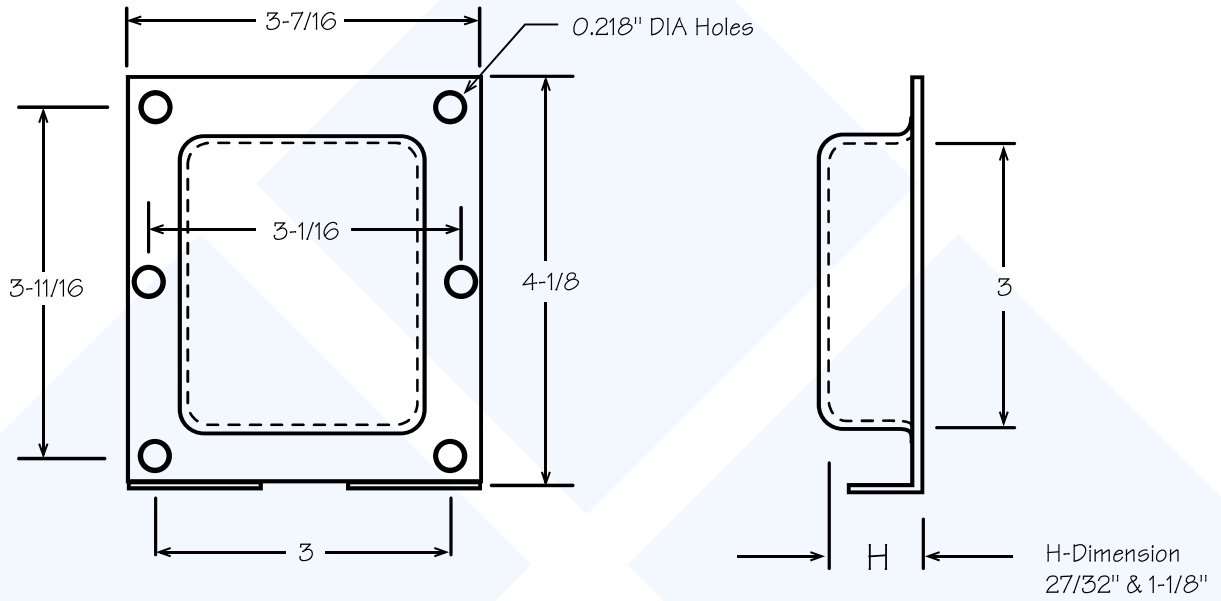
Phone: (513) 793-8100
FAX: (513) 793-0624

Links E-Mail: sales@bahrsdie.com
Web: www.bahrsdie.com



Bahrs
Die & Stamping Co., Inc.
4375 Rossplain Rd., Cincinnati, OH 45236

VC-470



See Pages 35 & 36 for Lead Exits

Tolerances:
 Decimal $\pm 0.005"$
 Fractional $\pm 1/64"$

Material 18 GA
 CRS—Colled Rolled Steel

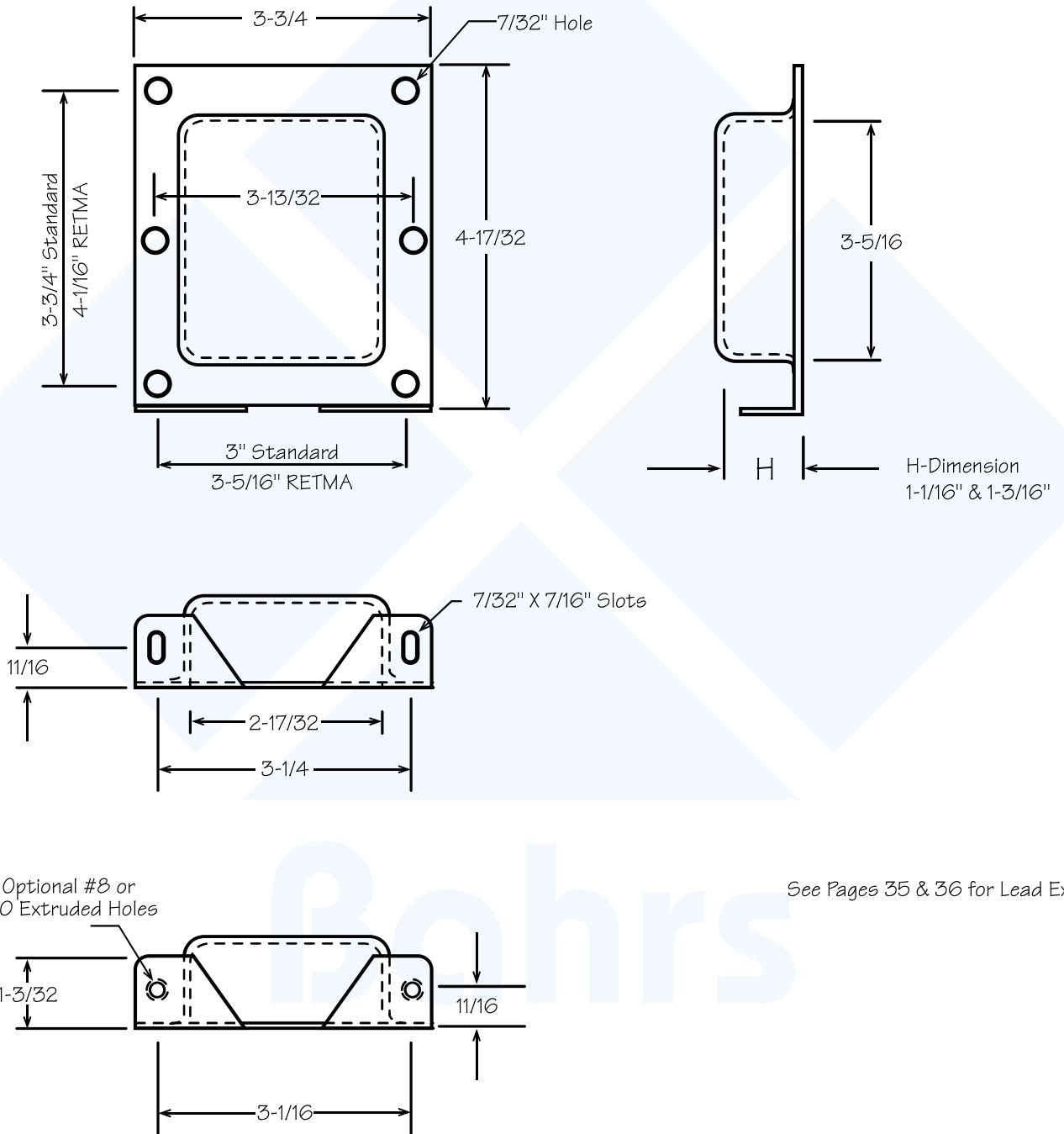
Phone:(513)793-8100
 FAX:(513)793-0624

Links E-Mail: sales@bahrsdie.com
 Web: www.bahrsdie.com



Bahrs
 Die & Stamping Co., Inc.
 4375 Rossplain Rd., Cincinnati, OH 45236

VC-500



See Pages 35 & 36 for Lead Exits

Tolerances:
 Decimal ± 0.005 "
 Fractional $\pm 1/64$ "

Material 20 GA
 CRS—Colled Rolled Steel

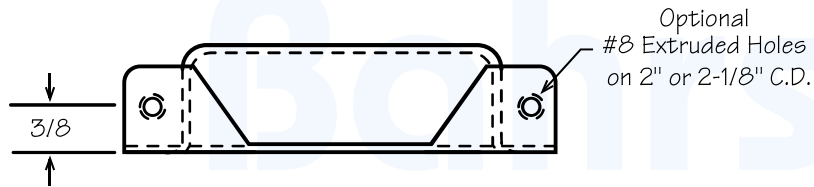
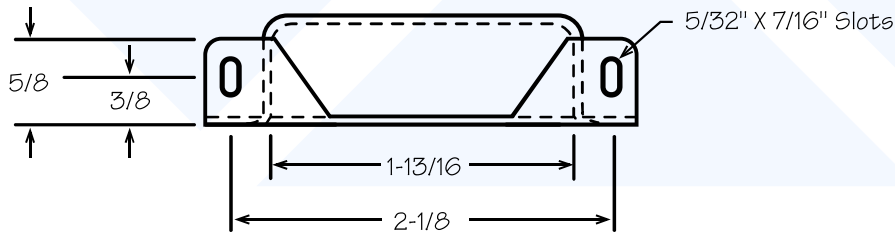
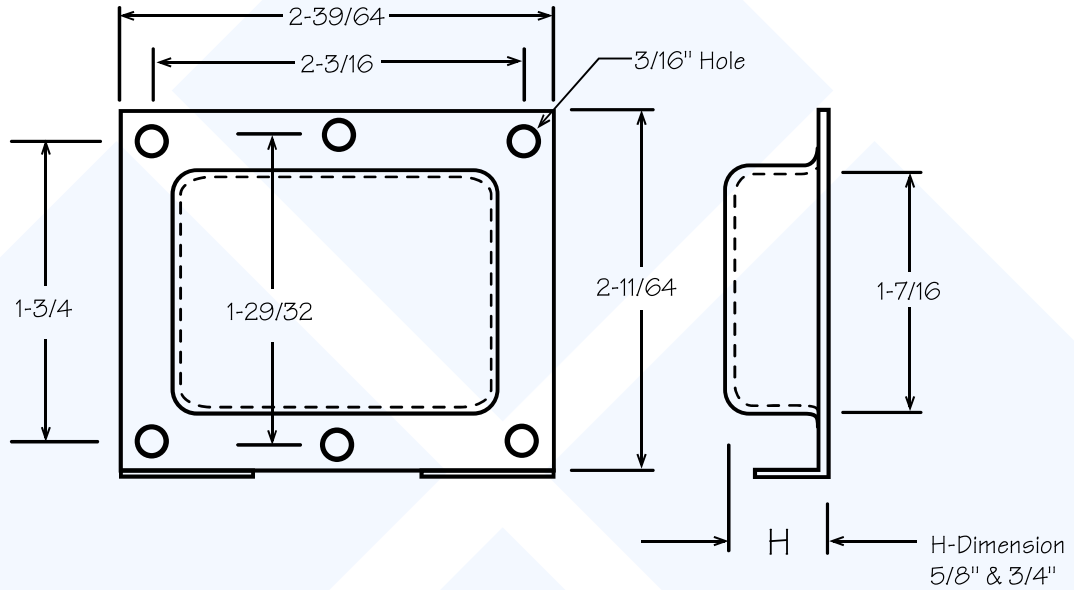
Phone: (513) 793-8100
 FAX: (513) 793-0624

Links E-Mail: sales@bahrsdie.com
 Web: www.bahrsdie.com



Bahrs
 Die & Stamping Co., Inc.
 4375 Rossplain Rd., Cincinnati, OH 45236

HC-87



See Pages 35 & 36 for Lead Exits

Tolerances:
 Decimal $\pm 0.005"$
 Fractional $\pm 1/64"$

Material 22 GA
 CRS—Colled Rolled Steel

Phone: (513) 793-8100
 FAX: (513) 793-0624

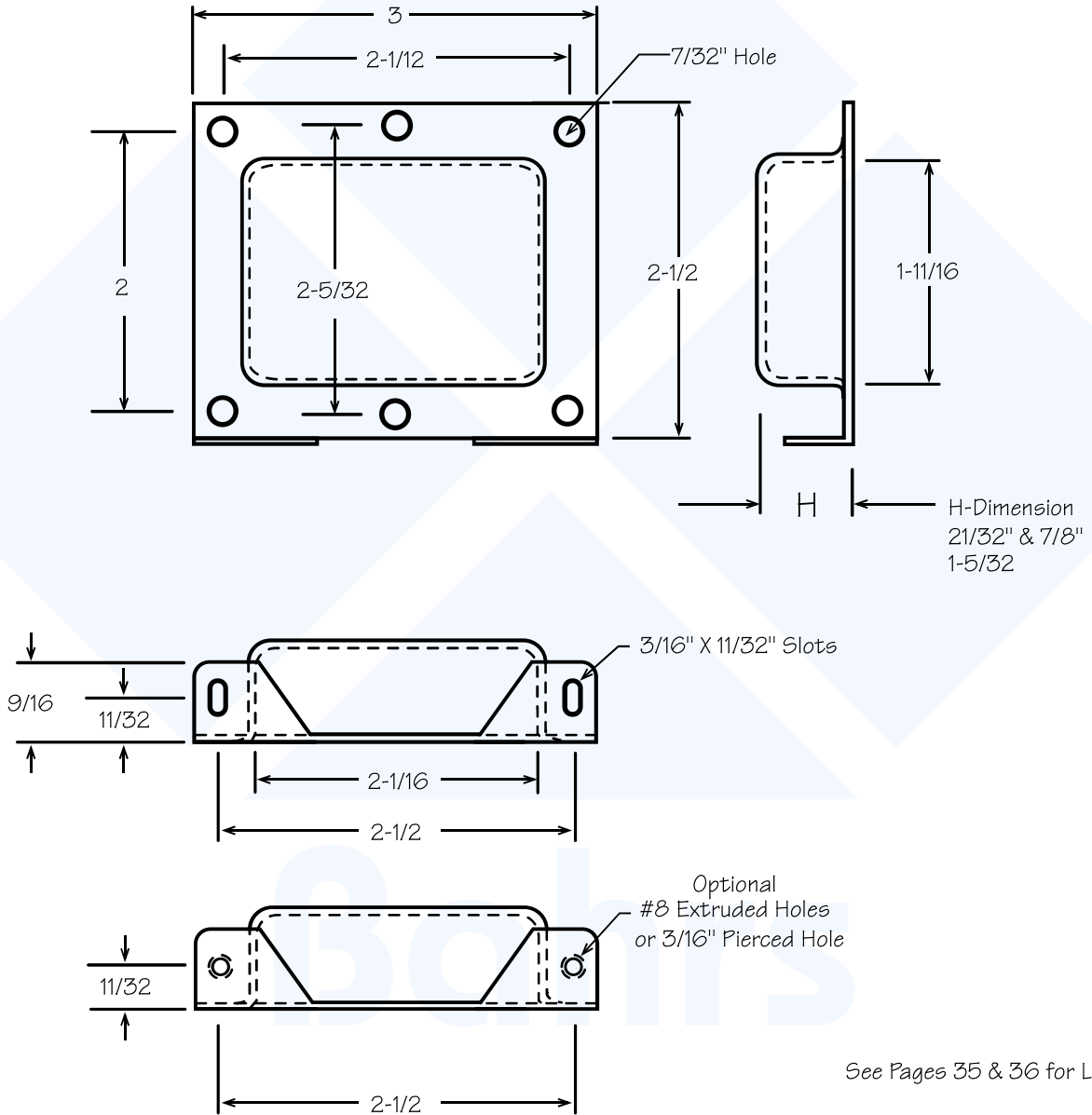
Links E-Mail: sales@bahrsdie.com
 Web: www.bahrsdie.com



Bahrs

Die & Stamping Co., Inc.
 4375 Rossplain Rd., Cincinnati, OH 45236

HC-100



See Pages 35 & 36 for Lead Exits

Tolerances:
Decimal ± 0.005 "
Fractional $\pm 1/64$ "

Material 22 GA
CRS—Colled Rolled Steel

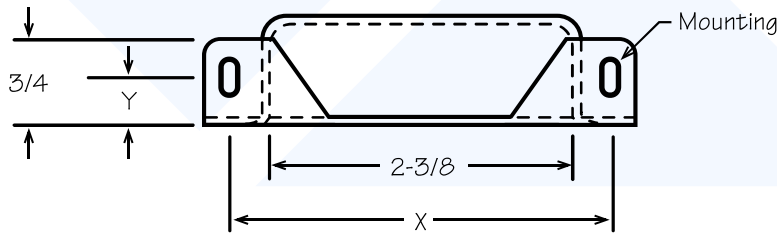
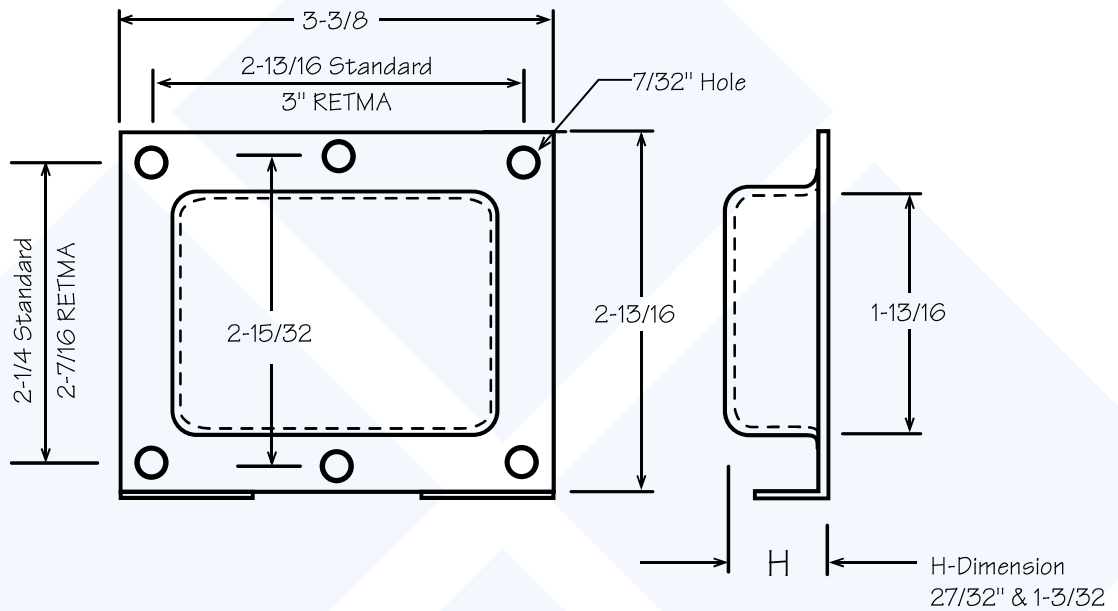
Phone: (513) 793-8100
FAX: (513) 793-0624

Links E-Mail: sales@bahrsdie.com
Web: www.bahrsdie.com



Bahrs
Die & Stamping Co., Inc.
4375 Rossplain Rd., Cincinnati, OH 45236

HC-200



See Pages 35 & 36 for Lead Exits

Mounting	X	Y
3/16" X 3/8" Slot	2-1/2"	3/8"
#8 Extrusion	2-1/2"	3/8"
13/64" X 3/8" Slot	2-13/16"	3/8" Standard Only
3/16" X 3/8" Slot	2-13/16"	13/32" RETMA Only

Tolerances:
 Decimal $\pm 0.005"$
 Fractional $\pm 1/64"$

Material 22 GA
 CRS—Colled Rolled Steel

Phone: (513) 793-8100
 FAX: (513) 793-0624

Links E-Mail: sales@bahrsdie.com
 Web: www.bahrsdie.com



Bahrs

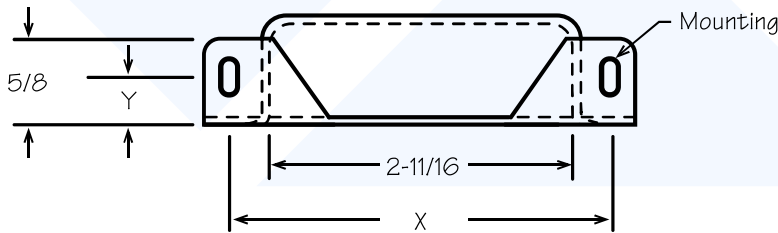
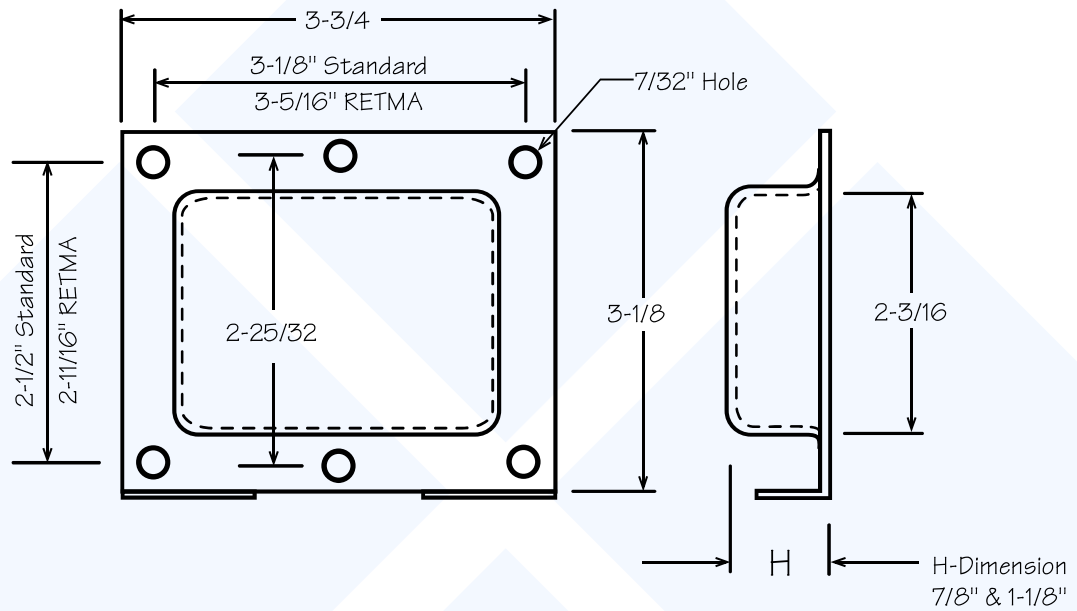
Die & Stamping Co., Inc.
 4375 Rossplain Rd., Cincinnati, OH 45236

Horizontal Cover

1-1/4" Lamination (22 Ga)

• Page 30

HC-300



See Pages 35 & 36 for Lead Exits

Mounting	X	Y
7/32" X 3/8" Slot	3-1/4"	3/8"
#8 Extrusion	2-1/2"	3/8"
#8 Extrusion	3-1/16"	3/8"
#10 Extrusion	2-1/2"	3/8"
#10 Extrusion	3-1/16"	3/8"
3/16" X 3/8" Slot	2-1/2"	3/8"

Tolerances:
Decimal $\pm 0.005"$
Fractional $\pm 1/64"$

Material 22 GA
CRS—Colled Rolled Steel

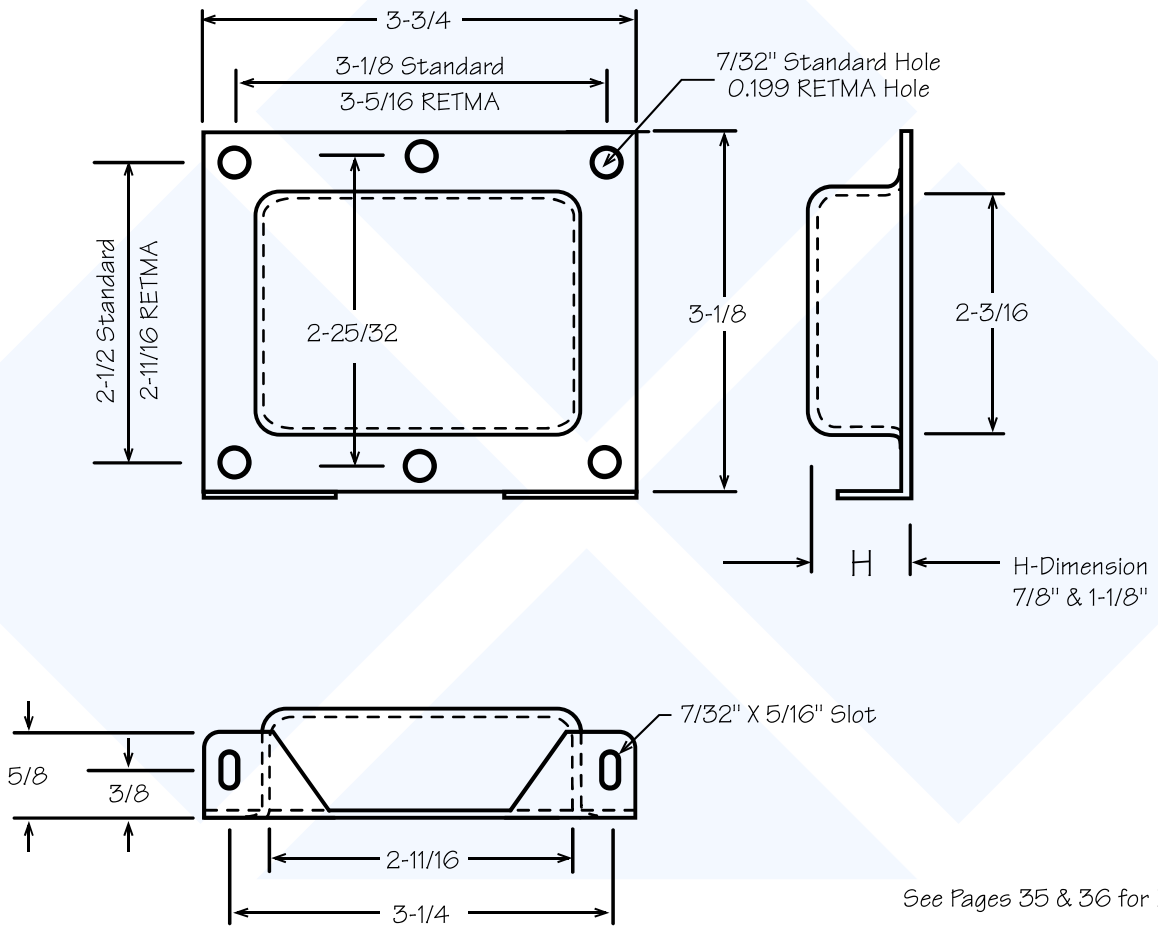
Phone: (513) 793-8100
FAX: (513) 793-0624

Links E-Mail: sales@bahrsdie.com
Web: www.bahrsdie.com



Bahrs
Die & Stamping Co., Inc.
4375 Rossplain Rd., Cincinnati, OH 45236

HC-300-18



See Pages 35 & 36 for Lead Exits

Tolerances:
 Decimal ± 0.005 "
 Fractional $\pm 1/64$ "

Material 18 GA
 CRS—Colled Rolled Steel

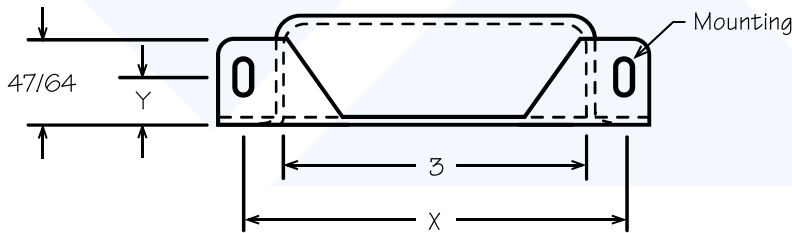
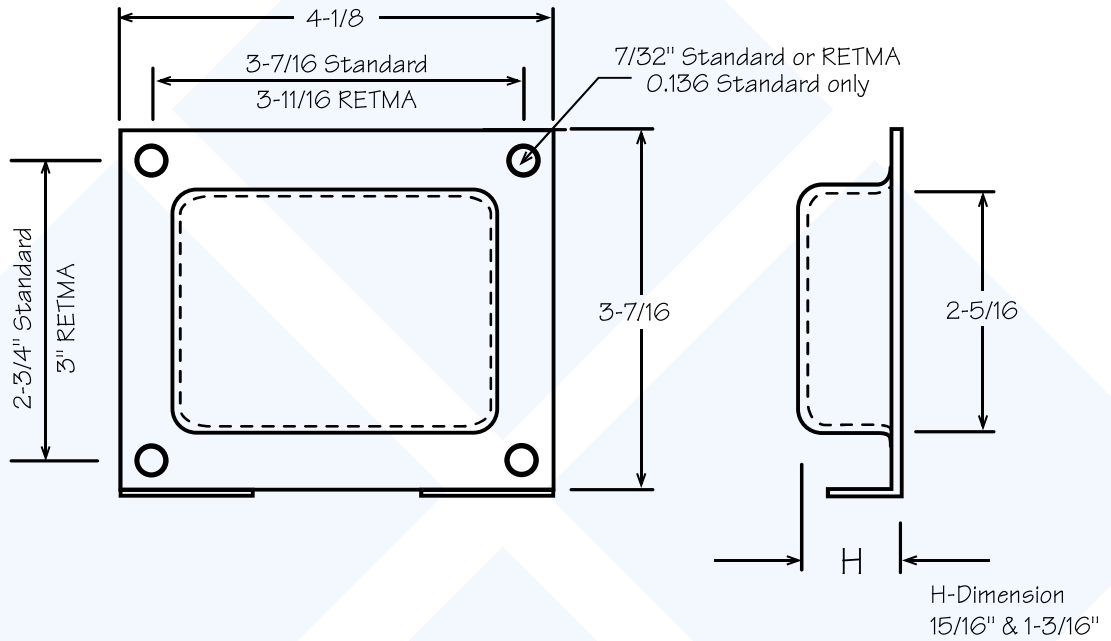
Phone: (513) 793-8100
 FAX: (513) 793-0624

Links E-Mail: sales@bahrsdie.com
 Web: www.bahrsdie.com



Bahrs
 Die & Stamping Co., Inc.
 4375 Rossplain Rd., Cincinnati, OH 45236

HC-400



See Pages 35 & 36 for Lead Exits

Mounting	X	Y
3/16" X 3/8" Slot	3-7/16"	3/8"
#8 Extrusion	3-1/16"	3/8"
#10 Extrusion	3-1/16"	3/8"

Tolerances:
 Decimal $\pm 0.005"$
 Fractional $\pm 1/64"$

Material 22 GA
 CRS—Colled Rolled Steel

Phone: (513) 793-8100
 FAX: (513) 793-0624

Links E-Mail: sales@bahrsdie.com
 Web: www.bahrsdie.com



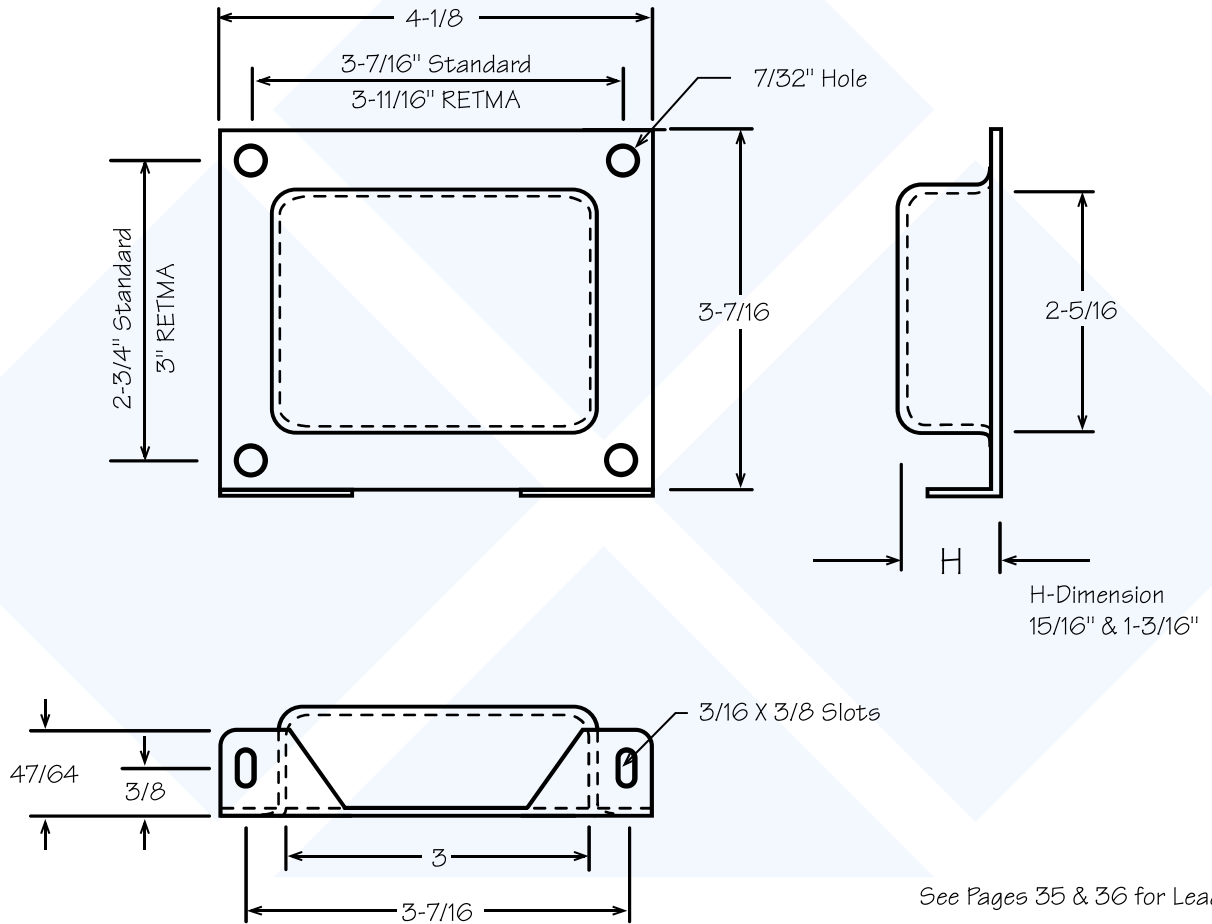
Bahrs
 Die & Stamping Co., Inc.
 4375 Rossplain Rd., Cincinnati, OH 45236

Horizontal Cover

**1-3/8" Lamination
(18 Ga)**

• Page 33

HC-400-18



Tolerances:
Decimal ± 0.005 "
Fractional $\pm 1/64$ "

Material 18 GA
CRS—Colled Rolled Steel

Phone: (513) 793-8100
FAX: (513) 793-0624

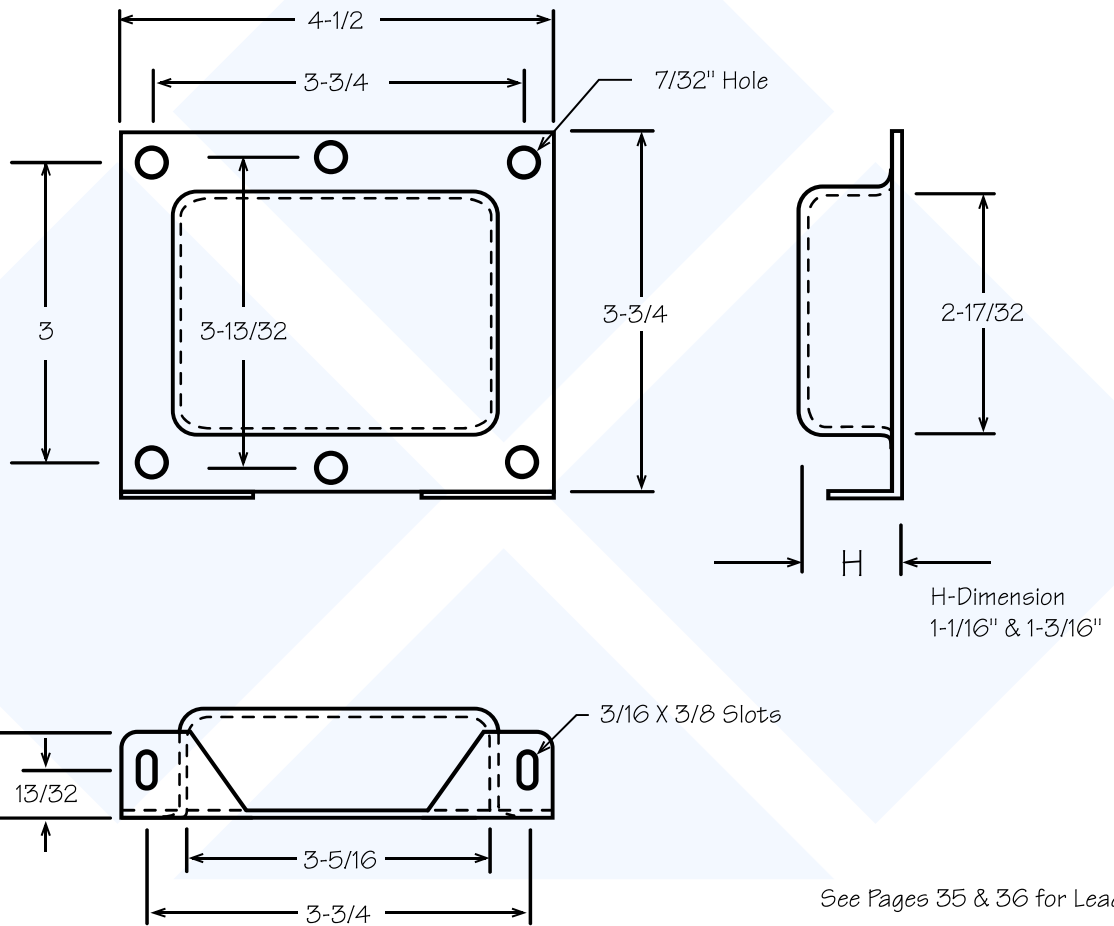
Links

E-Mail: sales@bahrsdie.com
Web: www.bahrsdie.com



Bahrs
Die & Stamping Co., Inc.
4375 Rossplain Rd., Cincinnati, OH 45236

HC-500



See Pages 35 & 36 for Lead Exits

Tolerances:

Material 22 GA
CRS—Colled Rolled Steel

Phone: (513) 793-8100
FAX: (513) 793-0624

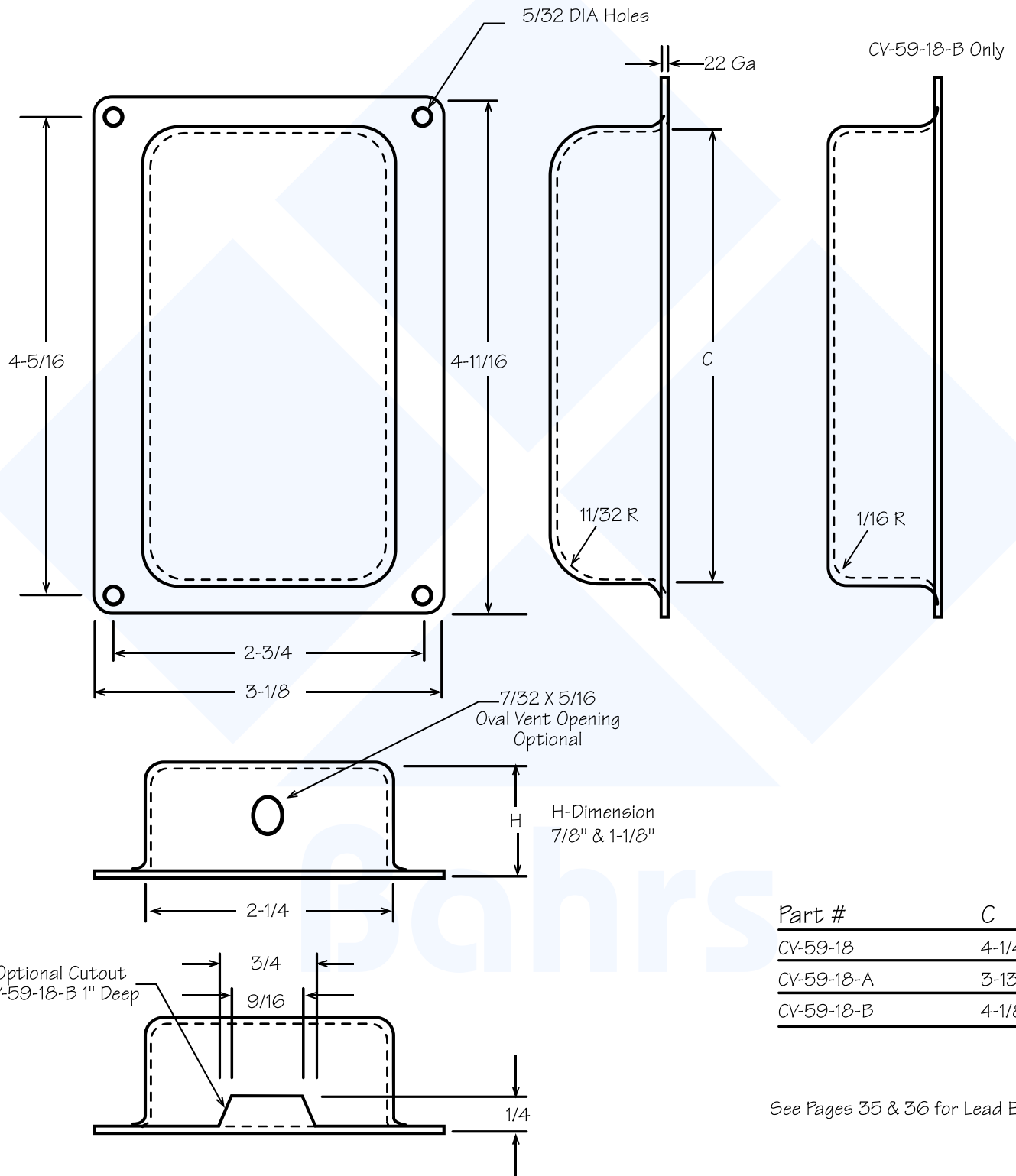
Links

E-Mail: sales@bahrsdie.com
Web: www.bahrsdie.com



Bahrs

Die & Stamping Co., Inc.
4375 Rossplain Rd., Cincinnati, OH 45236



Part #	C
CV-59-18	4-1/4
CV-59-18-A	3-13/16
CV-59-18-B	4-1/8

See Pages 35 & 36 for Lead Exits

Tolerances:
Decimal $\pm 0.005"$
Fractional $\pm 1/64"$

Material 22 GA
CRS—Colled Rolled Steel

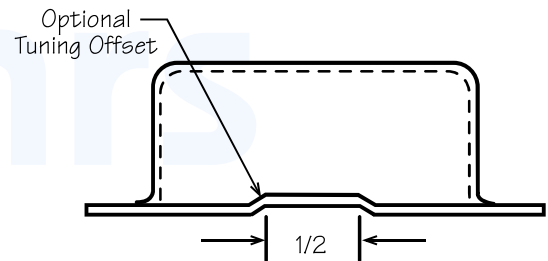
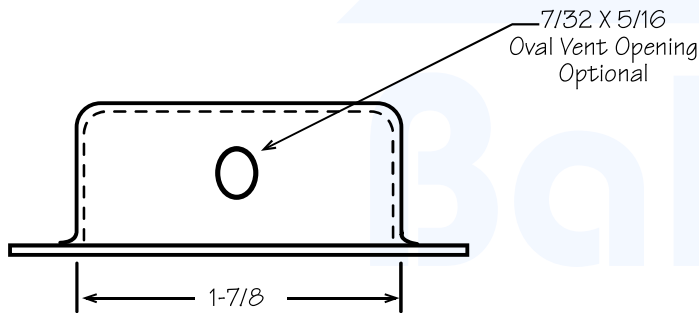
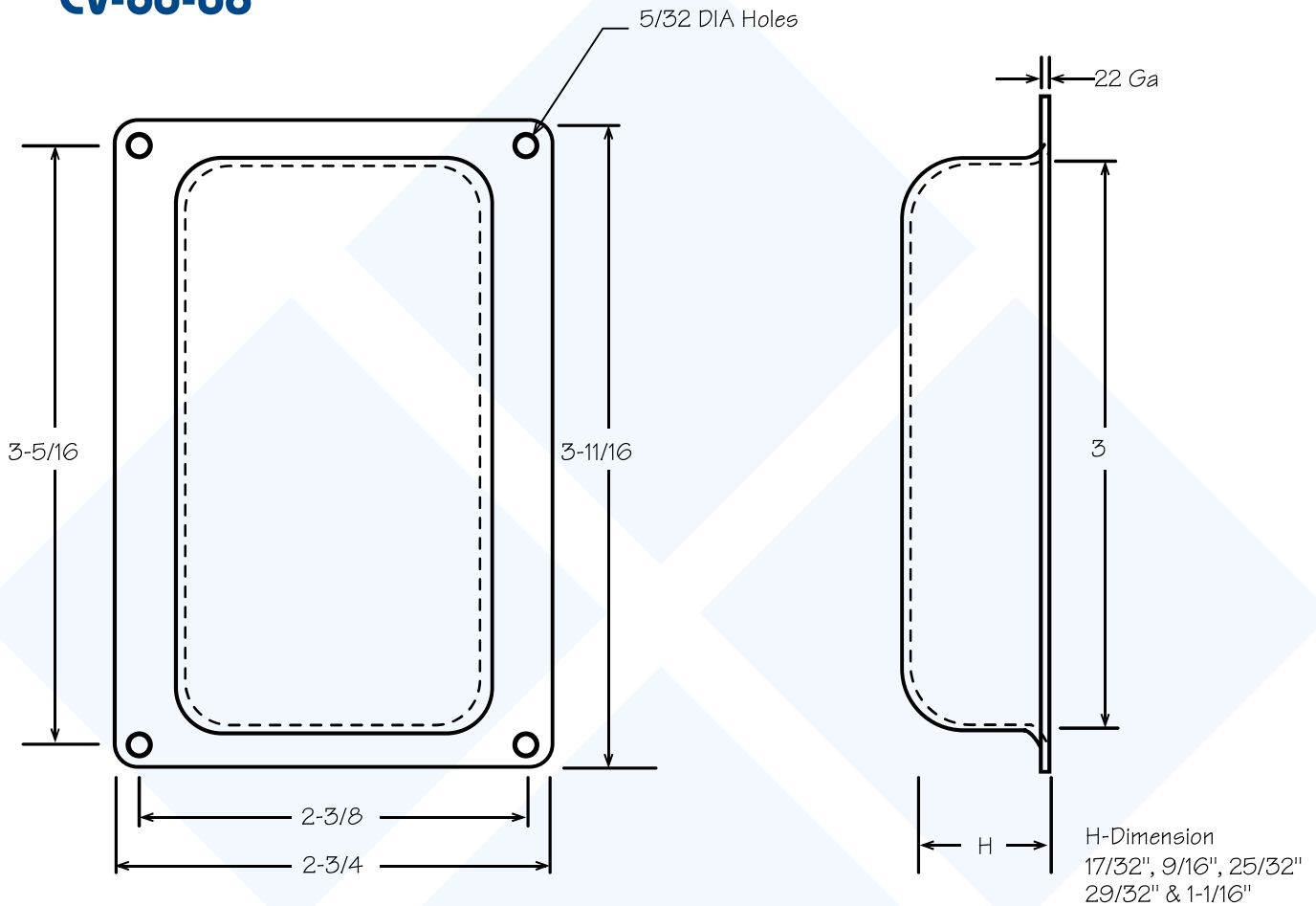
Phone: (513) 793-8100
FAX: (513) 793-0624

Links E-Mail: sales@bahrsdie.com
Web: www.bahrsdie.com



Bahrs
Die & Stamping Co., Inc.
4375 Rossplain Rd., Cincinnati, OH 45236

CV-60-08



CV-60-08-A

See Pages 35 & 36 for Lead Exits

Tolerances:
Decimal $\pm 0.005"$
Fractional $\pm 1/64"$

Material 22 GA
CRS—Colled Rolled Steel

Phone: (513) 793-8100
FAX: (513) 793-0624

Links E-Mail: sales@bahrsdie.com
Web: www.bahrsdie.com

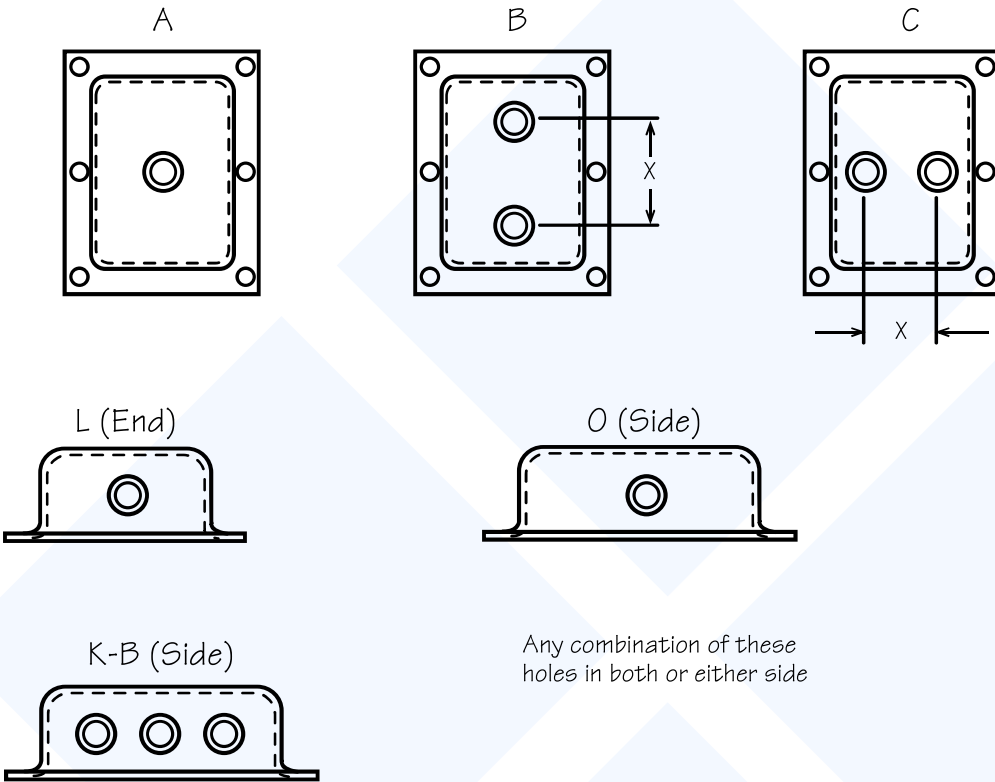


Bahrs
Die & Stamping Co., Inc.
4375 Rossplain Rd., Cincinnati, OH 45236

Lead Holes

Click to go to: Lead Holes Shields	38
Lead Slots Shields	39
Lead Holes Covers	40
Lead Slots/Cutouts	41
Lead Holes/Slots - Fully Mounted Covers	42
1/2" Pipe Nipple - Shields & Cover	43

Bahrs



Any combination of these holes in both or either side

For Pipe Nipple Detail See Page 38

Size Range	Style	Dia.	X Dim	Size Range	Style	Dia	X Dim
1/2 to 7/8	A	5/16		5/8 to 7/8	L	7/32	
3/4 to 7/8	A	3/8		5/8 to 7/8	L	5/16	
7/8	A	7/16		3/4 to 7/8	L	3/8	
7/8	A	9/16					
7/8	A	5/8		5/8 to 7/8	O	7/32	
				3/4 to 7/8	O	5/16	
3/4 to 7/8	B	5/16	11/16	7/8	O	3/8	
7/8	C	5/16	11/16	1/2 to 7/8	K-B	1/8	5/16
				1/2 to 7/8	K-B	3/16	5/16

Tolerances:
 Decimal $\pm 0.005"$
 Fractional $\pm 1/64"$

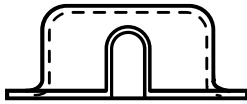
Phone:(513)793-8100
 FAX:(513)793-0624

Links E-Mail: sales@bahrsdie.com
 Web: www.bahrsdie.com

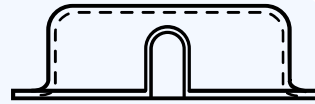


Bahrs
 Die & Stamping Co., Inc.
 4375 Rossplain Rd., Cincinnati, OH 45236

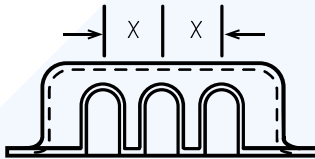
L-S (End)



O-S (Side)

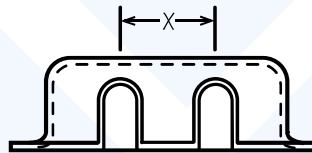


M (Side)

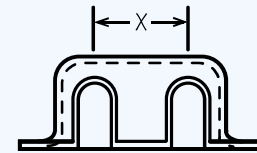


3/16 X 1/2 M-Slots
Min H. Dimensions = 5/8

NS (Side)



NLS (End)



Depth of Draw Must Be 3/32
Greater than Length Of Slot.

Size Range	Style	Slot	X Dim	Size Range	Style	Slot	X Dim
1/2 to 7/8	L-S	3/16 X 3/8		1/2 to 7/8	NS	1/8 X 3/8	7/16
5/8 to 7/8	L-S	5/16 X 7/16		1/2 to 7/8	NS	3/16 X 11/32	1/2
3/4 to 7/8	L-S	3/8 X 7/16					
3/4 to 7/8	L-S	1/2 X 1/2		5/8 to 7/8	NLS	1/8 X 3/8	7/16
				5/8 to 7/8	NLS	3/16 X 11/32	1/2
1/2 to 7/8	O-S	3/16 X 3/8					
1/2 to 7/8	O-S	5/16 X 7/16		3/4 to 7/8	M	3/16 X 1/2	29/64
3/4 to 7/8	O-S	3/8 X 7/16					
3/4 to 7/8	O-S	1/2 X 1/2					

Tolerances:
Decimal ± 0.005 "
Fractional $\pm 1/64$ "

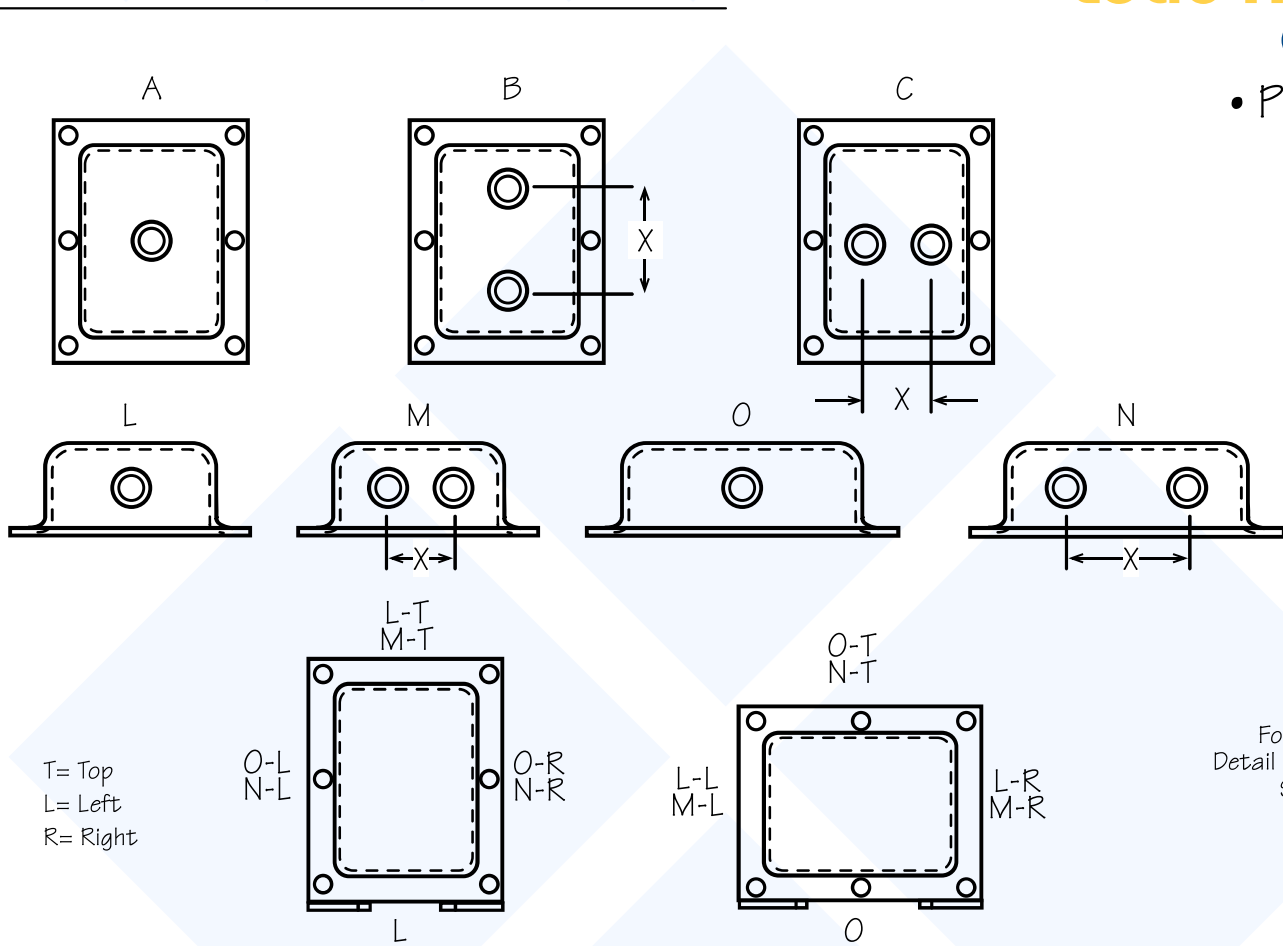
Phone: (513) 793-8100
FAX: (513) 793-0624

Links

E-Mail: sales@bahrsdie.com
Web: www.bahrsdie.com



Bahrs
Die & Stamping Co., Inc.
4375 Rossplain Rd., Cincinnati, OH 45236



Size Range	Style	Dia.	X-Dim	Size Range	Style	Dia.	X-Dim	Size Range	Style	Dia.	X-Dim
7/8 to 1-1/2	A	3/8		1-3/8 to 1-1/2	C	7/16	1	1-1/4 to 1-3/4	M	3/8	1-1/8
7/8 to 1-1/2	A	1/2		1-3/8 to 1-1/2	C	7/16	1-3/8	1-1/2	M	1/2	3/4
7/8 to 1-3/4	A	9/16		1-1/4 to 1-1/2	C	1/2	1	1-1/2	M	1/2	1-3/8
7/8 to 1-3/4	A	5/8		1-3/8 to 1-1/2	C	1/2	1-1/4	7/8 to 1-3/4	N	5/16	7/8
7/8 to 1-3/4	B	5/16	11/16	1-1/2	C	5/8	1-1/4	1 to 1-3/4	N	3/8	1-1/8
1 to 1-3/4	B	3/8	1-1/4	1-3/8 to 1-3/4	C	5/8	15/16	1-1/8 to 1-3/4	N	3/8	1-3/8
1 to 1-1/2	B	7/16	1	7/8 to 1-1/2	L	5/16		1-3/8 to 1-1/2	N	1/2	1-1/4
1-3/8 to 1-1/2	B	7/16	1-1/4	7/8 to 1-1/2	L	3/8		1-1/4 to 1-3/4	N	1/2	1-3/8
1 to 1-1/2	B	1/2	1	1 to 1-1/2	L	7/16		7/8 to 1-1/2	O	5/16	
1-3/8 to 1-3/4	B	1/2	1-1/4	1 to 1-3/4	L	1/2		7/8 to 1-1/2	O	3/8	
1-1/4 to 1-1/2	B	5/8	1-1/4	1-3/8 to 1-3/4	L	5/8		1 to 1-3/4	O	7/16	
1 to 1-3/4	B	5/8	15/16	1-1/2 to 1-3/4	L	11/16		1 to 1-3/4	O	1/2	
7/8 to 1-3/4	C	5/16	11/16	1 to 1-3/4	M	5/16	7/8	1-3/8 to 1-3/4	O	5/8	
1 to 1-1/2	C	3/8	7/8	1-1/2	M	3/8	1-3/8	1-1/2 to 1-3/4	O	11/16	

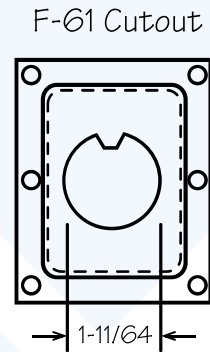
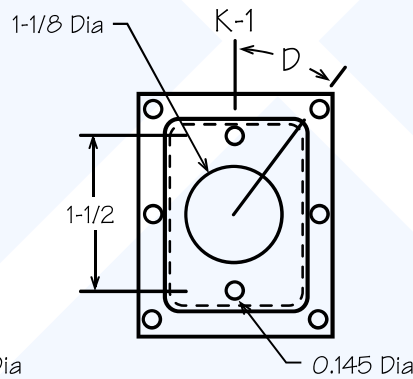
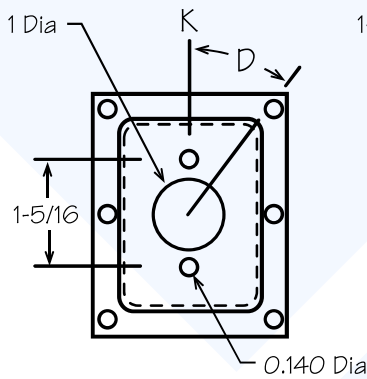
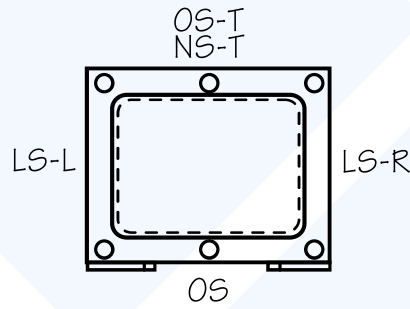
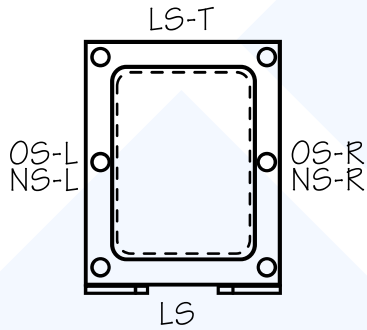
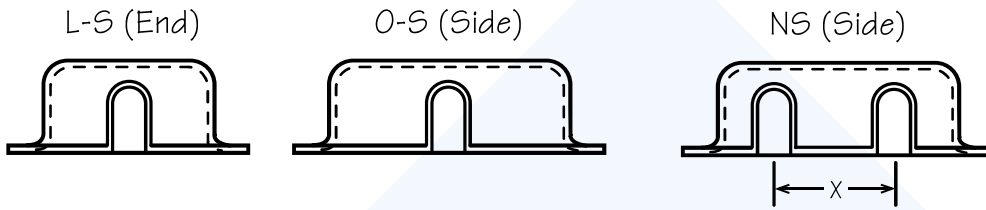
Tolerances:
Decimal $\pm 0.005"$
Fractional $\pm 1/64"$

Phone: (513) 793-8100
FAX: (513) 793-0624

Links E-Mail: sales@bahrsdie.com
Web: www.bahrsdie.com



Bahrs
Die & Stamping Co., Inc.
4375 Rossplain Rd., Cincinnati, OH 45236



T = TOP
L = LEFT
R = RIGHT

Size Range	Style	Slot	X-Dim	Size Range	Style	Max Rotation
7/8 to 1-1/4	LS	3/8 X 7/16		1-1/4 to 1-3/4	K	D=90°
1 to 1-3/4	LS	3/8 X 21/32				
1 to 1-3/4	LS	3/8 X 3/4		1	K-1	D=22-1/2°
1 to 1-3/4	LS	1/2 X 3/4		1-1/8	K-1	D=45°
7/8 to 1-1/4	OS	3/8 X 7/16		1-1/4 to 1-3/4	K-1	D=90°
1 to 1-3/4	OS	3/8 X 21/32				
1 to 1-3/4	OS	3/8 X 3/4		1 to 1-3/4	F-61	N/A
1 to 1-3/4	OS	1/2 X 3/4				
1-1/8 to 1-3/4	NS	3/8 X 3/4	1-3/8			

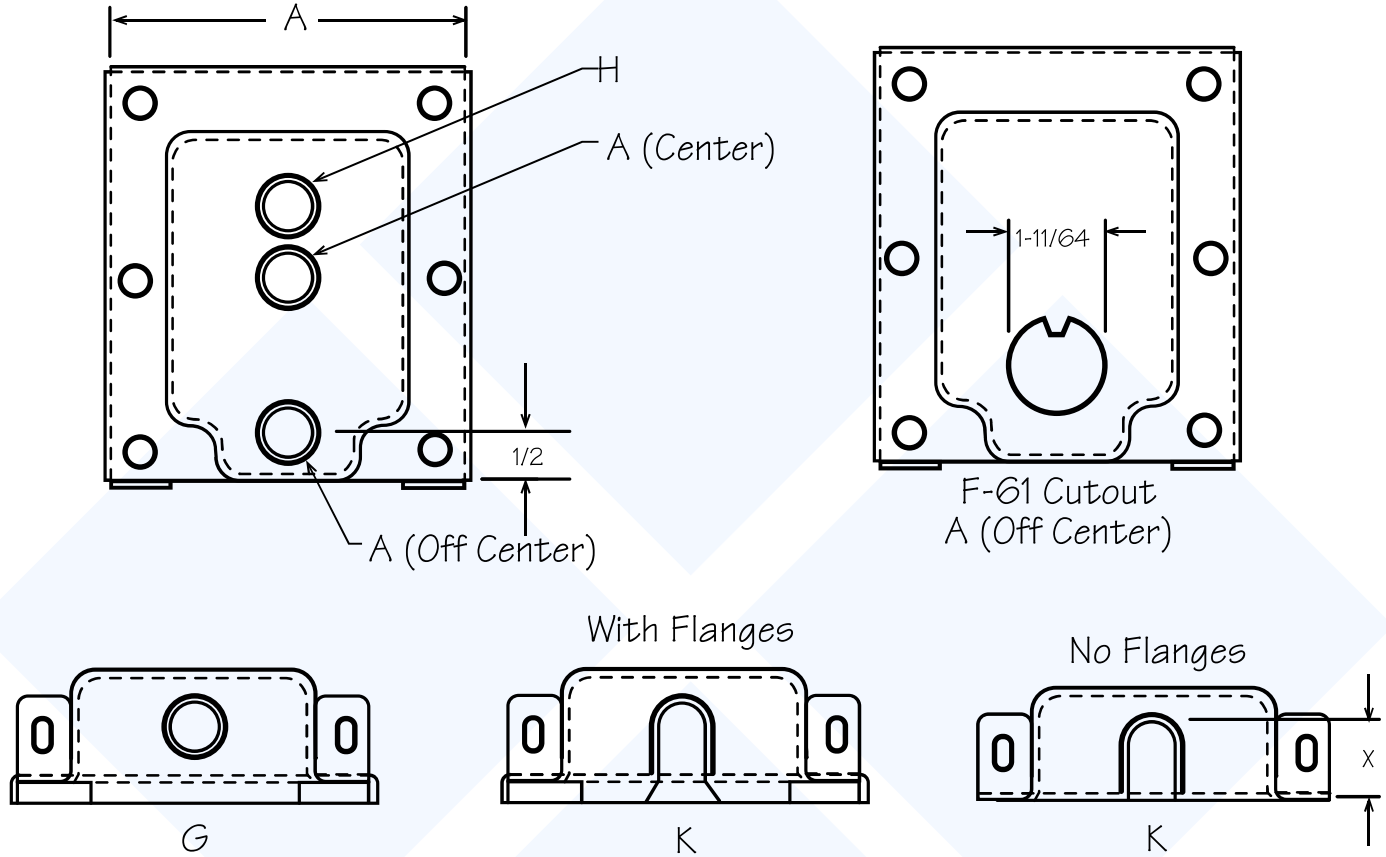
Tolerances:
Decimal $\pm 0.005"$
Fractional $\pm 1/64"$

Phone: (513) 793-8100
FAX: (513) 793-0624

Links E-Mail: sales@bahrsdie.com
Web: www.bahrsdie.com



Bahrs
Die & Stamping Co., Inc.
4375 Rossplain Rd., Cincinnati, OH 45236



Size Range	Style	Dia.	X-Dim	Size Range	Style	Dia.	X-Dim
1 to 2-1/8	A	3/8		1 to 1-1/2	G	1/4	
1 to 2-1/8	A	1/2		1 to 1-1/2	G	5/16	
1-1/4 to 2-1/8	A	5/8		1 to 1-1/2	G	3/8	
1 to 2-1/8	A	5/16, 3/8, 7/16, 1/2	Off Center	1-1/4 to 1-1/2	G	7/16	
1-1/4 to 2-1/8	A	5/8	Off Center	1 to 1-3/4	G	1/2	
1 to 2-1/8	A	F-61 Cutout	Off Center	1-1/4 to 1-3/4	G	5/8	
1-1/2 to 2-1/8	H	5/16		1 to 1-1/2	K	3/8 Slot	7/16
1 to 2-1/8	H	7/16		1 to 1-1/2	K	3/8 Slot	7/16, 9/16 5/8
				1-1/8 to 1-1/2	K	3/8 Slot	3/4
				1-1/4 to 1-3/4	K	1/2 Slot	11/16

Tolerances:
 Decimal $\pm 0.005''$
 Fractional $\pm 1/64''$

For Pipe Nipple Detail
 See Page 38

Phone: (513) 793-8100
 FAX: (513) 793-0624

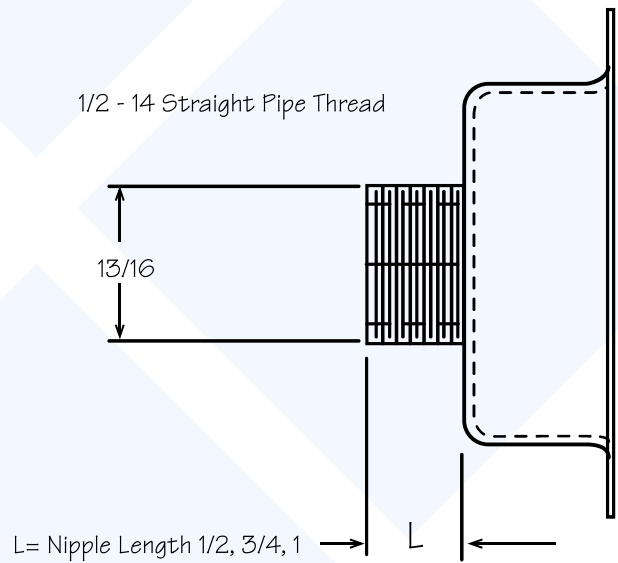
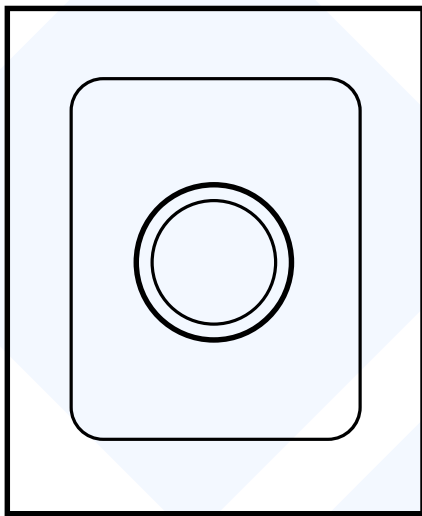
Links E-Mail: sales@bahrsdie.com
 Web: www.bahrsdie.com



Bahrs
 Die & Stamping Co., Inc.
 4375 Rossplain Rd., Cincinnati, OH 45236

1/2" Pipe Nipple Shields & Cover

• Page 43



1/2 Pipe Nipples are Available in All
26, 22, 20 & 18 GA Covers & Shields
In A & A-Off Center Positions

Tolerances:
Decimal $\pm 0.005"$
Fractional $\pm 1/64"$

Phone: (513) 793-8100
FAX: (513) 793-0624

Links

E-Mail: sales@bahrsdie.com
Web: www.bahrsdie.com



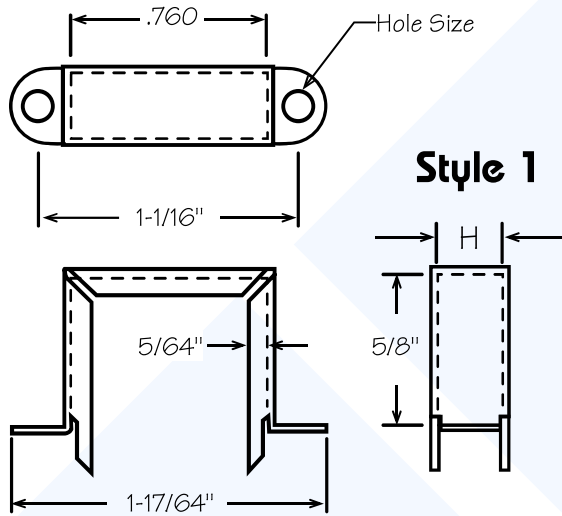
Bahrs
Die & Stamping Co., Inc.
4375 Rossplain Rd., Cincinnati, OH 45236

Frames

Click to go to: Horizontal Frame - 3/16" Lamination	45
Horizontal Frame - 1/4" Lamination	46
Horizontal Frame - 26 - 27 - 3/8" Lamination	47
Horizontal Frame - 3/8" Lamination	48
Horizontal Frame - 1/2" Lamination	49
Horizontal Frame - 5/8" Lamination	50
Horizontal Frame - 3/4" Lamination	51
Horizontal Frame - 7/8" Lamination	52
Horizontal Frame - 1" Lamination	53
Horizontal Frame - 1-1/8" Lamination	54
Vertical Frames - 1/4" Lamination	55
Vertical Frames - 3/8" Lamination	56
Vertical Frames - 1/2" Lamination	57
Vertical Frames - 5/8" Lamination	58
Vertical Frames - 3/4" Lamination	59
Vertical Frames - 7/8" Lamination	60
Vertical Frames - 1" Lamination	61

Horizontal Frame

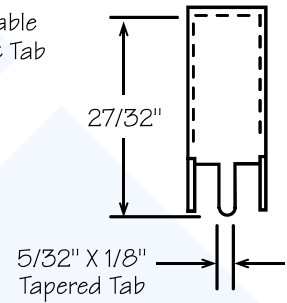
3/16" Lamination



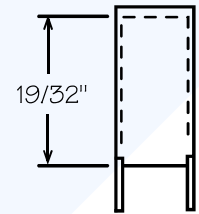
Style 1

Note: 3/16" X 3/16"
Style 4 available
1/8" Straight Tab

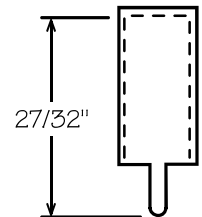
Style 4



Style 5



Style 7



Stock Items

3/16 X 3/16 — Style 1 (0.125), Style 4, Style 5 ETC only
3/16 X 1/4 — Style 4

Stack Height	Available Styles							Available Hole Sizes	A	H
	1	2	3	4	5	6	7			
3/16	X			X	X			0.125	3/16	13/64
1/4				X	X		X	N/A	N/A	17/64

Tolerances:
Decimal ± 0.005"
Fractional ± 1/64"

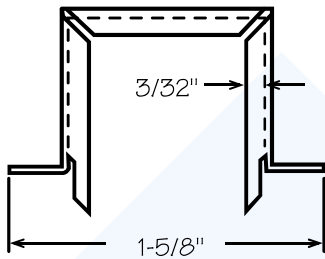
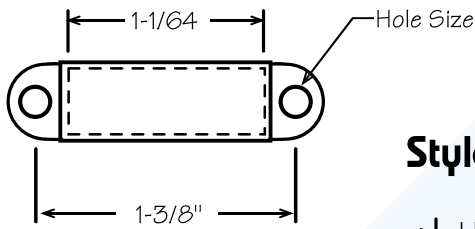
Material 26 GA
CRS—Colled Rolled Steel
ETC—Electro Tin Coated

Phone: (513) 793-8100
FAX: (513) 793-0624

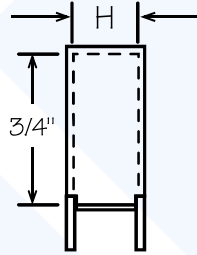
Links E-Mail: sales@bahrsdie.com
Web: www.bahrsdie.com



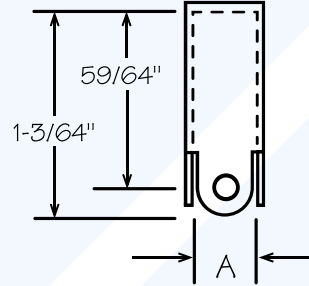
Bahrs
Die & Stamping Co., Inc.
4375 Rossplain Rd., Cincinnati, OH 45236



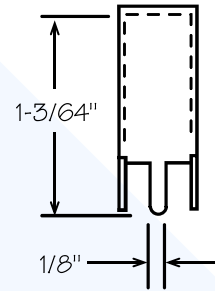
Style 1



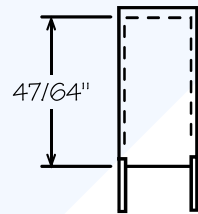
Style 2



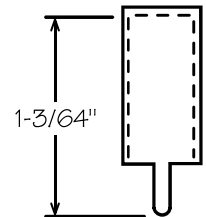
Style 4



Style 5



Style 7



Stock Items

1/4 X 1/4 - Style 1 (0.125/0.140), Style 4, Style 5 ETC only

1/4 X 3/8 - Style 1, Style 4

1/4 X 1/2 - Style 1, Style 4

Stack Height	Available Styles							Available Hole Sizes	A	H
	1	2	3	4	5	6	7			
1/4	X	X		X	X		X	0.098 Extru 0.125 0.140	1/4	17/64
3/8	X	X		X	X			0.125	1/4	25/64
1/2	X	X		X	X			0.125 0.156	3/8	33/64

Tolerances:
 Decimal $\pm 0.005"$
 Fractional $\pm 1/64"$

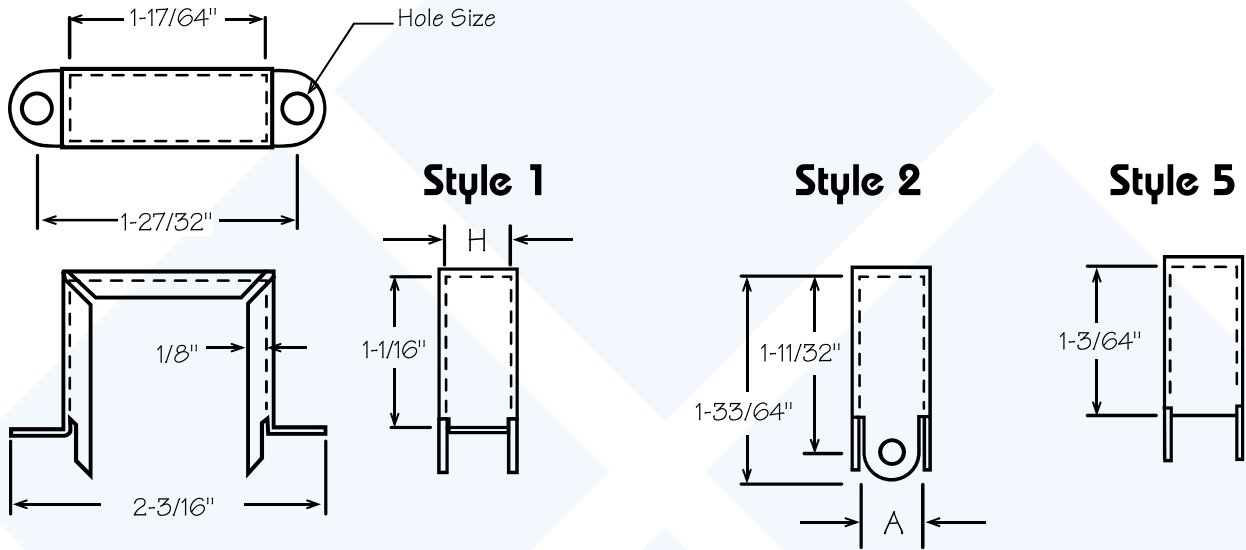
Material 26 GA
 CRS—Colled Rolled Steel
 ETC—Electro Tin Coated

Phone: (513) 793-8100
 FAX: (513) 793-0624

Links E-Mail: sales@bahrsdie.com
 Web: www.bahrsdie.com



Bahrs
 Die & Stamping Co., Inc.
 4375 Rossplain Rd., Cincinnati, OH 45236



Stock Items

26-27 X 3/8 - Style 1

Stack Height	Available Styles							Available Hole Sizes	A	H
	1	2	3	4	5	6	7			
3/8	X	X			X			0.187	11/32	25/64

Tolerances:
 Decimal $\pm 0.005"$
 Fractional $\pm 1/64"$

Material 22 GA
 CRS—Colled Rolled Steel
 ETC—Electro Tin Coated

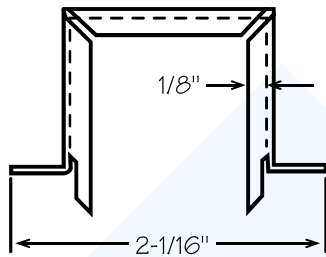
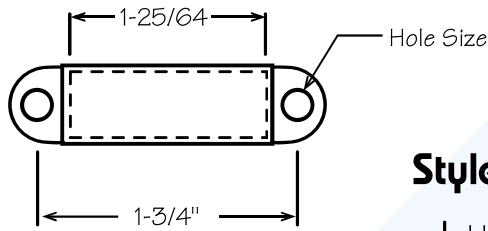
Phone: (513) 793-8100
 FAX: (513) 793-0624

Links E-Mail: sales@bahrsdie.com
 Web: www.bahrsdie.com

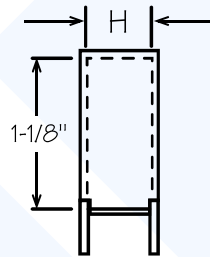


Bahrs

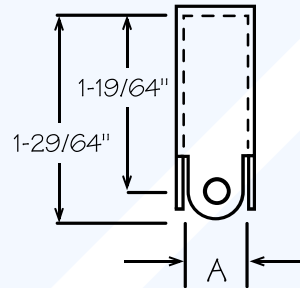
Die & Stamping Co., Inc.
 4375 Rossplain Rd., Cincinnati, OH 45236



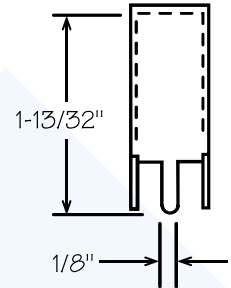
Style 1



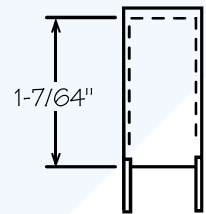
Style 2



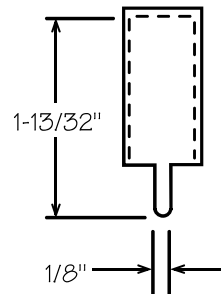
Style 4



Style 5



Style 7



Stock Items

3/8 X 1/4 - Style 1 (0.187)

3/8 X 3/8 - Style 1 (0.187), Style 4, Style 5 ETC only

3/8 X 1/2 - Style 1 (0.187) Style 4

Stack Height	Available Styles							Available Hole Sizes		A	H
	1	2	3	4	5	6	7				
1/4	X	X			X			0.098	0.150	1/4	17/64
							0.125	0.187			
							0.136				
3/8	X	X		X	X		X	0.136	0.187	3/8	25/64
								0.150	0.203		
								0.156			
1/2	X	X		X	X			0.140	0.203	7/16	33/64
								0.156			
								0.187	#6 Extru		

Tolerances:
 Decimal ± 0.005"
 Fractional ± 1/64"

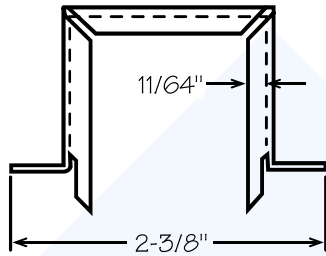
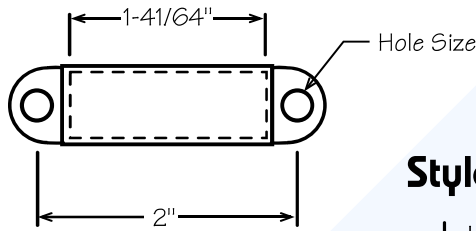
Material 22 GA
 CRS—Colled Rolled Steel
 ETC—Electro Tin Coated

Phone: (513) 793-8100
 FAX: (513) 793-0624

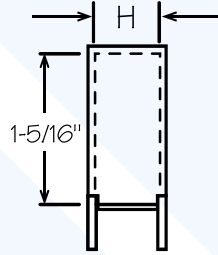
Links E-Mail: sales@bahrsdie.com
 Web: www.bahrsdie.com



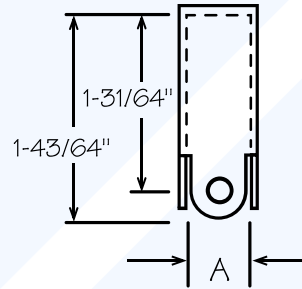
Bahrs
 Die & Stamping Co., Inc.
 4375 Rossplain Rd., Cincinnati, OH 45236



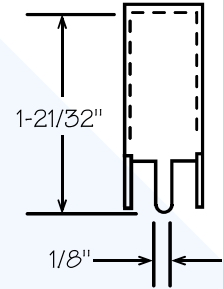
Style 1



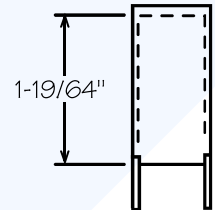
Style 2



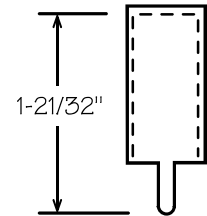
Style 4



Style 5



Style 7



Stock Items

- 1/2 X 3/8 - Style 1 (0.187)
- 1/2 X 1/2 - Style 1 (0.187), Style 4, Style 5 ETC only
- 1/2 X 5/8 - Style 1 (0.187)
- 1/2 X 3/4 - Style 1 (0.187)

Stack Height	Available Styles							Available Hole Sizes			A	H
	1	2	3	4	5	6	7					
3/8	X	X			X			0.138 0.140 0.156	0.187 #6 Extrude		3/8	25/64
1/2	X	X		X	X		X	0.125 0.136 0.156	0.168 0.187 0.199	0.200 #6 Extrude	1/2	33/64
5/8	X	X		X	X			0.136 0.156 0.187	0.203 3/16 X 1/4 Slots		5/8	41/64
3/4	X	X			X			0.140 0.187			3/4	49/64

Tolerances:
 Decimal ± 0.005"
 Fractional ± 1/64"

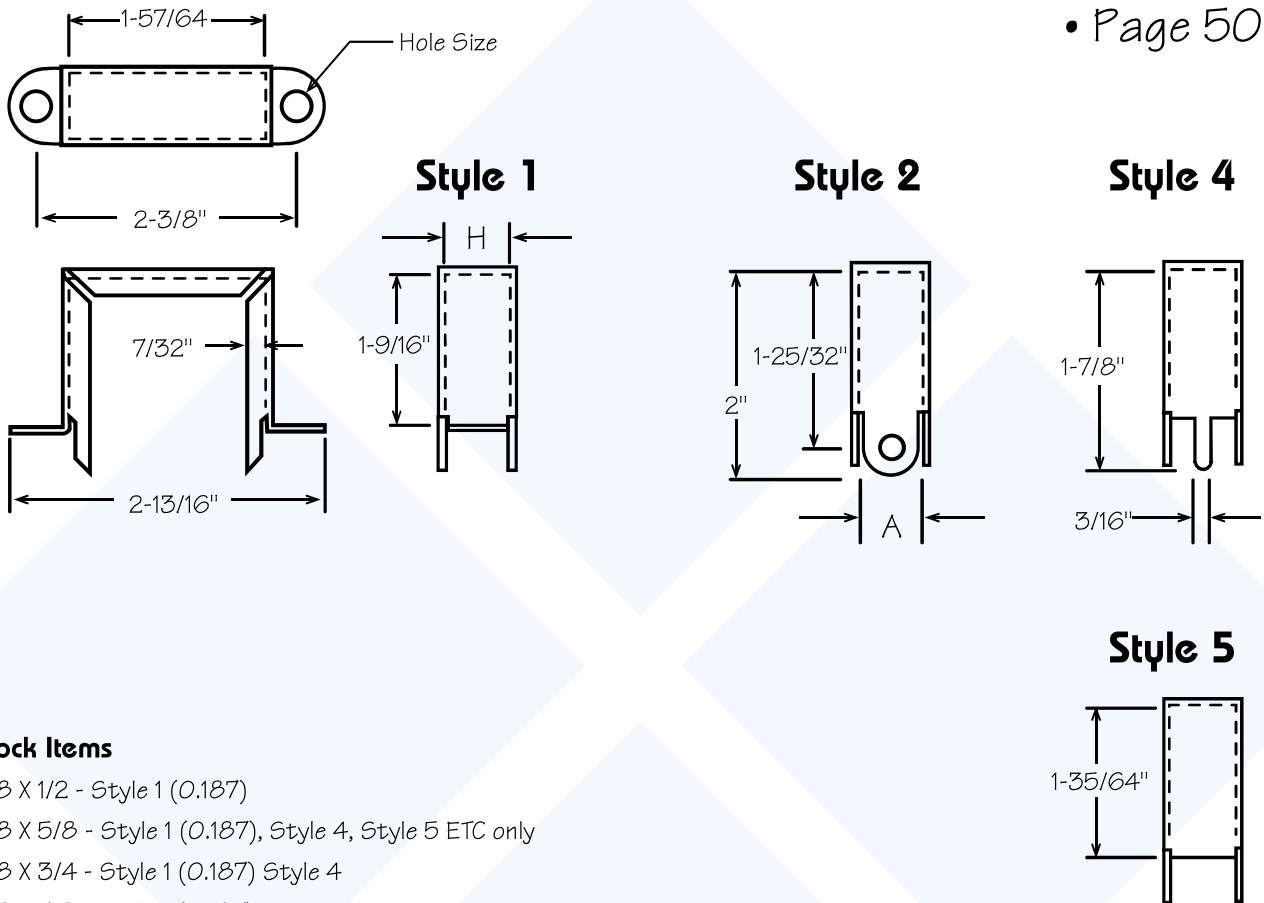
Material 22 GA
 CRS—Colled Rolled Steel
 ETC—Electro Tin Coated

Phone: (513) 793-8100
 FAX: (513) 793-0624

Links E-Mail: sales@bahrsdie.com
 Web: www.bahrsdie.com



Bahrs
 Die & Stamping Co., Inc.
 4375 Rossplain Rd., Cincinnati, OH 45236



Stock Items

- 5/8 X 1/2 - Style 1 (0.187)
- 5/8 X 5/8 - Style 1 (0.187), Style 4, Style 5 ETC only
- 5/8 X 3/4 - Style 1 (0.187) Style 4
- 5/8 X 7/8 - Style 1 (0.187)
- 5/8 X 1 - Style 1 (0.187)

Stack Height	Available Styles							Available Hole Sizes	A	H
	1	2	3	4	5	6	7			
1/2	X	X			X			0.125 0.187 0.195 3/16 X 1/4 Slots	7/16	33/64
5/8	X	X		X	X			0.120 0.140 0.187 #6 Extru #8 Extru 3/16 X 1/4 Slots	5/8	41/64
3/4	X	X		X	X			0.125 0.156 0.187 0.203 0.218 #8 Extru #6 Extru	3/4	49/64
7/8	X	X			X			0.187 3/16 X 9/32 Slots	13/16	57/64
1	X	X			X			0.187	7/8	1-1/64

Tolerances:
 Decimal ± 0.005"
 Fractional ± 1/64"

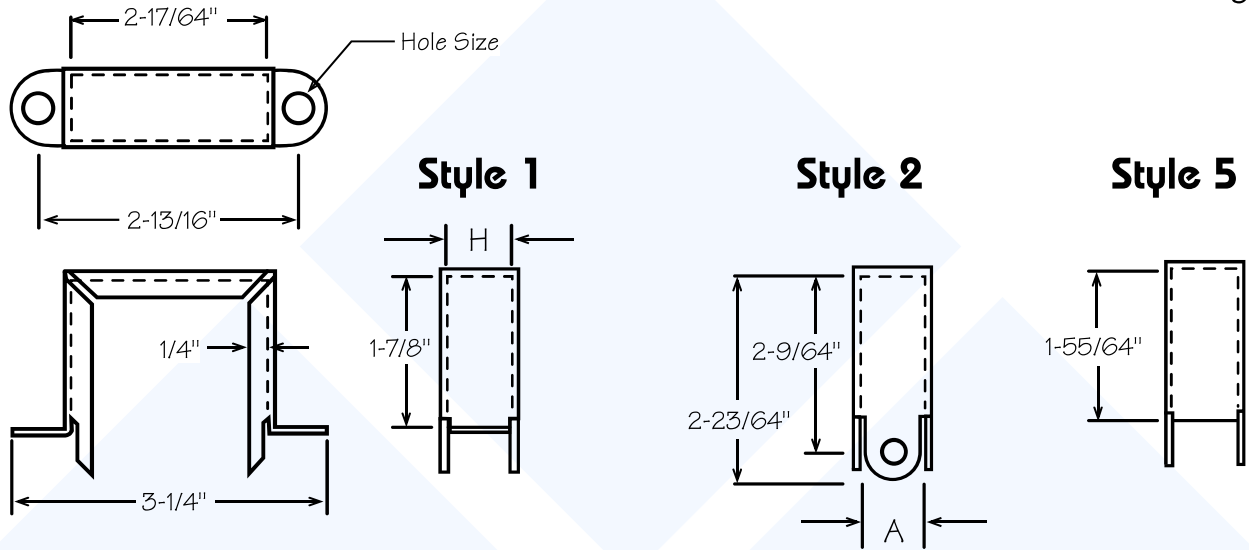
Material 22 GA
 CRS—Colled Rolled Steel
 ETC—Electro Tin Coated

Phone: (513) 793-8100
 FAX: (513) 793-0624

Links E-Mail: sales@bahrsdie.com
 Web: www.bahrsdie.com



Bahrs
 Die & Stamping Co., Inc.
 4375 Rossplain Rd., Cincinnati, OH 45236



Stock Items

- 3/4 X 5/8 - Style 1 (0.187)
- 3/4 X 3/4 - Style 1 (0.187)
- 3/4 X 7/8 - Style 1 (0.187)
- 3/4 X 1 - Style 1 (0.187)
- 3/4 X 1-1/4 - Style 1 (0.187)

Stack Height	Available Styles							Available Hole Sizes			A	H
	1	2	3	4	5	6	7					
5/8	X	X			X			0.136 0.187 0.195	0.281 #6 Extrusion 3/16 X 1/4 Slot	#8 Extrusion	5/8	41/64
3/4	X	X			X			0.136 0.187 0.195	0.203 0.281 3/16 X 1/4 Slot	#6 Extrusion #8 Extrusion	45/64	49/64
7/8	X	X			X			0.187	#8 Extrusion 3/16 X 1/4 Slot 3/16 X 0.300 Slots		13/16	57/64
1	X	X			X			0.136 .0187 0.203	0.213 #8 Extrusion 3/16 X 1/4 Slot		7/8	1-1/64
1-1/4	X	X			X			0.187			1-1/8	1-17/64

Tolerances:
 Decimal $\pm 0.005"$
 Fractional $\pm 1/64"$

Material 22 GA
 CRS—Colled Rolled Steel
 ETC—Electro Tin Coated

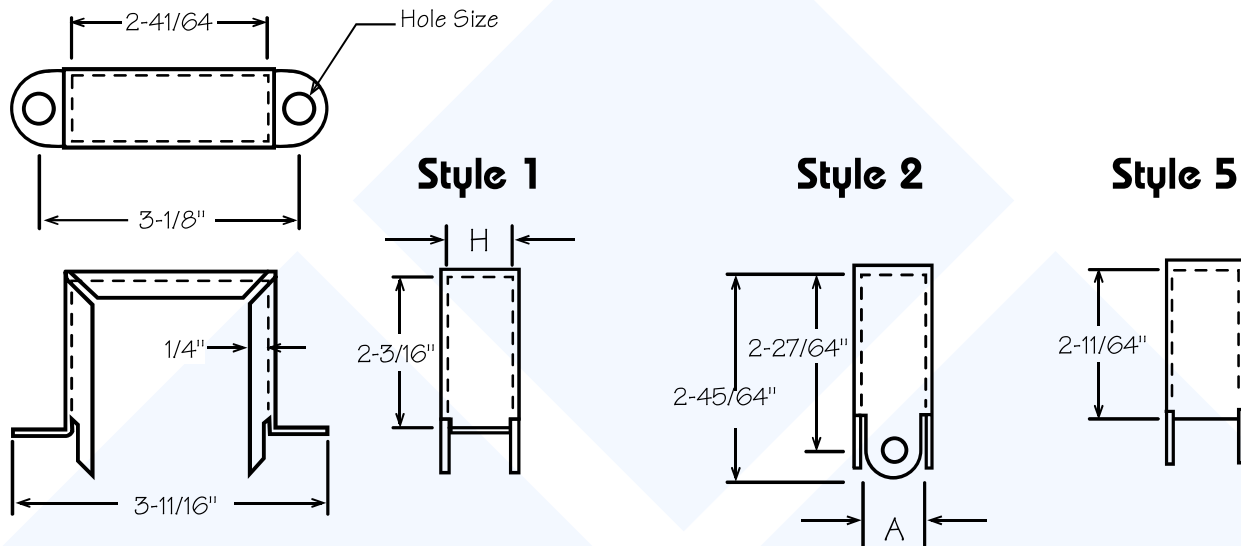
Phone: (513) 793-8100
 FAX: (513) 793-0624

Links E-Mail: sales@bahrsdie.com
 Web: www.bahrsdie.com



Bahrs

Die & Stamping Co., Inc.
 4375 Rossplain Rd., Cincinnati, OH 45236



Stock Items

- 7/8 X 3/4 - Style 1 (0.187)
- 7/8 X 7/8 - Style 1 (0.187)
- 7/8 X 1 - Style 1 (0.187)
- 7/8 X 1-1/8 - Style 1 (0.187)
- 7/8 X 1-1/4 - Style 1 (0.187)

Stack Height	Available Styles							Available Hole Sizes	A	H	
	1	2	3	4	5	6	7				
3/4	X	X			X			0.187 0.196 0.213	0.281 #8 Extru 3/16 X 1/4 Slots	11/16	49/64
7/8	X	X			X			0.125 0.187 0.200	0.213 #8 Extru 3/16 X 9/32 Slots	3/4	57/64
1	X	X			X			0.149 0.156 0.187 0.281	5/32 X 3/8 Slots 3/16 X 9/32 Slots 3/16 X 11/32 Slots	7/8	1-1/64
1-1/8	X	X			X			0.133 0.187 0.281	3/16 X 1/4 Slots	1	1-9/64
1-1/4	X	X			X			0.187	3/16 X 1/4 Slot	1-1/8	1-17/64

Tolerances:
 Decimal ± 0.005"
 Fractional ± 1/64"

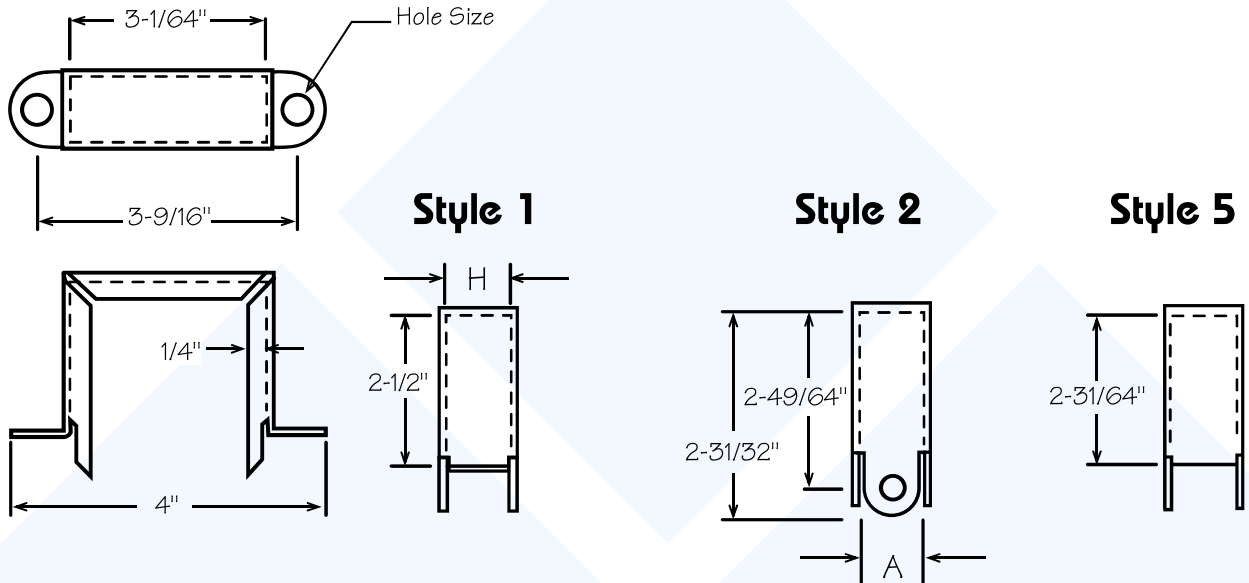
Material 22 GA
 CRS—Colled Rolled Steel
 ETC—Electro Tin Coated

Phone: (513) 793-8100
 FAX: (513) 793-0624

Links E-Mail: sales@bahrsdie.com
 Web: www.bahrsdie.com



Bahrs
 Die & Stamping Co., Inc.
 4375 Rossplain Rd., Cincinnati, OH 45236



Stock Items

- 1 X 3/4 - Style 1 (0.187)
- 1 X 1 - Style 1 (0.187)
- 1 X 1-1/8 - Style 1 (0.187)
- 1 X 1-1/4 - Style 1 (0.187)

Stack Height	Available Styles							Available Hole Sizes	A	H
	1	2	3	4	5	6	7			
3/4	X							0.187 3/16 X 9/32 Slots	3/4	25/64
1	X	X			X			0.133 0.187 0.312 0.149 0.213 #8 Extru 0.156 0.250 13/64 X 5/16 Slots	7/8	1-1/64
1-1/8	X	X			X			0.187 3/16 X 9/32 Slots	1	1-9/64
1-1/4	X	X			X			0.125 0.187 3/16 X 9/32 Slots 0.140 0.213 0.149 0.234	1-1/8	1-17/64

Tolerances:
 Decimal ± 0.005 "
 Fractional $\pm 1/64$ "

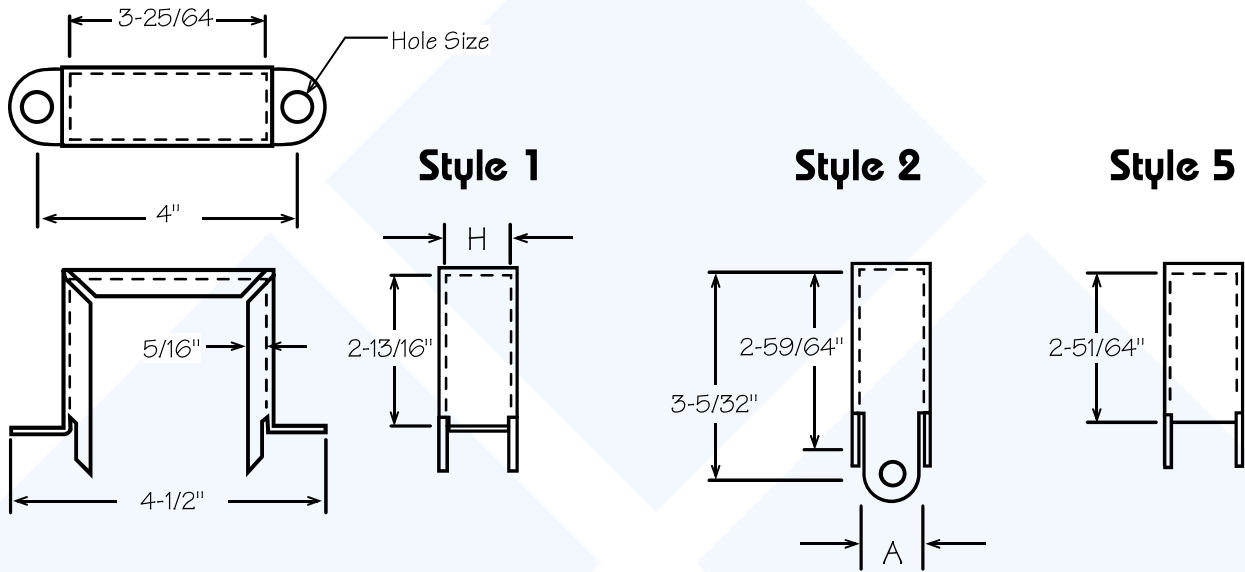
Material 22 GA
 CRS—Colled Rolled Steel
 ETC—Electro Tin Coated

Phone: (513) 793-8100
 FAX: (513) 793-0624

Links E-Mail: sales@bahrsdie.com
 Web: www.bahrsdie.com



Bahrs
 Die & Stamping Co., Inc.
 4375 Rossplain Rd., Cincinnati, OH 45236



Stock Items

1-1/8 X 1-1/8 - Style 1 (13/64 X 5/16 Slots)

Stack Height	Available Styles							Available Hole Sizes	A	H
	1	2	3	4	5	6	7			
1-1/8	X	X			X			13/64 X 5/16 Slots	1	1-9/64

Tolerances:
 Decimal $\pm 0.005"$
 Fractional $\pm 1/64"$

Material 22 GA
 CRS—Colled Rolled Steel
 ETC—Electro Tin Coated

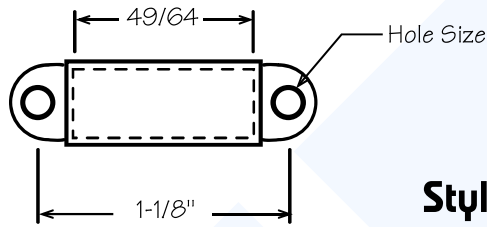
Phone: (513) 793-8100
 FAX: (513) 793-0624

Links E-Mail: sales@bahrsdie.com
 Web: www.bahrsdie.com



Bahrs

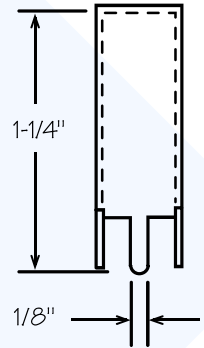
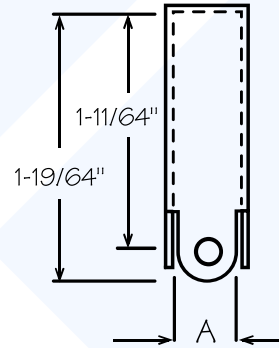
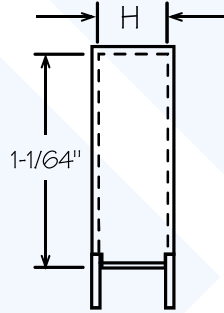
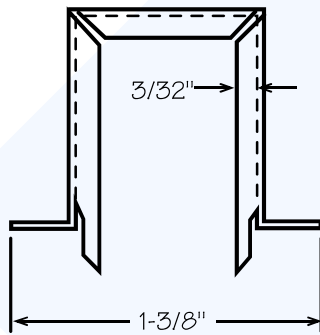
Die & Stamping Co., Inc.
 4375 Rossplain Rd., Cincinnati, OH 45236



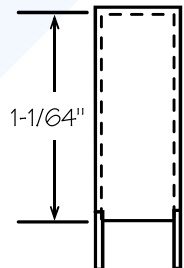
Style 1

Style 2

Style 4



Style 5



Stock Items

1/4 X 1/4 - Style 1 (0.140), Style 4

Stack Height	Available Styles							Available Hole Sizes	A	H
	1	2	3	4	5	6	7			
1/4	X	X		X	X			0.098 Extru 0.125 0.140	1/4	17/64

Tolerances:
 Decimal $\pm 0.005"$
 Fractional $\pm 1/64"$

Material 26 GA
 CRS—Colled Rolled Steel
 ETC—Electro Tin Coated

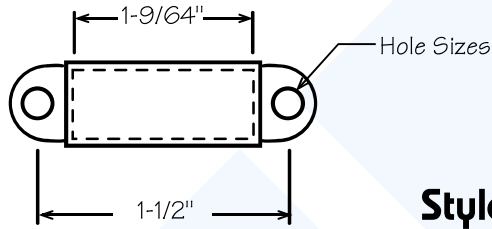
Phone: (513) 793-8100
 FAX: (513) 793-0624

Links E-Mail: sales@bahrsdie.com
 Web: www.bahrsdie.com



Bahrs

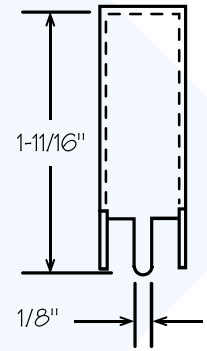
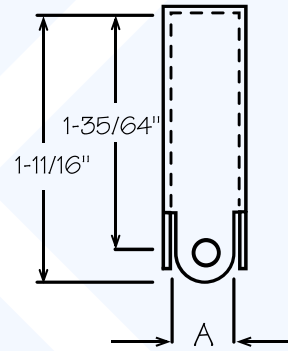
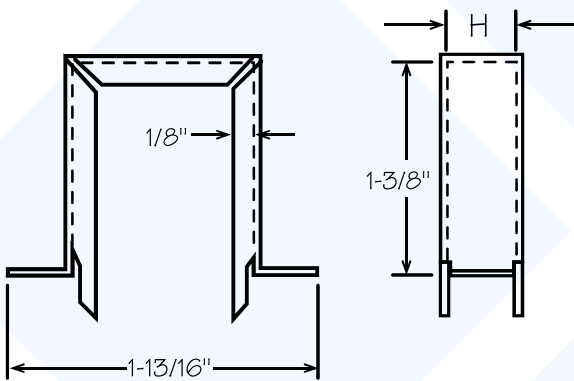
Die & Stamping Co., Inc.
 4375 Rossplain Rd., Cincinnati, OH 45236



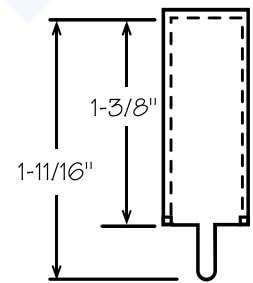
Style 1

Style 2

Style 4



Style 7



Stock Items

3/8 X 3/8 - Style 1 (0.187) Style 4

Stack Height	Available Styles							Available Hole Sizes	A	H
	1	2	3	4	5	6	7			
3/8	X	X		X			X	0.156 0.187	3/8	25/64

Tolerances:
 Decimal $\pm 0.005"$
 Fractional $\pm 1/64"$

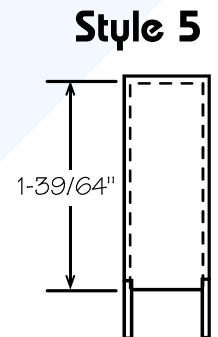
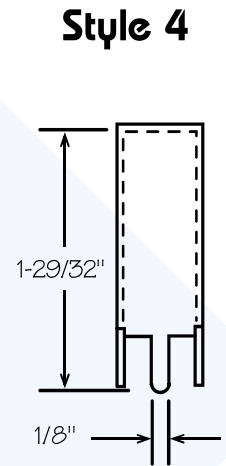
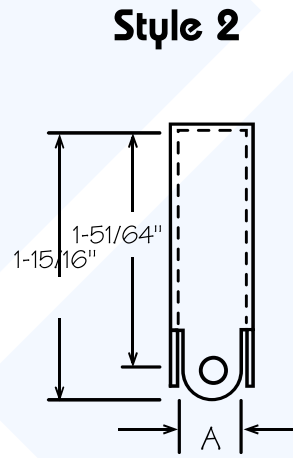
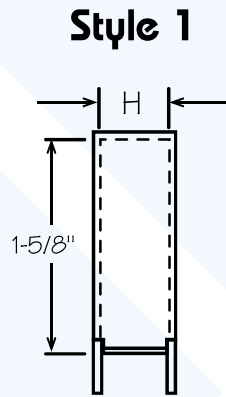
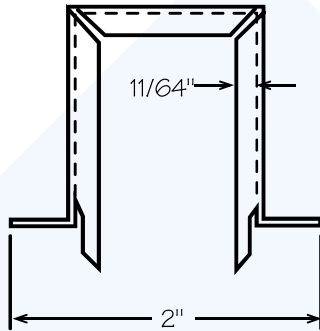
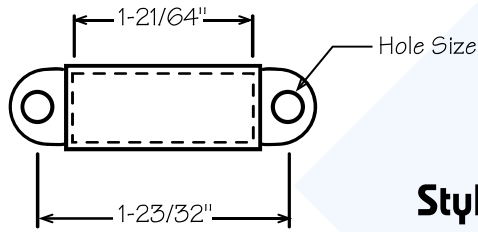
Material 22 GA
 CRS—Colled Rolled Steel
 ETC—Electro Tin Coated

Phone: (513) 793-8100
 FAX: (513) 793-0624

Links E-Mail: sales@bahrsdie.com
 Web: www.bahrsdie.com



Bahrs
 Die & Stamping Co., Inc.
 4375 Rossplain Rd., Cincinnati, OH 45236



Stock Items

1/2 X 1/2 - Style 1 (0.187)

1/2 X 5/8 - Style 1 (0.187)

Stack Height	Available Styles							Available Hole Sizes	A	H
	1	2	3	4	5	6	7			
1/2	X	X		X	X			0.187	1/2	33/64
5/8	X	X			X			0.140 0.156 0.187 # 6 Extruded	5/8	41/64

Tolerances:
 Decimal ± 0.005 "
 Fractional $\pm 1/64$ "

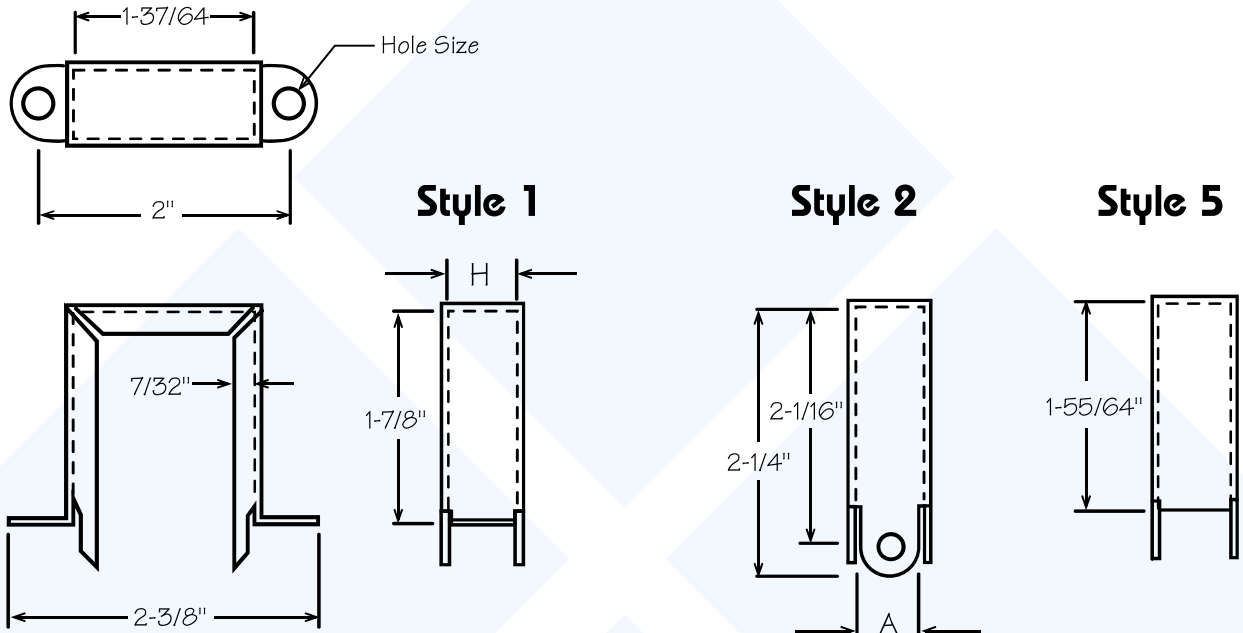
Material 22 GA
 CRS—Colled Rolled Steel
 ETC—Electro Tin Coated

Phone: (513) 793-8100
 FAX: (513) 793-0624

Links E-Mail: sales@bahrsdie.com
 Web: www.bahrsdie.com



Bahrs
 Die & Stamping Co., Inc.
 4375 Rossplain Rd., Cincinnati, OH 45236



Stock Items

5/8 X 5/8 - Style 1 (0.187)

5/8 X 3/4 - Style 1 (0.187)

Stack Height	Available Styles							Available Hole Sizes	A	H
	1	2	3	4	5	6	7			
5/8	X	X			X			0.140 0.187	5/8	41/64
3/4	X	X			X			0.136 0.156 #8 Extru 0.187 3/16 X 1/4 Slots	3/4	49/64

Tolerances:
 Decimal $\pm 0.005"$
 Fractional $\pm 1/64"$

Material 22 GA
 CRS—Colled Rolled Steel
 ETC—Electro Tin Coated

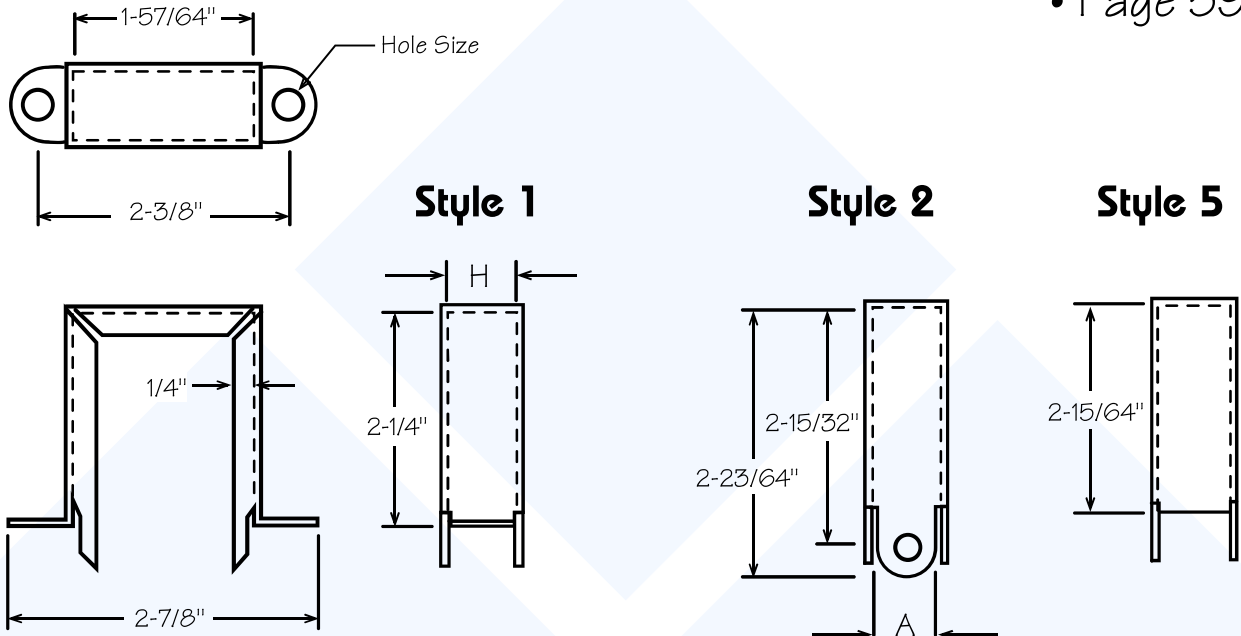
Phone: (513) 793-8100
 FAX: (513) 793-0624

Links E-Mail: sales@bahrsdie.com
 Web: www.bahrsdie.com



Bahrs

Die & Stamping Co., Inc.
 4375 Rossplain Rd., Cincinnati, OH 45236



Stock Items

- 3/4 X 5/8 - Style 1 (0.187)
- 3/4 X 3/4 - Style 1 (0.187)
- 3/4 X 7/8 - Style 1 (0.187)
- 3/4 X 1 - Style 1 (0.187)

Stack Height	Available Styles							Available Hole Sizes	A	H
	1	2	3	4	5	6	7			
5/8	X	X			X			0.136 0.218 0.187 0.203 #8 Extru	9/16	41/64
3/4	X	X			X			0.136 0.187	43/64	49/64
7/8	X	X			X			0.136 0.187 #6 Extru 0.203 #8 Extru	3/4	57/64
1	X	X			X			0.187 0.218 #8 Extru	7/8	1-1/64

Tolerances:
 Decimal ± 0.005 "
 Fractional $\pm 1/64$ "

Material 22 GA
 CRS—Colled Rolled Steel
 ETC—Electro Tin Coated

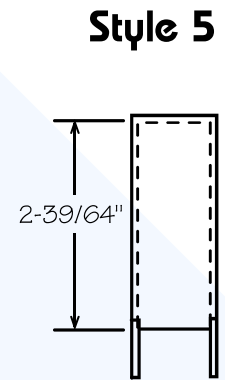
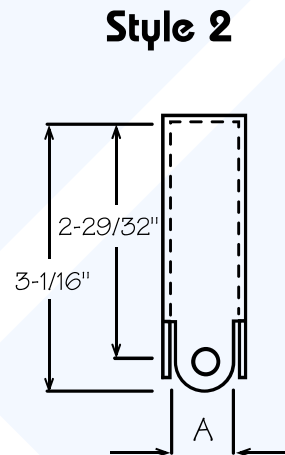
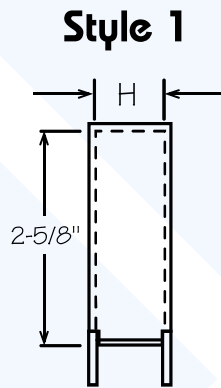
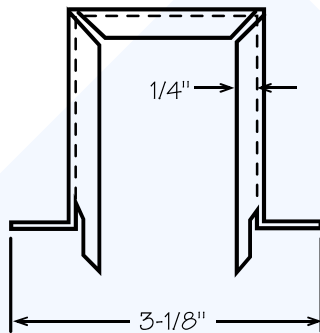
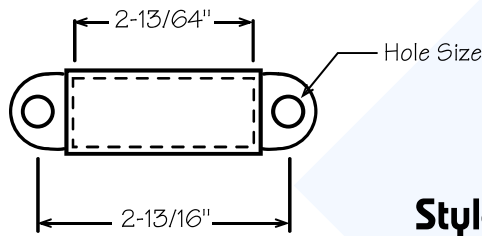
Phone: (513) 793-8100
 FAX: (513) 793-0624

Links E-Mail: sales@bahrsdie.com
 Web: www.bahrsdie.com



Bahrs

Die & Stamping Co., Inc.
 4375 Rossplain Rd., Cincinnati, OH 45236



Stock Items

7/8 X 3/4 - Style 1 (0.187)

7/8 X 7/8 - Style 1 (0.187)

7/8 X 1 - Style 1 (0.187)

Stack Height	Available Styles							Available Hole Sizes	A	H
	1	2	3	4	5	6	7			
3/4	X	X			X			0.187 #8 Extruded	5/8	49/64
7/8	X	X			X			0.187 0.250 #8 Extruded	3/4	57/64
1	X	X			X			0.140 0.187 0.203	7/8	1-1/64

Tolerances:
 Decimal ± 0.005 "
 Fractional $\pm 1/64$ "

Material 22 GA
 CRS—Colled Rolled Steel
 ETC—Electro Tin Coated

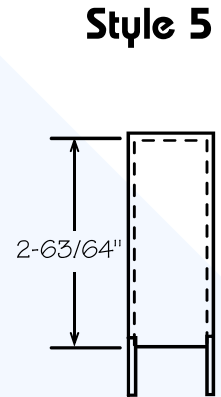
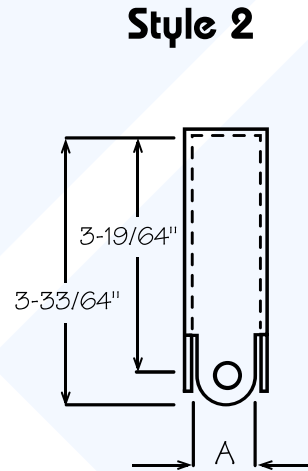
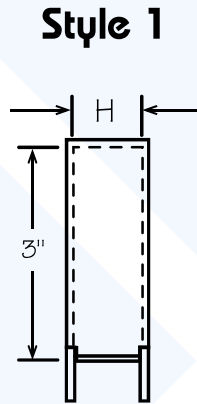
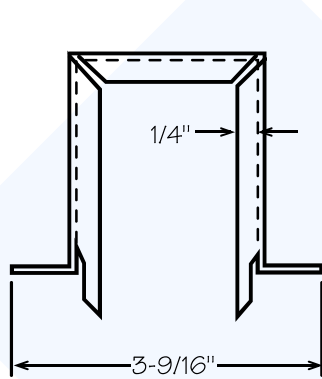
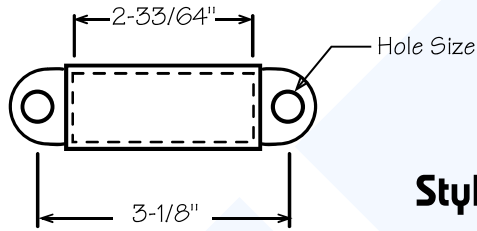
Phone: (513) 793-8100
 FAX: (513) 793-0624

Links E-Mail: sales@bahrsdie.com
 Web: www.bahrsdie.com



Bahrs

Die & Stamping Co., Inc.
 4375 Rossplain Rd., Cincinnati, OH 45236



Stock Items

1 X 1 - Style 1 (0.187)

1 X 1-1/8 - Style 1 (0.187)

Stack Height	Available Styles							Available Hole Sizes	A	H
	1	2	3	4	5	6	7			
1	X	X			X			0.187 # 8 Extrusion 3/16 X 9/32 Slot	7/8	1-1/64
1-1/8	X	X			X			0.187	1	1-9/64

Tolerances:

Decimal ± 0.005 "

Fractional $\pm 1/64$ "

Material 22 GA

CRS—Cold Rolled Steel

ETC—Electro Tin Coated

Phone: (513) 793-8100

FAX: (513) 793-0624

Links

E-Mail: sales@bahrsdie.com

Web: www.bahrsdie.com



Bahrs

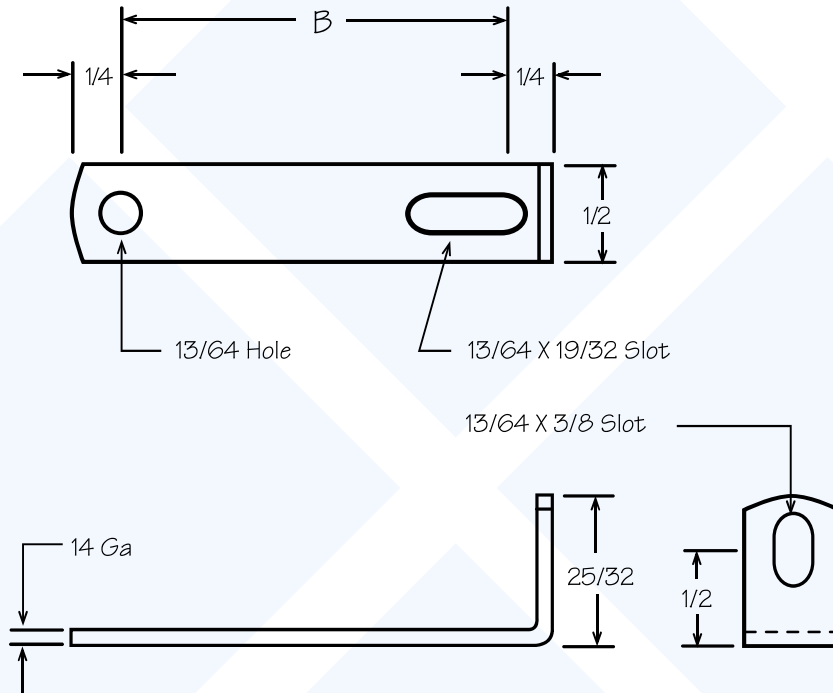
Die & Stamping Co., Inc.

4375 Rossplain Rd., Cincinnati, OH 45236

Brackets

Click to go to: Mounting Brackets TMB-100 Series	63
Options for TMB-100/200 Series Brackets	64
Mounting Brackets BU100 Series	65
Mounting Brackets TMB-200 Series	66
Mounting Brackets TMB-10 Series	67
Mounting Brackets TMB-1100 Series	68
Mounting Brackets TMB-400/500 Series	69
Mounting Brackets TMB-600 Series	70
Mounting Brackets TMB-700 Series	71
Mounting Brackets TMB-800 Series	72
Mounting Straps TMS-1 Series	73
C.V. Brackets CVB 10 & 20 Series	74
C.V. Brackets CVB 30 Series	75
Mounting Brackets 1-1/4" Cover	76

Bahrs



See Page 57 for options for TMB-100/200 Series Brackets

GENERAL DIMENSIONS

Part No.	Computer#	Mounting	B-Dim	Part No.	Computer#	Mounting	B-Dim
TMB-101	B110H0	1 Horz	2	TMB-107	B113H0	1-3/8 Horz.	2-27/32
TMB-102	B110V0	1 Vert.	2-1/2	TMB-108	B113V0	1-3/8 Vert.	3-17/32
TMB-103	B111H0	1-1/8 Horz.	2-9/32	TMB-109	B115H0	1-1/2 Horz.	3-1/8
TMB-104	B111V0	1-1/8 Vert.	2-27/32	TMB-110	B115V0	1-1/2 Vert.	3-7/8
TMB-105	B112H0	1-1/4 Horz.	2-9/16	TMB-111	B116H0	1-5/8 Horz.	3-19/32
TMB-106	B112V0	1-1/4 Vert.	3-3/16	TMB-113	B117H0	1-3/4 Horz.	3-11/16

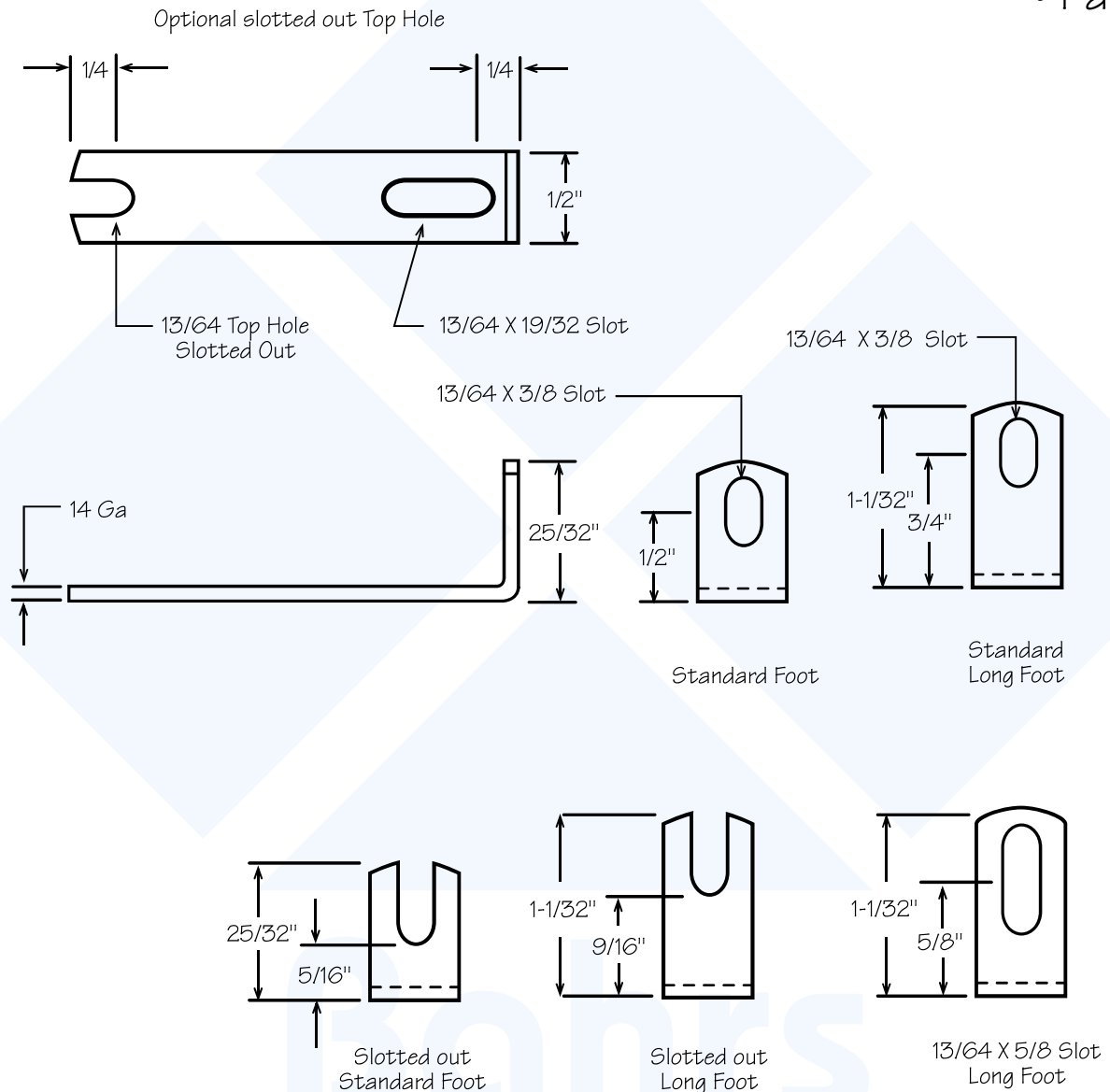
Tolerances:
 Decimal ± 0.005 "
 Fractional $\pm 1/64$ "

Phone: (513) 793-8100
 FAX: (513) 793-0624

Links E-Mail: sales@bahrsdie.com
 Web: www.bahrsdie.com



Bahrs
 Die & Stamping Co., Inc.
 4375 Rossplain Rd., Cincinnati, OH 45236



Optional Mounting Foot

- Standard Long Foot
- Slotted out Standard Foot
- Slotted out Standard Long Foot
- Long Foot with 13/64 X 5/8 Slot

Optional Top Leg

- Slotted out Top Hole
- This Option is ONLY available on the Standard Foot and Standard Long Foot

Tolerances:
Decimal $\pm 0.005"$
Fractional $\pm 1/64"$

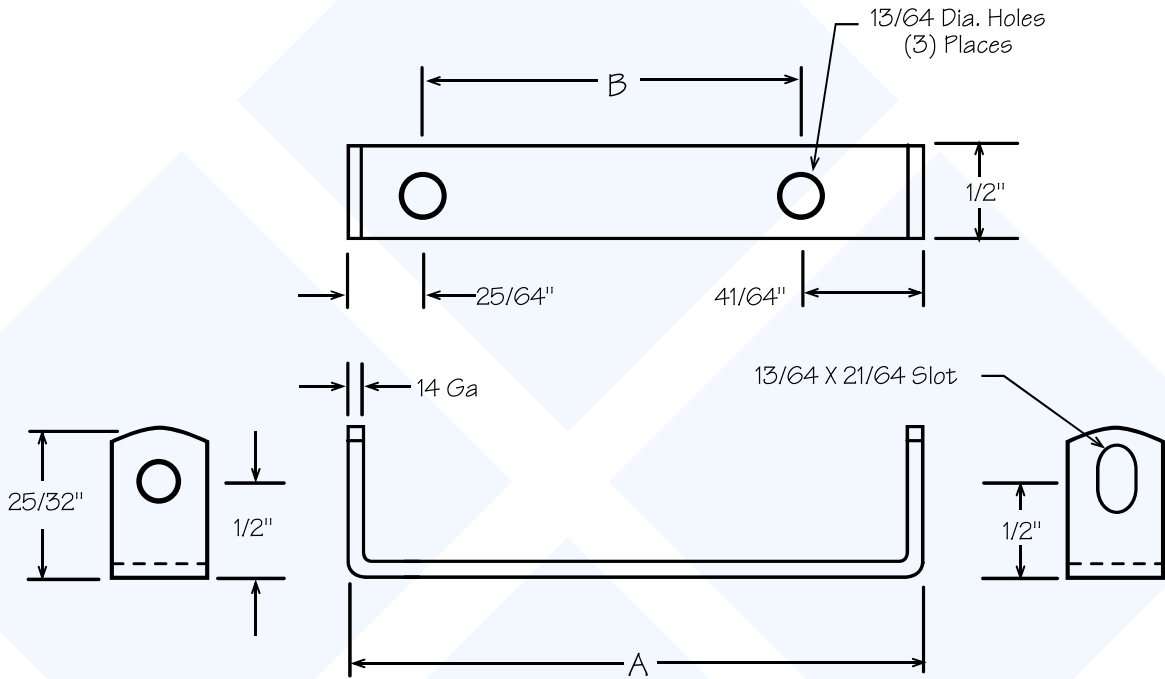
Phone: (513) 793-8100
FAX: (513) 793-0624

Links

E-Mail: sales@bahrsdie.com
Web: www.bahrsdie.com



Bahrs
Die & Stamping Co., Inc.
4375 Rossplain Rd., Cincinnati, OH 45236



GENERAL DIMENSIONS

Part No.	Mounting	A	B	Part No.	Mounting	A	B
BU10HO	1 Horiz.	3-1/32	2	BU12VO	1-1/4 Vert.	4-5/32	3-1/8
BU10VO	1 Vert.	3-17/32	2-1/2	BU13HO	1-3/8 Horiz.	3-25/32	2-3/4
BU11HO	1-1/8 Horiz.	3-9/32	2-1/4	BU13VO	1-3/8 Vert.	4-15/32	3-7/16
BU11VO	1-1/8 Horiz.	3-27/32	2-13/16	BU15HO	1-1/2 Horiz.	4-1/32	3
BU12HO	1-1/4 Horiz.	3-17/32	2-1/2	BU15VO	1-1/2 Vert.	4-25/32	3-3/4

Tolerances:
 Decimal $\pm 0.005"$
 Fractional $\pm 1/64"$

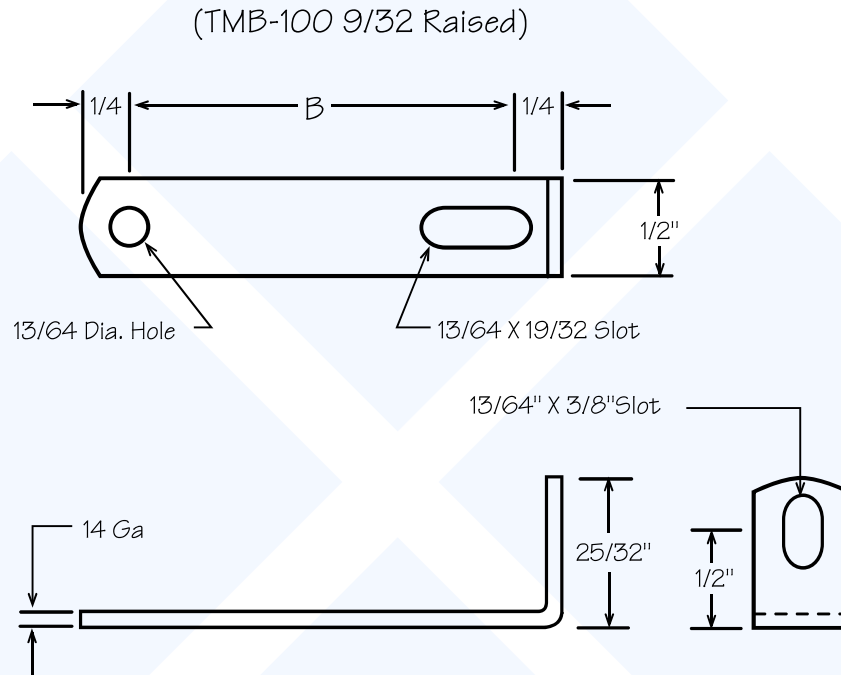
Phone: (513) 793-8100
 FAX: (513) 793-0624

Links

E-Mail: sales@bahrsdie.com
 Web: www.bahrsdie.com



Bahrs
 Die & Stamping Co., Inc.
 4375 Rossplain Rd., Cincinnati, OH 45236



GENERAL DIMENSIONS

Part No.	Computer #	Mounting	B-Dim	Part No.	Computer #	Mounting	B-Dim
TMB-201	B210H0	1 Horiz.	2-9/32	TMB-207	B213H0	1-3/8 Horiz	3-1/8
TMB-202	B210V0	1 Vert.	2-25/32	TMB-208	B213V0	1-3/8 Vert.	3-13/16
TMB-203	B211H0	1-1/8 Horiz.	2-9/16	TMB-209	B215H0	1-1/2 Horiz	3-13/32
TMB-204	B211V0	1-1/8 Vert.	3-1/8	TMB-210	B215V0	1-1/2 Vert.	4-5/32
TMB-205	B212H0	1-1/4 Horiz.	2-27/32	TMB-211	B216H0	1-5/8 Horiz	3-7/8
TMB-206	B212V0	1-1/4 Vert.	3-15/32	TMB-213	B217H0	1-3/4 Horiz	3-31/32

Tolerances:

Decimal $\pm 0.005"$

Fractional $\pm 1/64"$

Phone: (513) 793-8100

FAX: (513) 793-0624

Links

E-Mail: sales@bahrsdie.com

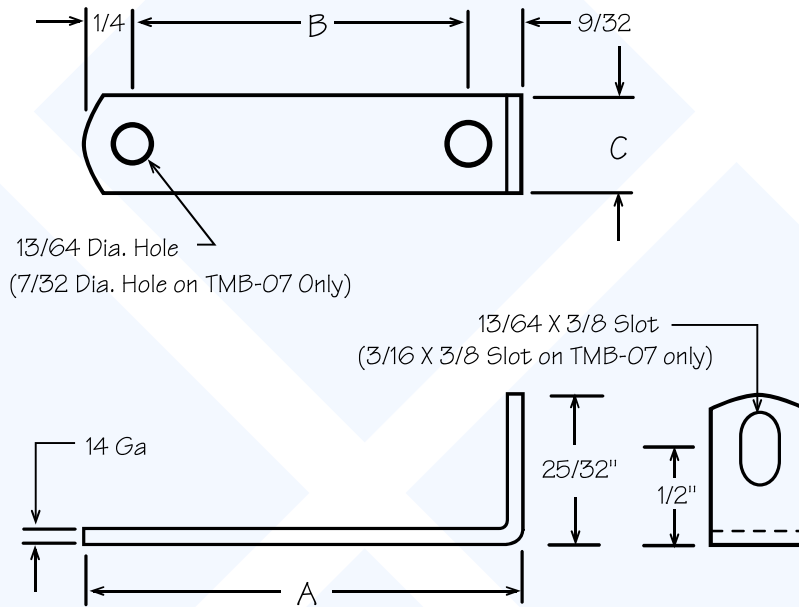
Web: www.bahrsdie.com



Bahrs

Die & Stamping Co., Inc.

4375 Rossplain Rd., Cincinnati, OH 45236



GENERAL DIMENSIONS

Part No.	Mounting	A	B	C
TMB-07	7/8 Horiz.	2-9/32	1-3/4	7/16
TMB-08	7/8 Vert.	2-23/32	2-3/16	7/16
TMB-1	1 Horiz.	2-17/32	2	1/2
TMB-2	1 Vert.	3-1/32	2-1/2	1/2
TMB-3	1-1/8 Horiz.	2-25/32	2-1/4	1/2
TMB-4	1-1/8 Vert.	3-11/32	2-13/16	1/2

Tolerances:
 Decimal ± 0.005 "
 Fractional $\pm 1/64$ "

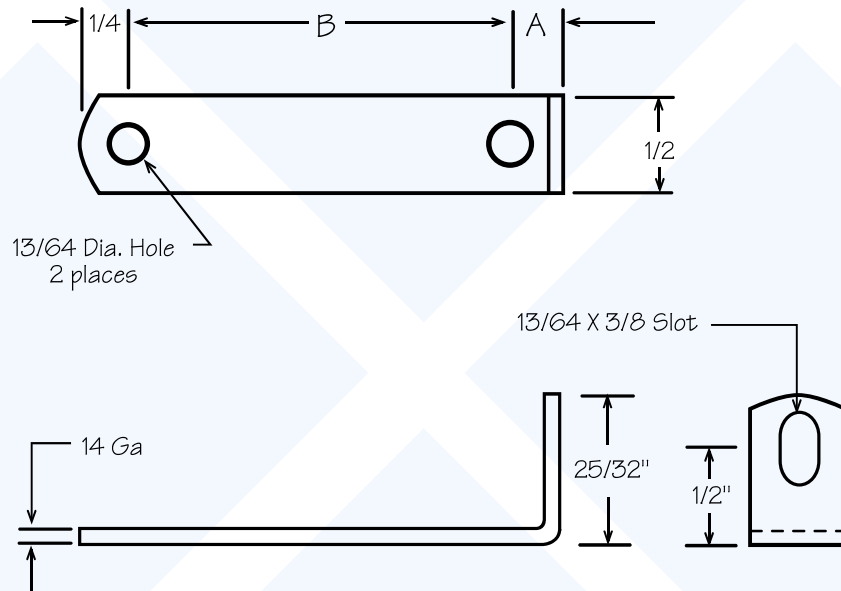
Phone: (513) 793-8100
 FAX: (513) 793-0624

Links

E-Mail: sales@bahrsdie.com
 Web: www.bahrsdie.com



Bahrs
 Die & Stamping Co., Inc.
 4375 Rossplain Rd., Cincinnati, OH 45236



GENERAL DIMENSIONS

Part No.	Mounting	B	A		Part No.	Mounting	B	A
TMB-1101	1 Horiz.	2	1/4		TMB-1106	1-1/4 Vert.	3-1/8	5/16
TMB-1102	1 Vert.	2-1/2	1/4		TMB-1107	1-3/8 Horiz.	2-3/4	11/32
TMB-1103	1-1/8 Horiz.	2-1/4	9/32		TMB-1108	1-3/8 Vert.	3-7/16	11/32
TMB-1104	1-1/8 Vert.	2-13/16	9/32		TMB-1109	1-1/2 Horiz.	3	3/8
TMB-1105	1-1/4 Horiz.	2-1/2	5/16		TMB-1110	1-1/2 Vert.	3-3/4	3/8

Tolerances:
 Decimal $\pm 0.005"$
 Fractional $\pm 1/64"$

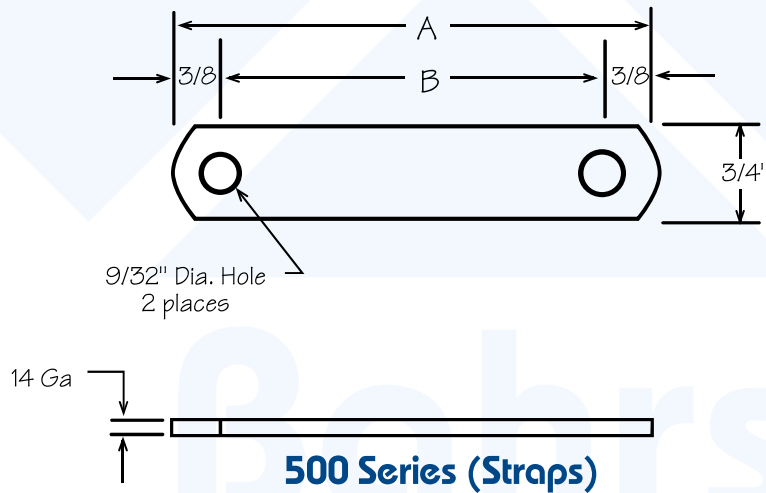
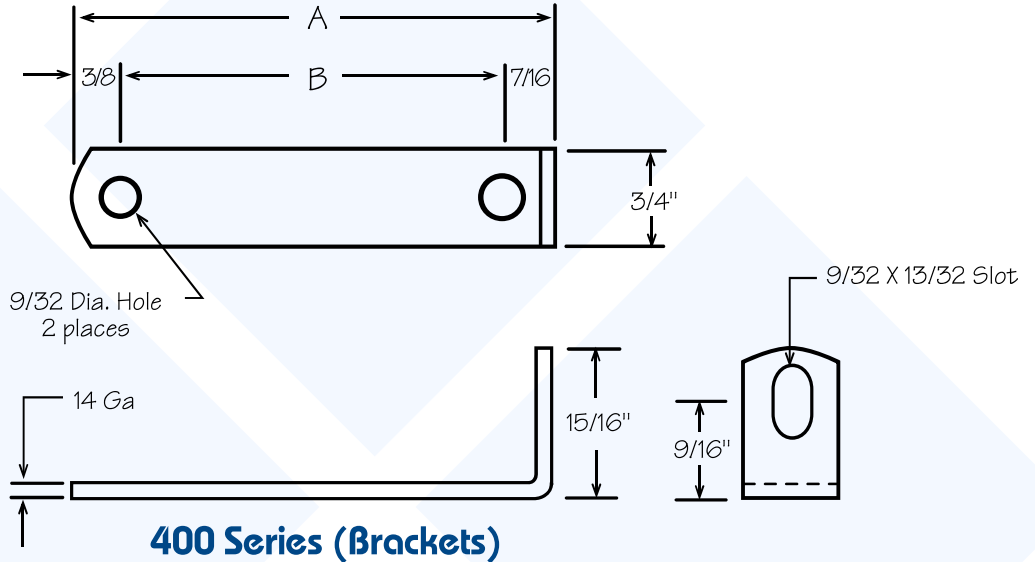
Phone: (513) 793-8100
 FAX: (513) 793-0624

Links

E-Mail: sales@bahrsdie.com
 Web: www.bahrsdie.com



Bahrs
 Die & Stamping Co., Inc.
 4375 Rossplain Rd., Cincinnati, OH 45236



GENERAL DIMENSIONS

Part No.	A	B	Part No.	A	B
TMB-475	4-5/16	3-1/2	TMS-575	4-1/4	3-1/2
TMB-476	5-3/16	4-3/8	TMS-576	5-1/8	4-3/8

Tolerances:
 Decimal $\pm 0.005"$
 Fractional $\pm 1/64"$

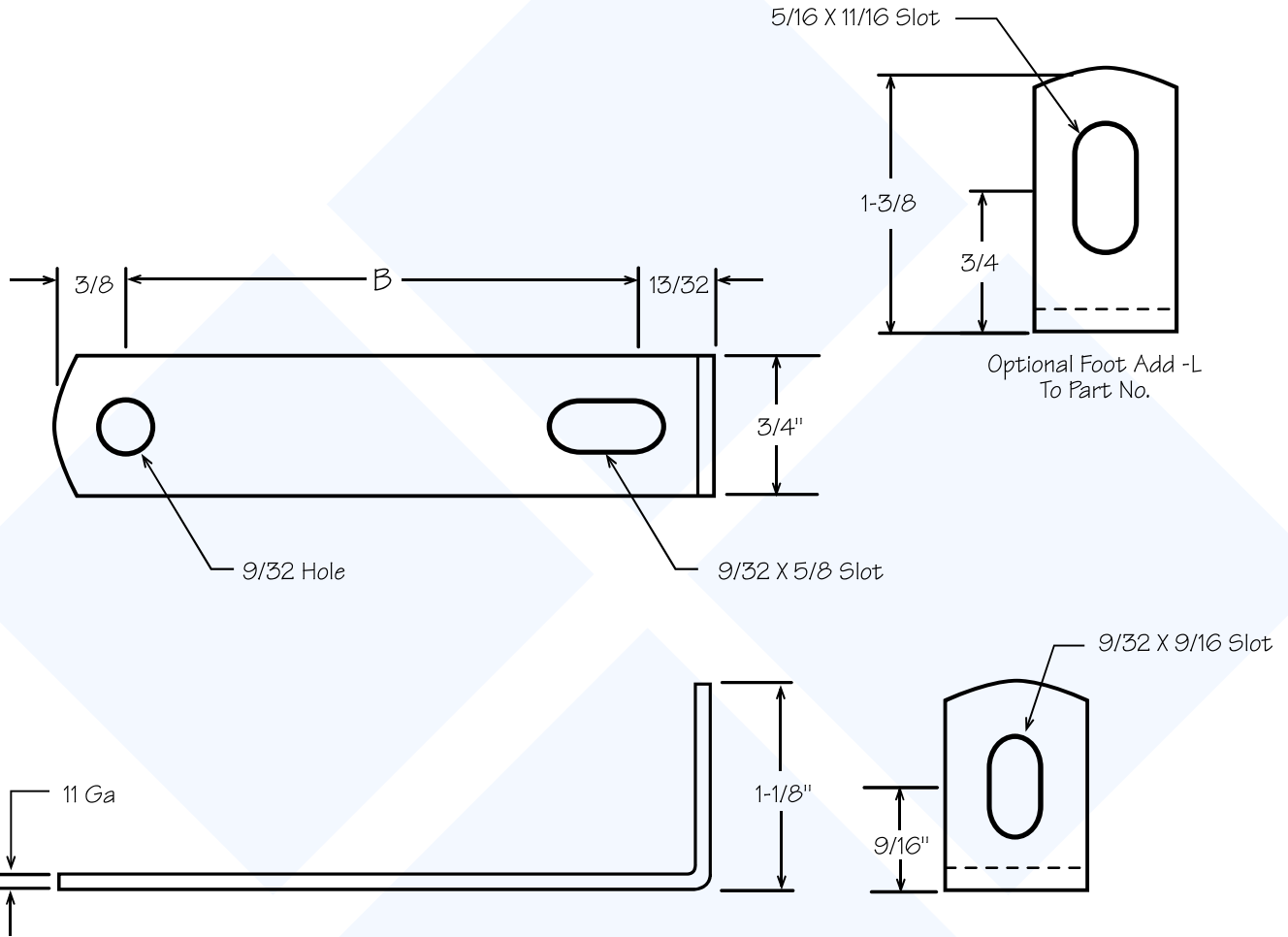
Phone: (513) 793-8100
 FAX: (513) 793-0624

Links

E-Mail: sales@bahrsdie.com
 Web: www.bahrsdie.com



Bahrs
 Die & Stamping Co., Inc.
 4375 Rossplain Rd., Cincinnati, OH 45236



GENERAL DIMENSIONS

Part No.	Mounting	B	Lam	Part No.	Mounting	B	Lam
TMB-601	1-1/2 Horiz.	3	EI-13	TMB-607	1-3/4 Horiz.	3-29/32	EI-19
TMB-602	1-1/2 Vert.	3-25/32	EI-13	TMB-608	1-3/4 Vert.	6-5/32	EI-19
TMB-603	1-5/8 Horiz.	3-7/16	EI-36	B620HO	2" Horiz.	4-3/32	EI-200 HO
TMB-604	1-5/8 Vert.	4-15/16	EI-36	B620VO	2" Vert.	5-3/32	EI-202
TMB-605S	1-3/4 Horiz.	4-5/8	EI-175S	TMB-609	2-1/2 Horiz.	5-1/2	EI-250 RETMA
TMB-605	1-3/4 Horiz.	3-17/32	EI-175	TMB-610	2-1/2 Vert.	6-11/16	EI-250 RETMA
TMB-606S	1-3/4 Vert.	5-9/32	EI-175				
TMB-606	1-3/4 Vert.	4-13/32	EI-175				

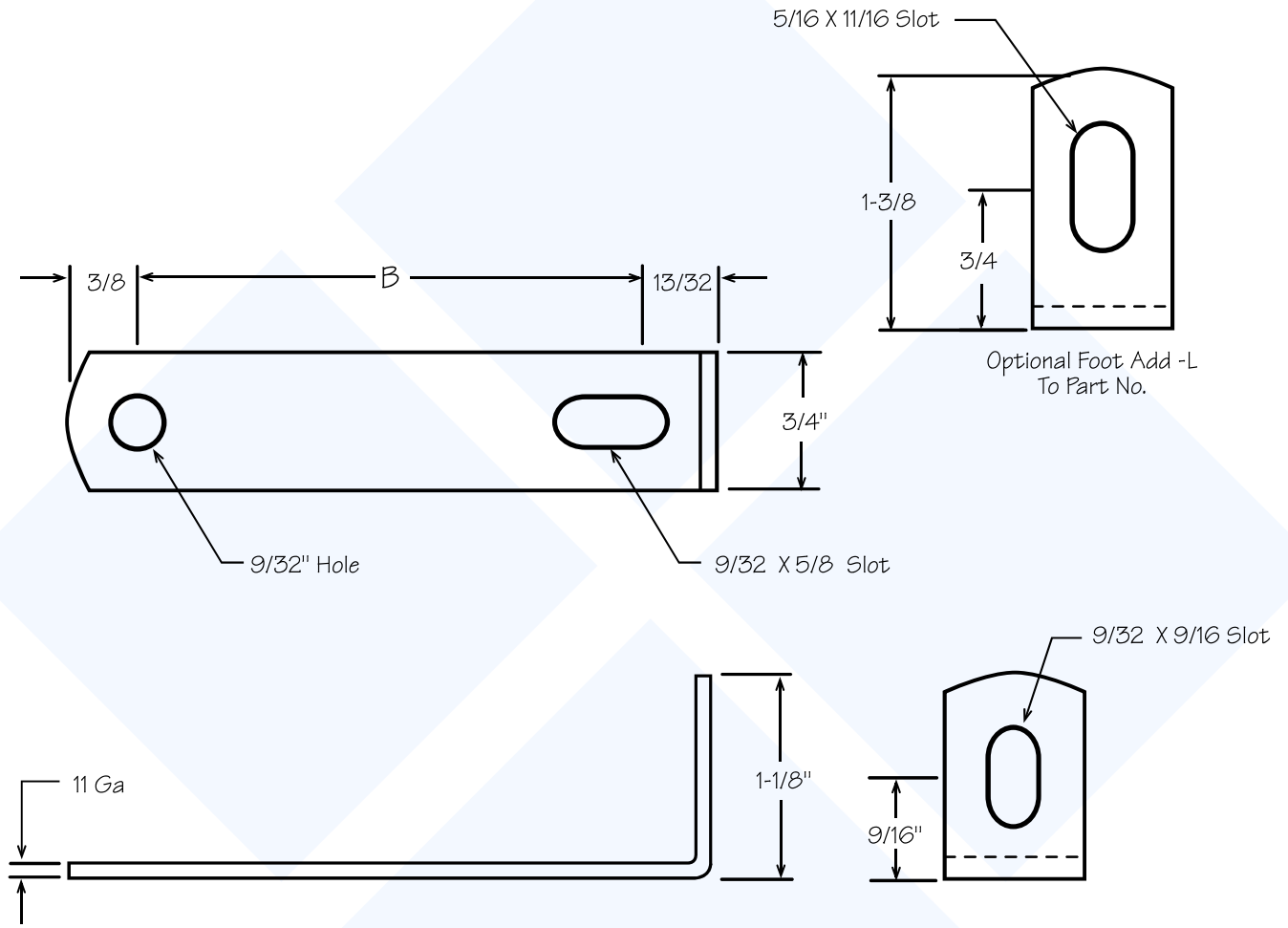
Tolerances:
 Decimal ± 0.005 "
 Fractional $\pm 1/64$ "

Phone: (513) 793-8100
 FAX: (513) 793-0624

Links E-Mail: sales@bahrsdie.com
 Web: www.bahrsdie.com



Bahrs
 Die & Stamping Co., Inc.
 4375 Rossplain Rd., Cincinnati, OH 45236



GENERAL DIMENSIONS

Part No.	Mounting	B	Lam	Part No.	Mounting	B	Lam
TMB-751	2-1/8 Horiz.	4-3/8	EI-212	TMB-756	2-1/2 Horiz.	5-7/32	EI-20
TMB-752	2-1/8 Vert.	5-7/16	EI-212	TMB-757	2-1/2 Vert.	7-23/32	EI-20
TMB-753	2-1/4 Horiz.	5	EI-225S	TMB-758	2-1/2 Horiz.	7-3/32	EI-251
TMB-754	2-1/4 Vert.	6-1/32	EI-225S EI-225L	TMB-759	2-1/2 Vert.	8-3/32	EI-251
TMB-755	2-1/4 Horiz.	8-1/2	EI-225L				

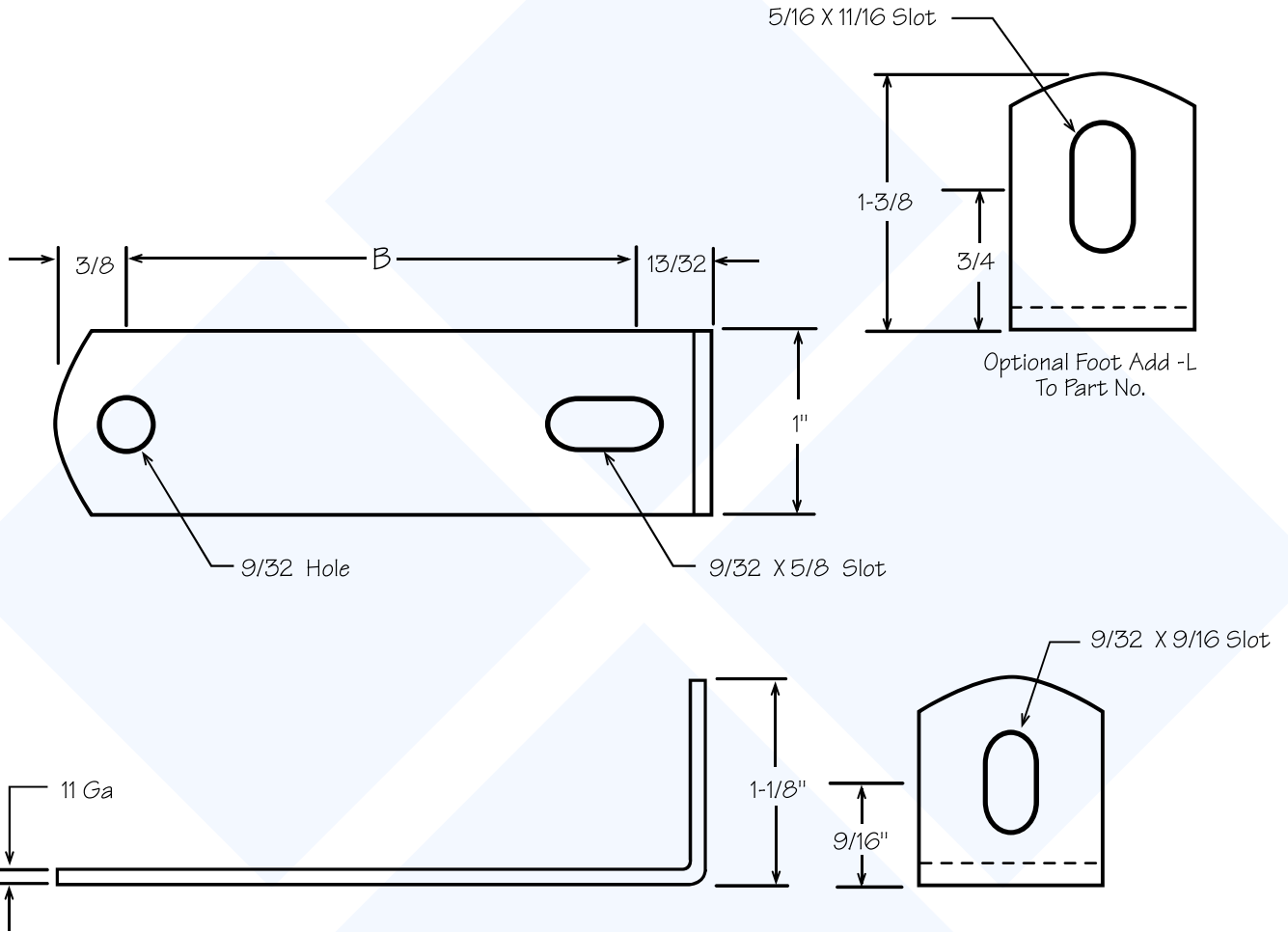
Tolerances:
 Decimal ± 0.005 "
 Fractional $\pm 1/64$ "

Phone: (513) 793-8100
 FAX: (513) 793-0624

Links E-Mail: sales@bahrsdie.com
 Web: www.bahrsdie.com



Bahrs
 Die & Stamping Co., Inc.
 4375 Rossplain Rd., Cincinnati, OH 45236



GENERAL DIMENSIONS

Part No.	Mounting	B	Lam	Part No.	Mounting	B	Lam
TMB-801	2-1/8 Horiz.	4-3/8	EI-212	TMB-806	2-1/2 Horiz.	5-7/32	EI-20
TMB-802	2-1/8 Vert.	5-7/16	EI-212	TMB-807	2-1/2 Vert.	7-23/32	EI-20
TMB-803	2-1/4 Horiz.	5	EI-225S	TMB-808	2-1/2 Horiz.	7-3/32	EI-251
TMB-804	2-1/4 Vert.	6-1/32	EI-225S EI-225L	TMB-809	2-1/2 Vert.	8-3/32	EI-251
TMB-805	2-1/4 Horiz.	8-1/2	EI-225L				

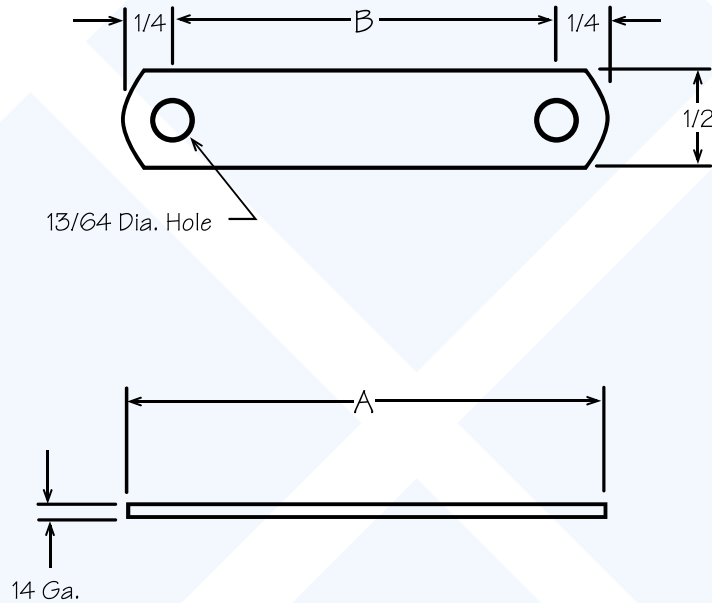
Tolerances:
 Decimal ± 0.005 "
 Fractional $\pm 1/64$ "

Phone: (513) 793-8100
 FAX: (513) 793-0624

Links E-Mail: sales@bahrsdie.com
 Web: www.bahrsdie.com



Bahrs
 Die & Stamping Co., Inc.
 4375 Rossplain Rd., Cincinnati, OH 45236



GENERAL DIMENSIONS

Part No.	Mounting	A	B	Part No.	Mounting	A	B
TMS-1	1 Horiz.	2-1/2	2	TMS-7	1-3/8 Horiz.	3-1/4	2-3/4
TMS-2	1 Vert.	3	2-1/2	TMS-8	1-3/8 Vert.	3-15/16	3-7/16
TMS-3	1-1/8 Horiz.	2-3/4	2-1/4	TMS-9	1-1/2 Horiz.	3-1/2	3
TMS-4	1-1/8 Vert.	3-5/16	2-13/16	TMS-10	1-1/2 Vert.	4-1/4	3-3/4
TMS-5	1-1/4 Horiz.	3	2-1/2	TMS-11	1-3/4 Horiz.	4	3-1/2
TMS-6	1-1/4 Vert.	3-5/8	3-1/8	TMS-12	1-3/4 Vert.	4-7/8	4-3/8

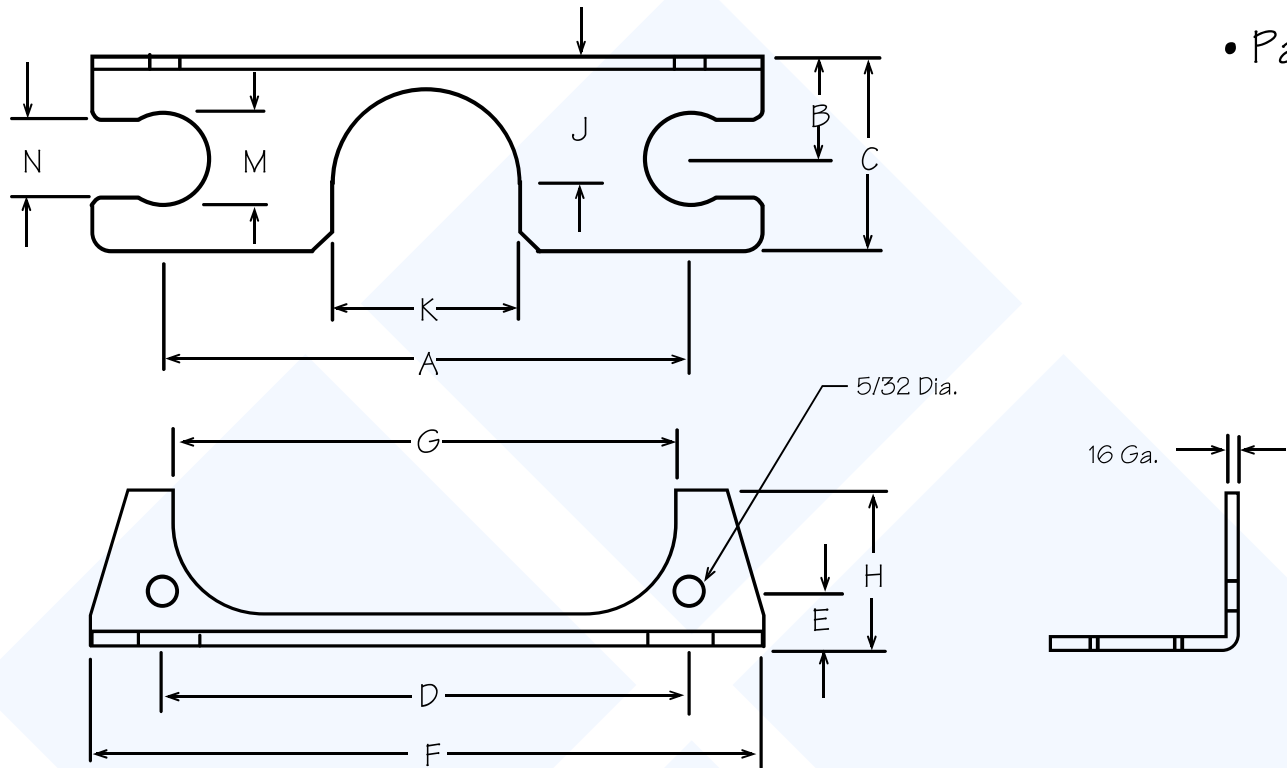
Tolerances:
 Decimal $\pm 0.005"$
 Fractional $\pm 1/64"$

Phone: (513) 793-8100
 FAX: (513) 793-0624

Links E-Mail: sales@bahrsdie.com
 Web: www.bahrsdie.com



Bahrs
 Die & Stamping Co., Inc.
 4375 Rossplain Rd., Cincinnati, OH 45236



GENERAL DIMENSIONS

	CVB 10	CVB 111	CVB 20	CVB21
A	2-3/4	2-3/4	3	3
B	17/32	17/32	31/64	31/64
C	31/32	31/32	31/32	31/32
D	2-3/4	2-3/4	2-3/4	2-3/4
E	9/32	9/32	9/32	9/32
F	3-1/2	3-1/2	3-1/2	3-1/2
G	2-5/8	2-5/8	2-5/8	2-5/8
H	13/16	13/16	13/16	13/16
J	—	21/32	—	21/32
K	—	31/32	—	31/32
M	31/64	31/64	31/64	31/64
N	13/32	13/32	31/32	31/32

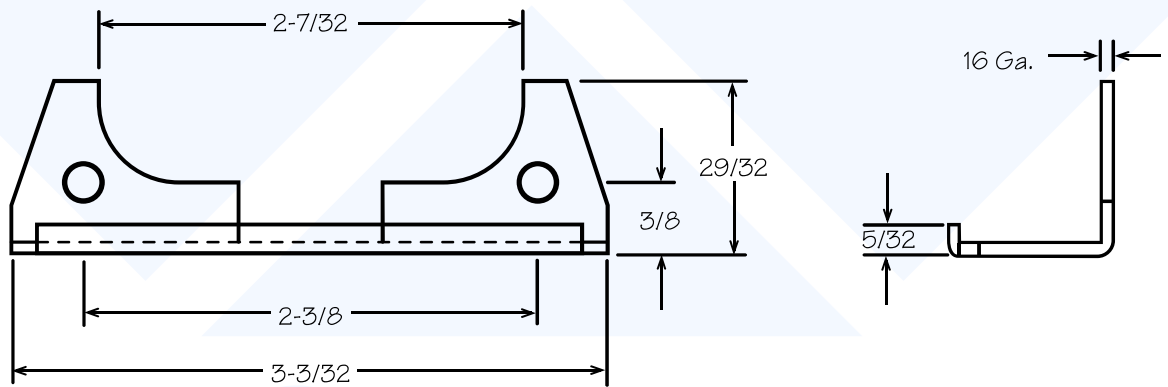
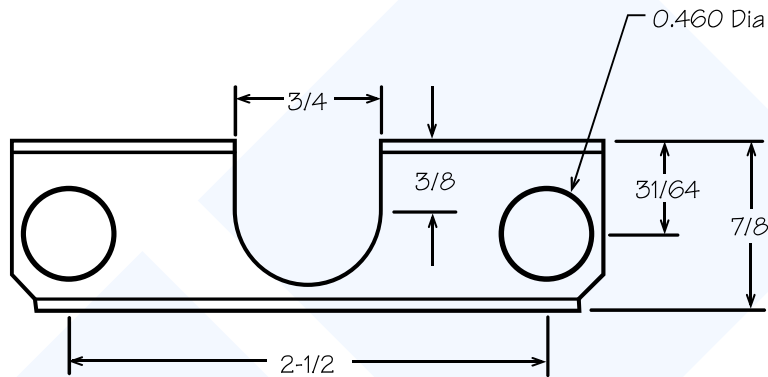
Tolerances:
Decimal $\pm 0.005"$
Fractional $\pm 1/64"$

Phone: (513) 793-8100
FAX: (513) 793-0624

Links E-Mail: sales@bahrsdie.com
Web: www.bahrsdie.com



Bahrs
Die & Stamping Co., Inc.
4375 Rossplain Rd., Cincinnati, OH 45236



Tolerances:
Decimal ± 0.005 "
Fractional $\pm 1/64$ "

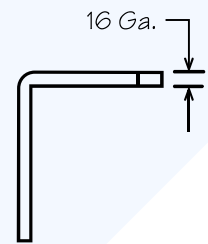
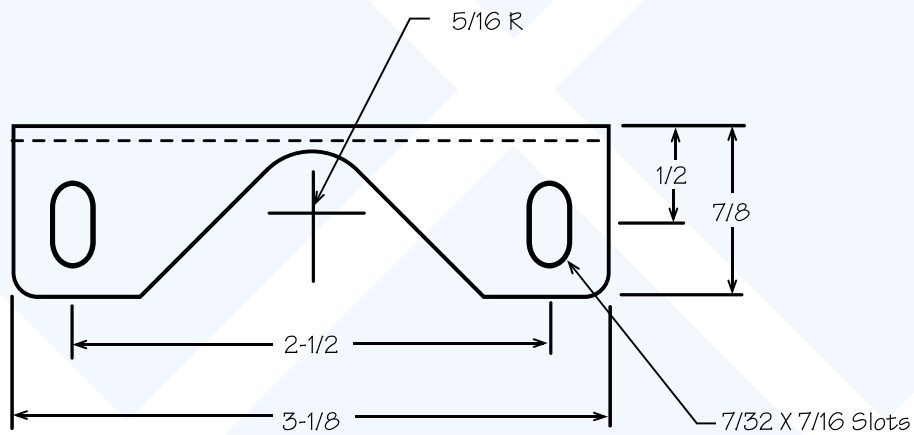
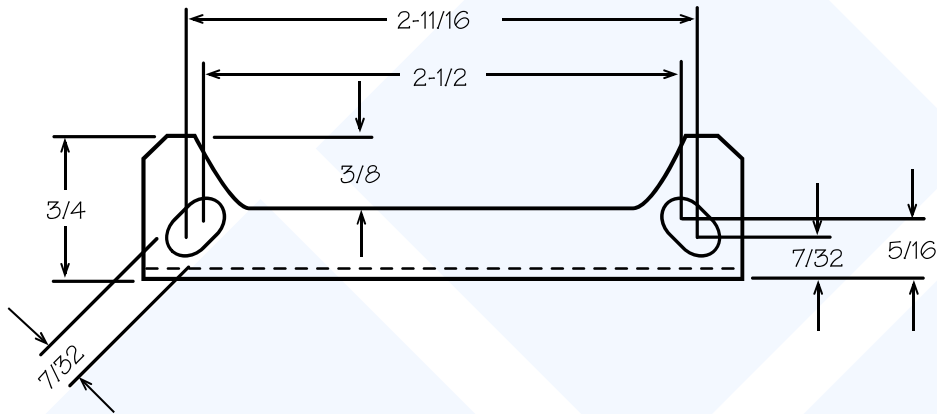
Phone: (513) 793-8100
FAX: (513) 793-0624

Links

E-Mail: sales@bahrsdie.com
Web: www.bahrsdie.com



Bahrs
Die & Stamping Co., Inc.
4375 Rossplain Rd., Cincinnati, OH 45236



Bahrs

Tolerances:
Decimal $\pm 0.005''$
Fractional $\pm 1/64''$

Phone: (513) 793-8100
FAX: (513) 793-0624

Links

E-Mail: sales@bahrsdie.com
Web: www.bahrsdie.com



Bahrs
Die & Stamping Co., Inc.
4375 Rossplain Rd., Cincinnati, OH 45236

[Click to go to: Welding Strap - 3/4" Horizontal Mounting](#) 78

[Fibre Washer](#) 79

[Box Plates - BP 18N509](#) 80

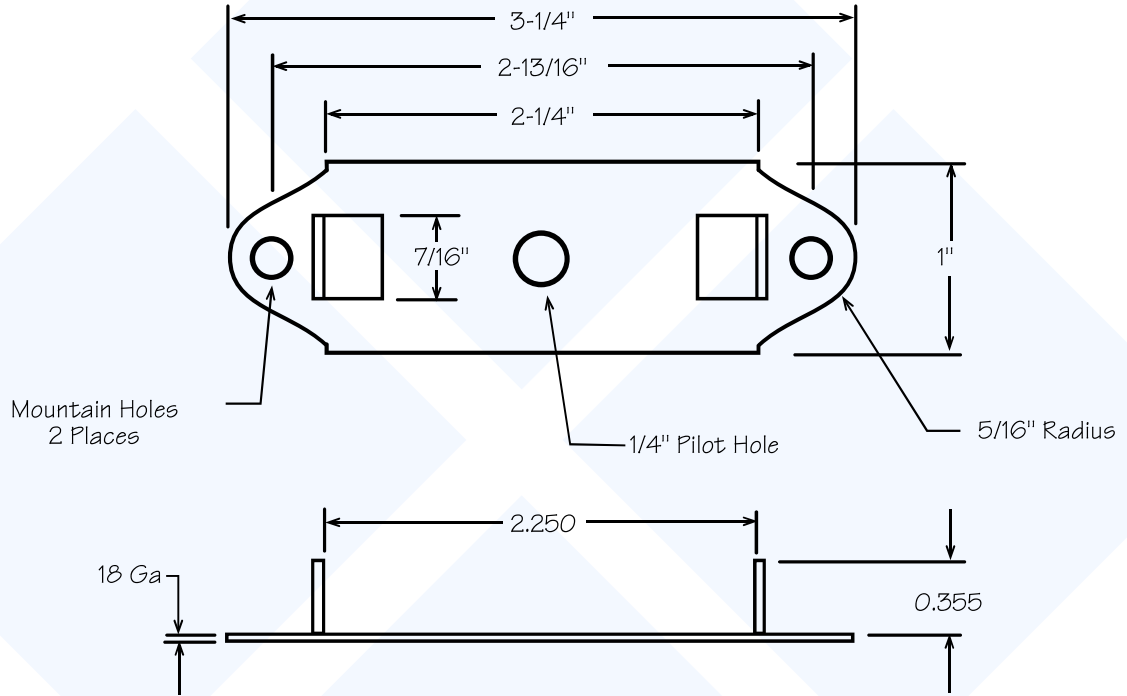
[Box Plates - BP 18879](#) 81

[Box Plates - BP 18109](#) 82

Miscellaneous

Bahrs

HMS75100



Mounting
3/16" Holes
3/16" X 9/32" Slots

Tolerances:
Decimal $\pm 0.005"$
Fractional $\pm 1/64"$

Material 18 GA
CRS—Colled Rolled Steel

Phone: (513) 793-8100
FAX: (513) 793-0624

Links

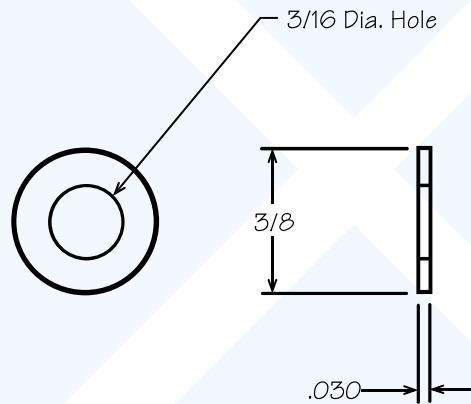
E-Mail: sales@bahrsdie.com
Web: www.bahrsdie.com



Bahrs

Die & Stamping Co., Inc.
4375 Rossplain Rd., Cincinnati, OH 45236

W-1



Material: Red Vulcanized Fibre

Bahrs

Tolerances:
Decimal ± 0.005 "
Fractional $\pm 1/64$ "

E-Mail: sales@bahrsdie.com

Web: www.bahrsdie.com

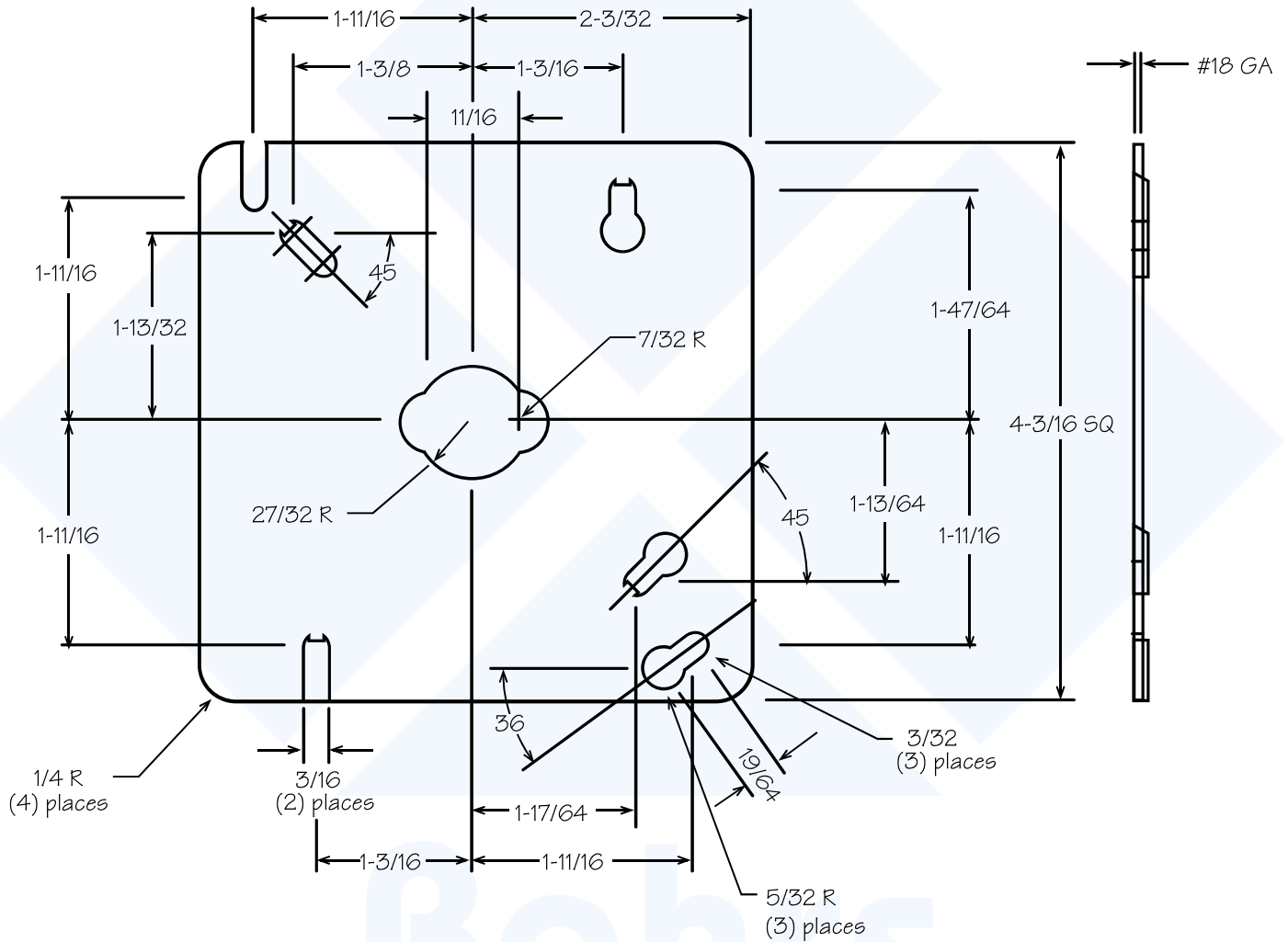
Phone: (513) 793-8100
FAX: (513) 793-0624



Bahrs

Die & Stamping Co., Inc.
4375 Rossplain Rd., Cincinnati, OH 45236

BP 18N509



Tolerances:
 Decimal $\pm 0.005"$
 Fractional $\pm 1/64"$

Phone: (513) 793-8100
 FAX: (513) 793-0624

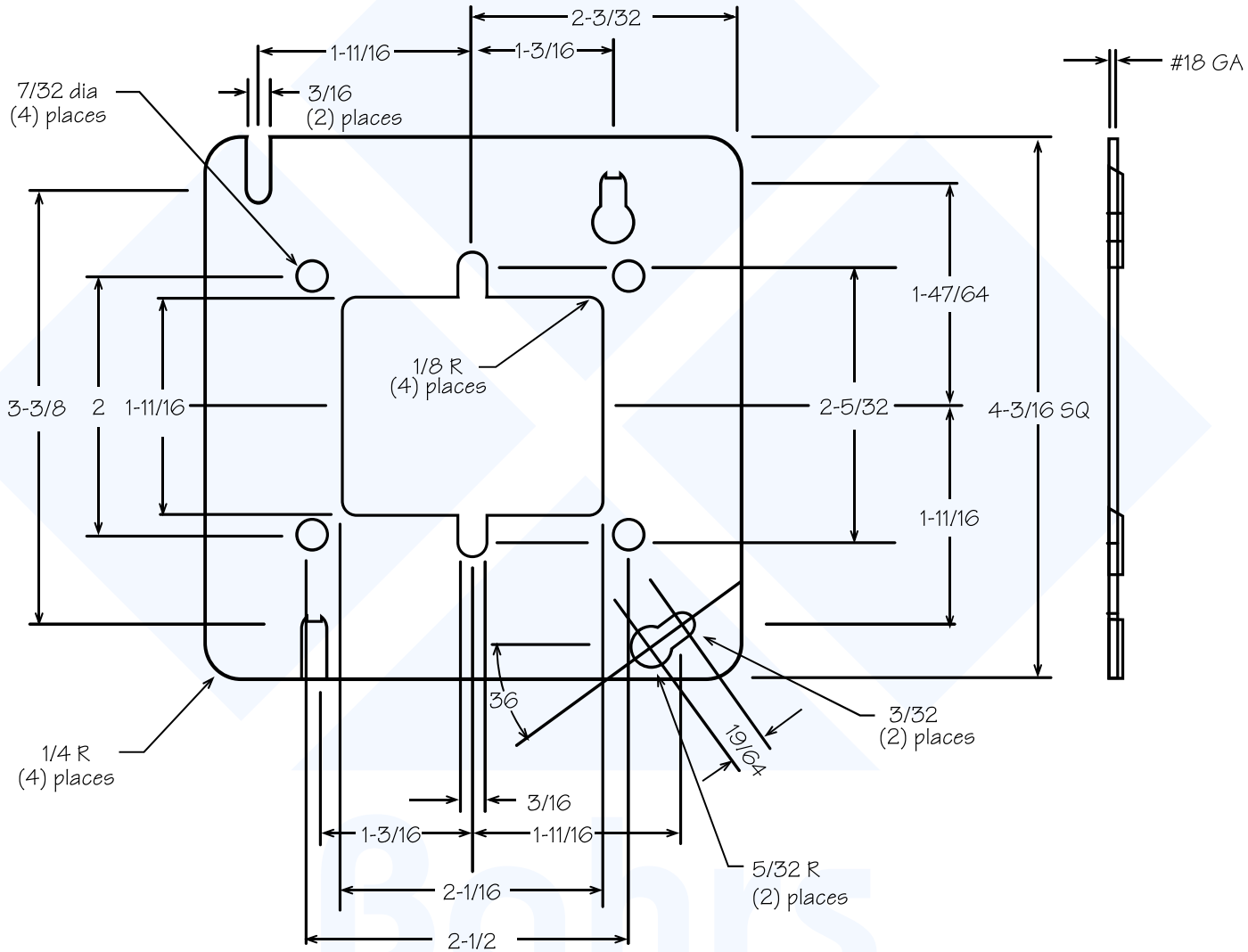
Links

E-Mail: sales@bahrsdie.com
 Web: www.bahrsdie.com



Bahrs
 Die & Stamping Co., Inc.
 4375 Rossplain Rd., Cincinnati, OH 45236

BP 18109



Tolerances:
 Decimal ± 0.005 "
 Fractional $\pm 1/64$ "

Phone: (513) 793-8100
 FAX: (513) 793-0624

Links E-Mail: sales@bahrsdie.com
 Web: www.bahrsdie.com



Bahrs
 Die & Stamping Co., Inc.
 4375 Rossplain Rd., Cincinnati, OH 45236