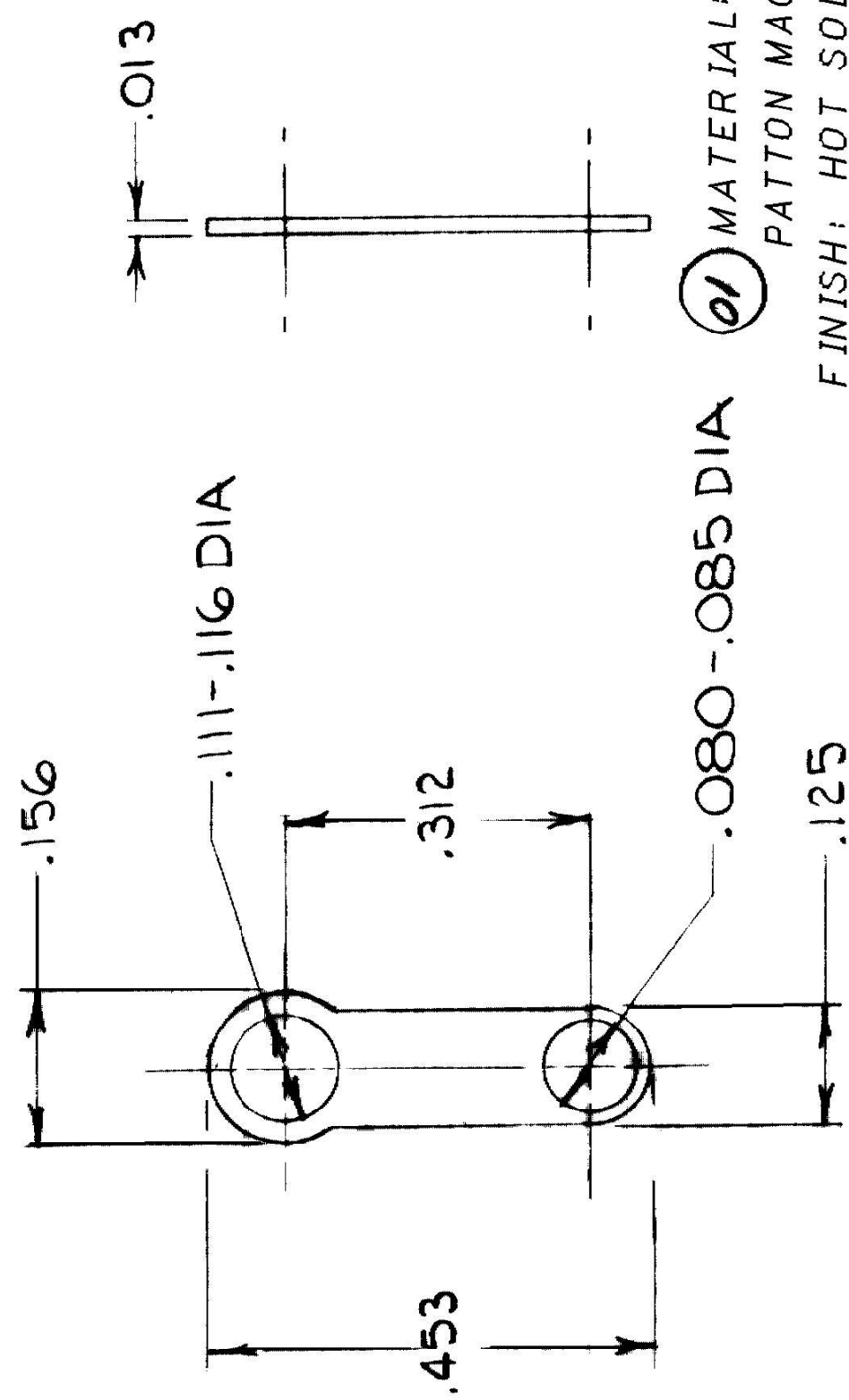


APPLICATION

REVISIONS

EXT ASSY	USED ON	LTR	DESCRIPTION	DATE	APPROVED
		1	SCN 3981	2-21-75	AKA
		2	SCN 17364	10-17-84	JJM
		3	SCN 18885	2-27-86	D.P.
		4	SCN 21164	4-12-88	D.P.



01 MATERIAL: .013 BRASS
 PATTON MAGGUYER #4014
 FINISH: HOT SOLDER DIP PER
 MIL-F-14072 TYPE M221