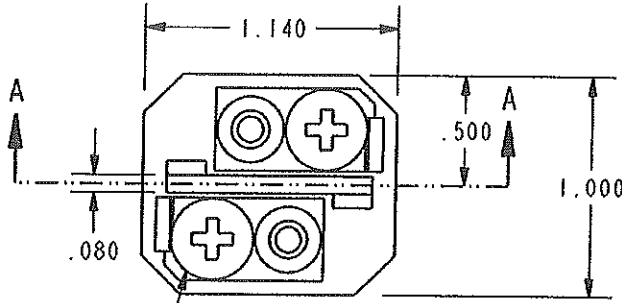


RHEEM MANUFACTURING CO. WATER HEATER DIVISION RESTRICTED & CONFIDENTIAL

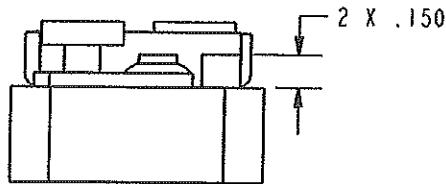
TOLERANCES UNLESS OTHERWISE SPECIFIED - FRACTIONAL $\pm 1/32$ - DECIMAL $\pm .031$ - ANGULAR $\pm 2^\circ$

FRONT VIEW

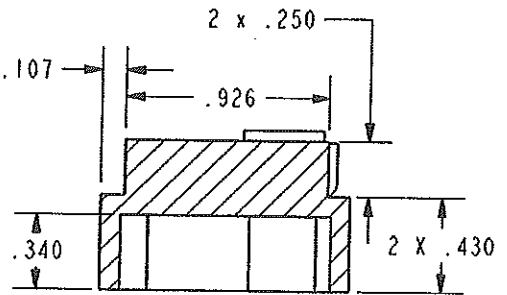


2 X 10-24 SCREW

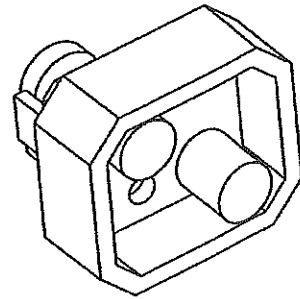
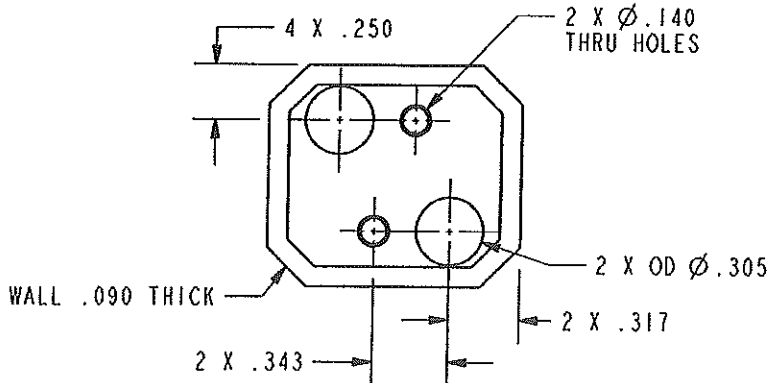
SIDE VIEW



SECTION A - A



BACK VIEW



NOTES:

- 1) TERMINAL BLOCK MATERIAL: POLYPROPYLENE.
- 2) TERMINAL AND TERMINAL SCREW MATERIAL:
1030 CARBON STEEL PER ASTM E1085 OR EQUIVALENT,
NICKEL PLATING PER ASTM E1476.

**ALL CHANGES TO THIS PART MUST HAVE
PRIOR APPROVAL FROM RHEEM R&D DEPT.**

DRN BY: JLS	CHKD BY: WTM	PURCH APP: N/A	PART REV.
DWG DATE: 1/6/16	ENGR APP: AH	MFG ENGR: N/A	SHEET 1 OF 4
ASSEMBLY - ELEMENT TERMINAL BLOCK			PART NO. AP18134
			REV.

DESCRIPTION OF REVISION

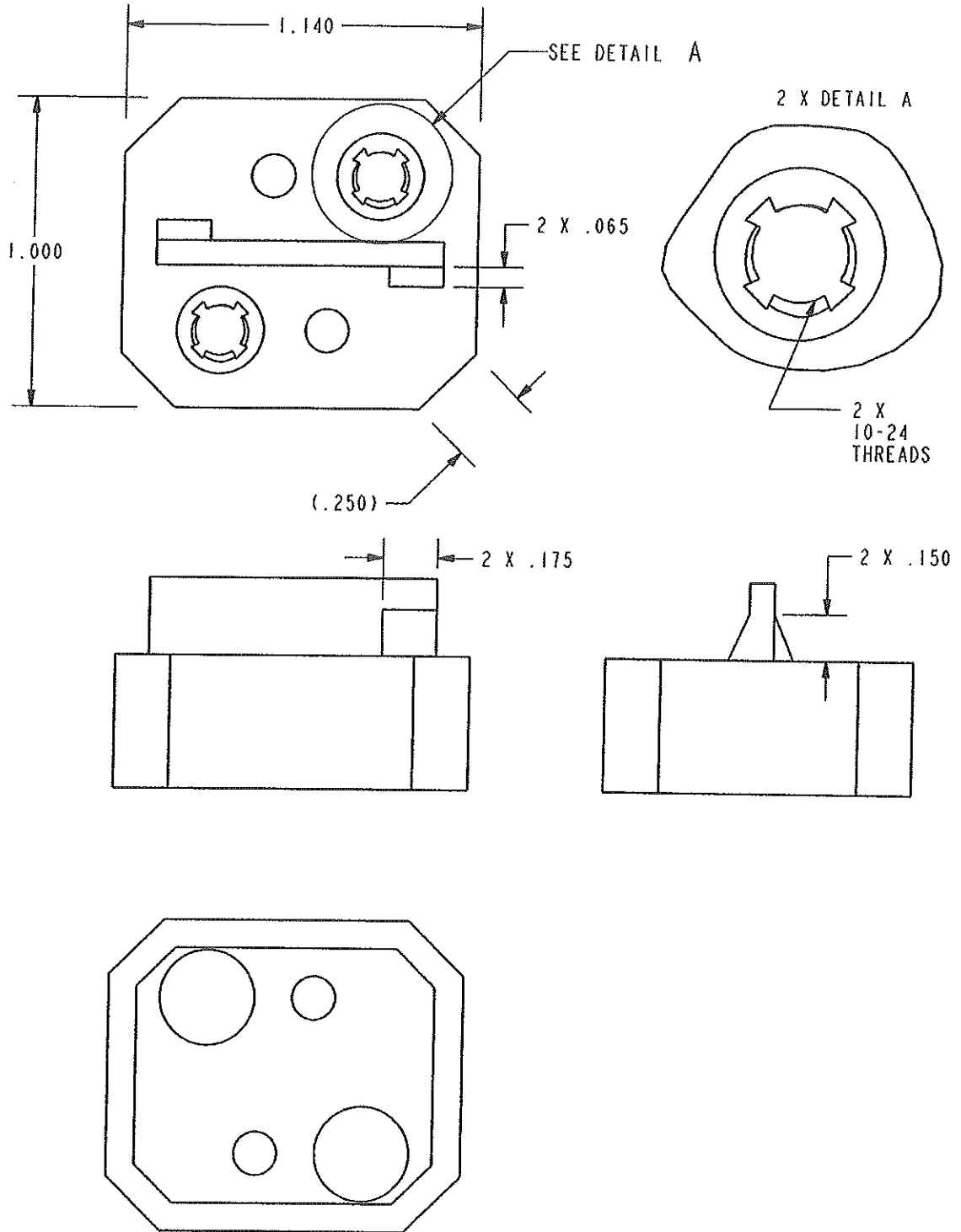
MATERIAL
SEE DRAWING

REV. BY: REV. DATE:
EC NO: TBD
PROIE

RHEEM MANUFACTURING CO. WATER HEATER DIVISION RESTRICTED & CONFIDENTIAL

TOLERANCES UNLESS OTHERWISE SPECIFIED - FRACTIONAL $\pm 1/32$ - DECIMAL $\pm .031$ - ANGULAR $\pm 2^\circ$

REV. BY: REV. DATE:
 EC NO: TBD
 PROVE



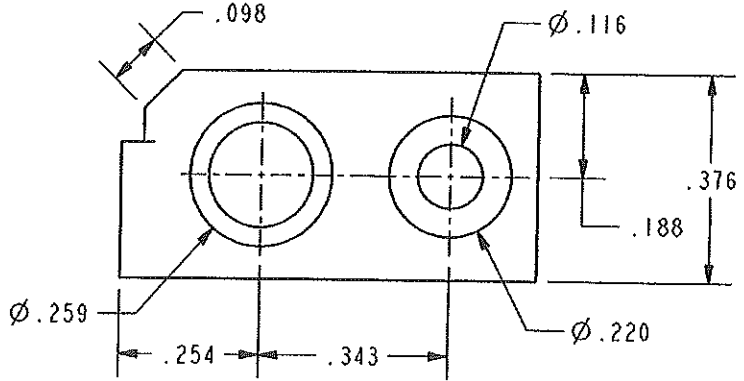
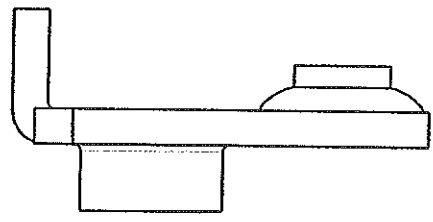
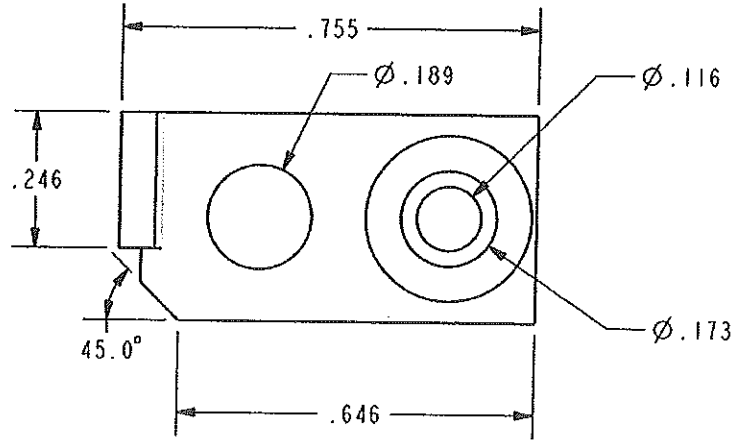
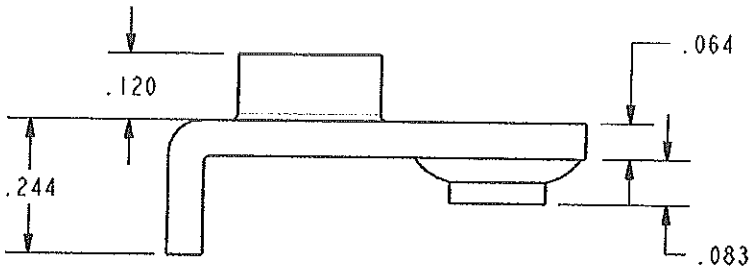
TERMINAL BLOCK QTY 1 REQUIRED

DRN BY: JLS	CHKD BY: WTM	PURCH APP: N/A	PART REV.
DWG DATE: 1/6/16	ENGR APP: AH	MFG ENGR: N/A	SHEET 2 OF 4
ASSEMBLY - ELEMENT TERMINAL BLOCK			REV.
PART NO. AP18134			

DESCRIPTION OF REVISION

MATERIAL SEE DRAWING

TOLERANCES UNLESS OTHERWISE SPECIFIED - FRACTIONAL $\pm 1/32$ - DECIMAL $\pm .031$ - ANGULAR $\pm 2^\circ$



TERMINALS QTY 2 REQUIRED

RHEEM MANUFACTURING CO. WATER HEATER DIVISION RESTRICTED & CONFIDENTIAL

EC NO: TBD
REV. BY:
REV. DATE:

PROF

DESCRIPTION OF REVISION

MATERIAL
SEE DRAWING

DRN BY: JLS	CHKD BY: WTM	PURCH APP: N/A	PART REV.
DWG DATE: 1/6/16	ENGR APP: AH	MFG ENGR: N/A	SHEET 3 OF 4
ASSEMBLY - ELEMENT TERMINAL BLOCK			PART NO. AP18134
			REV.

TOLERANCES UNLESS OTHERWISE SPECIFIED - FRACTIONAL $\pm 1/32$ - DECIMAL $\pm .031$ - ANGULAR $\pm 2^\circ$

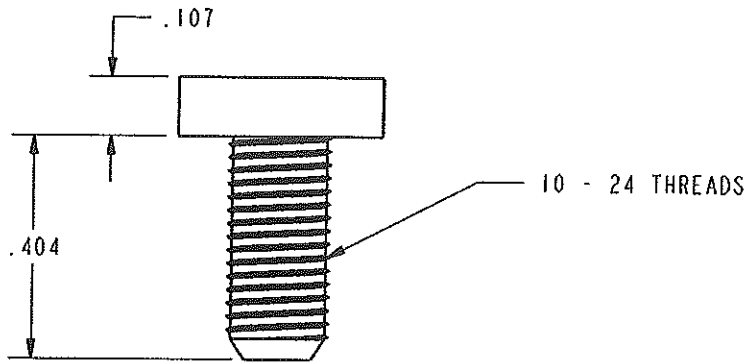
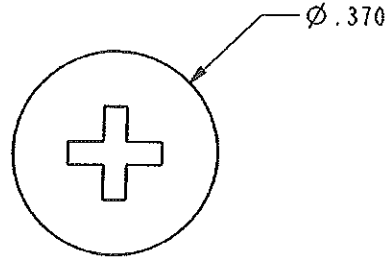
RHEEM MANUFACTURING CO. WATER HEATER DIVISION RESTRICTED & CONFIDENTIAL

DESCRIPTION OF REVISION

REV. BY:
REV. DATE:

EC NO:
TBD

PROIE



SCREWS QTY 2 REQUIRED

DRN BY: JLS	CHKD BY: WTM	PURCH APP: N/A	PART REV.
DWG DATE: 1/6/16	ENGR APP: AH	MFG ENGR: N/A	SHEET 4 OF 4
ASSEMBLY - ELEMENT TERMINAL BLOCK		PART NO. AP18134	REV.

MATERIAL
SEE DRAWING