

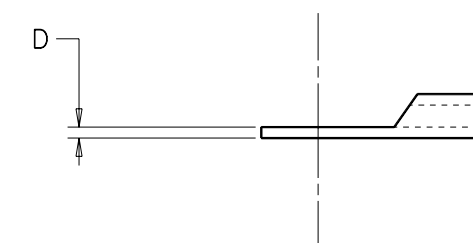
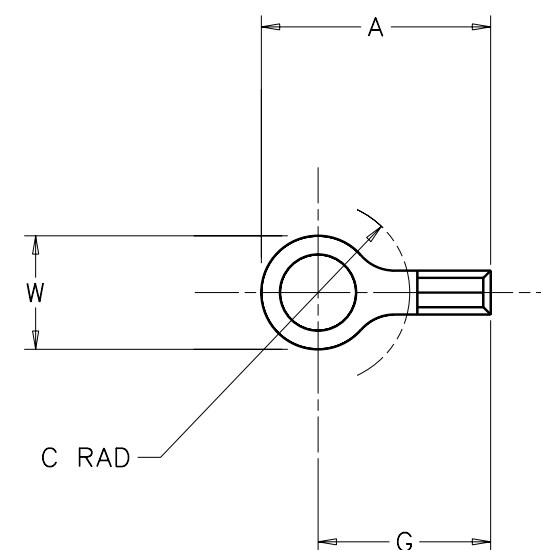
LOCKHEED MARTIN PROPRIETARY INFORMATION

INFORMATION INCLUDED HEREIN IS CONTROLLED UNDER THE INTERNATIONAL TRAFFIC IN ARMS REGULATIONS (ITAR) BY THE U.S. DEPARTMENT OF STATE. TRANSFER OF THIS INFORMATION TO A FOREIGN PERSON OR FOREIGN ENTITY REQUIRES AN EXPORT LIC. ISSUED BY THE U.S. STATE DEPARTMENT OR AN ITAR EXEMPTION TO THE LIC. REQUIREMENT PRIOR TO EXPORT OR TRANSFER. THE INFORMATION CONTAINED HEREIN INCLUDES PROPRIETARY OR TRADE SECRET INFORMATION AND SHALL NOT BE COPIED, USED OR DISCLOSED, IN WHOLE OR IN PART WITHOUT THE EXPRESS PRIOR WRITTEN CONSENT OF LOCKHEED MARTIN.

DWG NO	20108473	SH	1
REVISION HISTORY			
REV	DESCRIPTION	DATE	APPROVED
A	REVISED PER PPT1814	P. Y.	02/10/15 D. BIGGS

NOTES:

- 1 APPLICABLE STANDARDS/SPECIFICATIONS:
  - A. DRAWING REQUIREMENTS ARE IN ACCORDANCE WITH MIL-STD-100.
  - B. WORKMANSHIP SHALL CONFORM TO 8030035.
- 2 MATERIAL: COPPER, TYPE CDA 110, FULLY ANNEALED.
- 3 FINISH: NICKEL PLATE, 300 MICROINCH MINIMUM THICKNESS.
- 4 REMOVE BURRS AND BREAK SHARP EDGES.
- 5 PARTS DELINEATED HEREON ARE SIMILAR TO MS20659 AND 20108077. EXCEPT FOR FINISH. ENSURE THAT THIS PART WILL MEET FORM, FIT AND FUNCTION SO AS TO BE USED AS A SUBSTITUTE FOR MS20659.
- 6 SUGGESTED SOURCE OF SUPPLY: PANDUIT ELECTRICAL GROUP  
17301 SOUTH RIDGELAND AVENUE  
TINLEY PARK, ILLINOIS 60477-3091  
CAGE CODE 06383
- 7 BAG AND TAG PER 2280760, TYPE II. IDENTIFY PER MIL-STD-130 AS FOLLOWS:  
08GY3-20108473P[USE APPLICABLE PART NO.]



STANDARD PANDUIT NICKEL PLATED RING TERMINALS

PART NO.	PANDUIT PART NO.	WIRE RANGE	STUD SIZE	DIMENSIONS				
				A	W	C	G	D STOCK
P101	P18-6RHT6-	22-18	6	.62	.25	.21	.50	.03
P102	P18-10RHT6-	22-18	10	.71	.31	.25	.55	.03
P165	P10-6RHT6-	12-10	6	.78	.31	.35	.62	.04

SPECIAL PANDUIT NICKEL PLATED RING TERMINALS

PART NO.	PANDUIT PART NO.	WIRE RANGE	STUD SIZE	DIMENSIONS				
				A	W	C	G	D STOCK
P138	NCP18-4RHT6-M	22-18	4	.62	.25	.21	.50	.03
P139	NCP14-4RHT6-M	16-14	4	.62	.25	.20	.50	.03

SOURCE CONTROL DRAWING

ALL SHEETS ARE THE SAME REVISION STATUS

UNLESS OTHERWISE SPECIFIED DIMENSIONS ARE IN INCHES		SIGNATURES		DR/NO/DAY
TOLERANCES ON:		DRAWN P. YANUSHIS		02/09/24
2-PLACE DECIMALS ± .01		CHECKED A. FISHER		02/10/10
3-PLACE DECIMALS ± .005		ENGRG D. BIGGS		02/10/10
4-PLACE DECIMALS ± .0005		MFG R. ELISII		02/10/08
ANGLES ± 0.5 DEGREES		QA B. SHEDICK		02/10/09
INTERPRET DIMENSIONS AND TOLERANCES PER ASME Y14.5M-1994		MATEL M. HANICHAK		02/10/08
THIRD ANGLE PROJECTION		ISSUED		
CONTRACT NUMBER		SIZE	CAGE CODE	DWG NUMBER
-		E	08GY3	20108473
SUFFIX		SCALE	NONE	
MULTIPLE GEN USE		SHEET 1 OF 1		REV A
NEXT ASSY USED ON		IDEAS MASTER SERIES		
APPLICATION				

LOCKHEED MARTIN CORP  
LOCKHEED MARTIN SPACE SYSTEMS CO  
100 CAMPUS DRIVE, NEWTOWN, PA 18940-1784  
TERMINAL LUG,  
CRIMP STYLE