

TO:

ATTN.:

PLEASE QUOTE YOUR BEST PRICES AND DELIVERY LEAD TIME BASED ON 30,000 PIECES, 190,000 PIECES AND 380,000 PIECES PER SHIPMENT.

PLEASE INDICATE THE PRODUCT UNIT WEIGHT AND PACKING SIZE WHEN YOU QUOTE.

PLEASE REPLY TODAY.

REGARDS,
JAMES VU

EMAILED

28 MAY 2015

Please e-mail your best quote to :-
recept@eximfr.com.sg

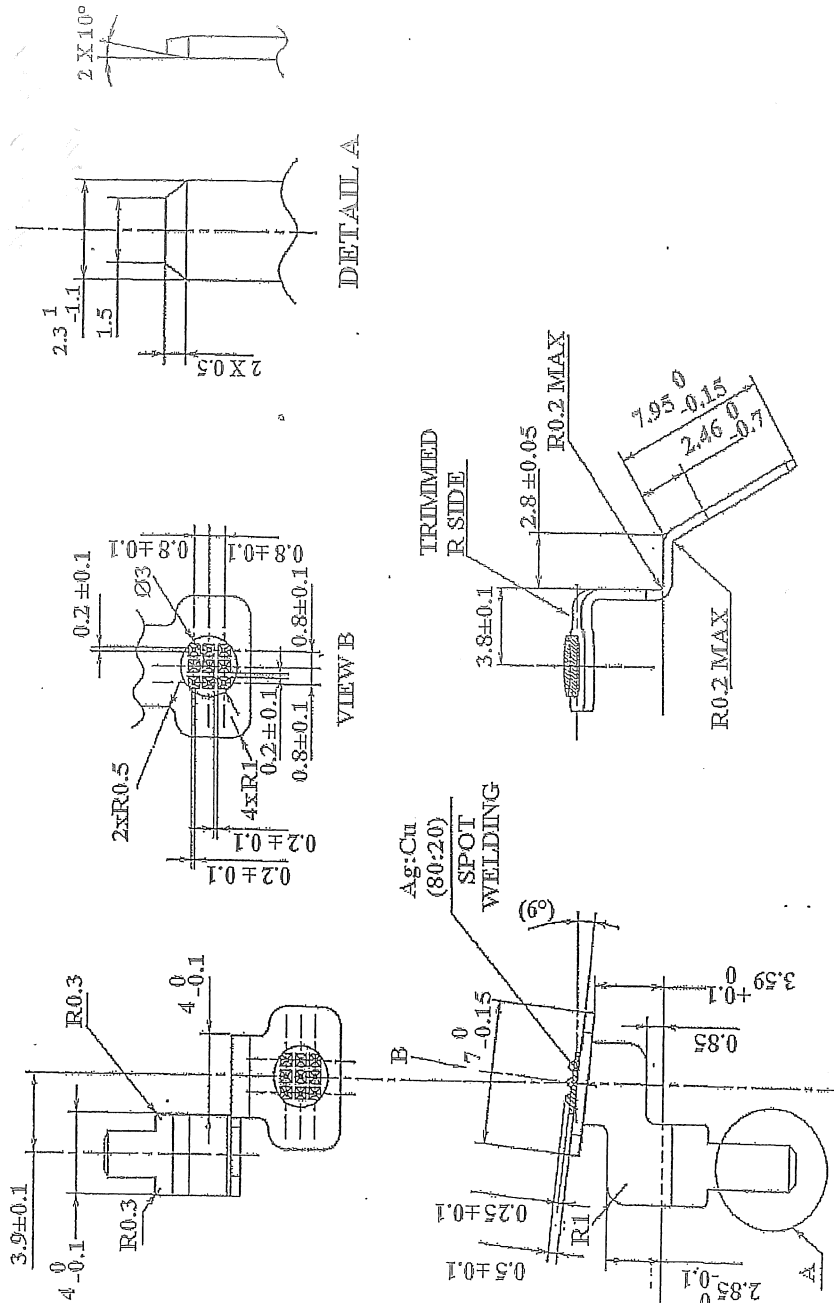
NOT TO SCALE

EXIM & MFR ENTERPRISE

CO REG NO. 28993500L
30 Kallang Pudding Road
#06-07 Vallant Industrial Bldg.
Singapore 349312
Tel : 65-6743 0033
Fax : 65-6744 2827 / 65-6742 2566
EMAIL: recept@eximfr.com.sg

PAGE ONE OF ONE

DIMENSIONS IN MM (UNLESS OTHERWISE SPECIFIED)



- NOTES:
- 1) RADII WITHOUT DIRECTION ARE R0.5
 - 2) ACID PICKLING BEFORE SPOT WELDING

MATERIAL		PREPARED BY		DATE		TITLE	
BRASS C2600P THICKNESS : 0.5 mm		ISAAC		24 / APR / 2015		TERMINAL	
FINISH		ENQUIRE BY		DATE		DWGNO	
TOLERANCES (unless otherwise specified)		JAMES VU		24 / APR / 2015		JV-ASA-TERMINAL2HG504-031	
PAGE		Angle Tolerances		±		REV.	
ONE		OF		± 0.1 ± 0.2 ± 0.3		-	
ONE		ONE		JIS B 0405-h 30 < ≤120		-	

SA-014/A