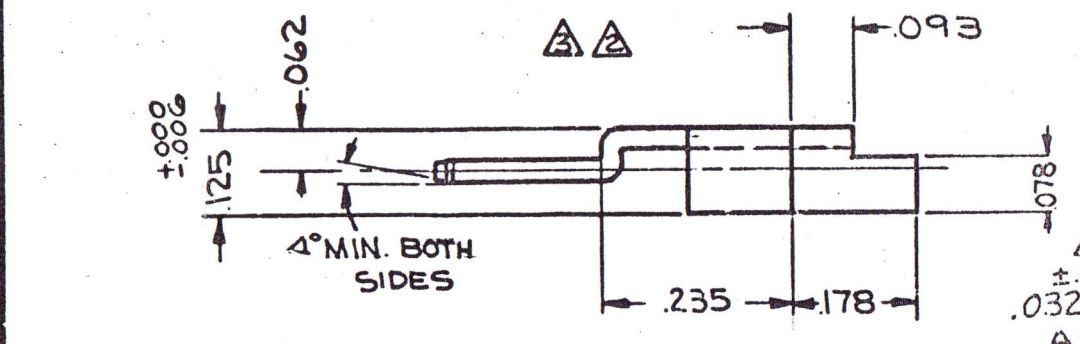
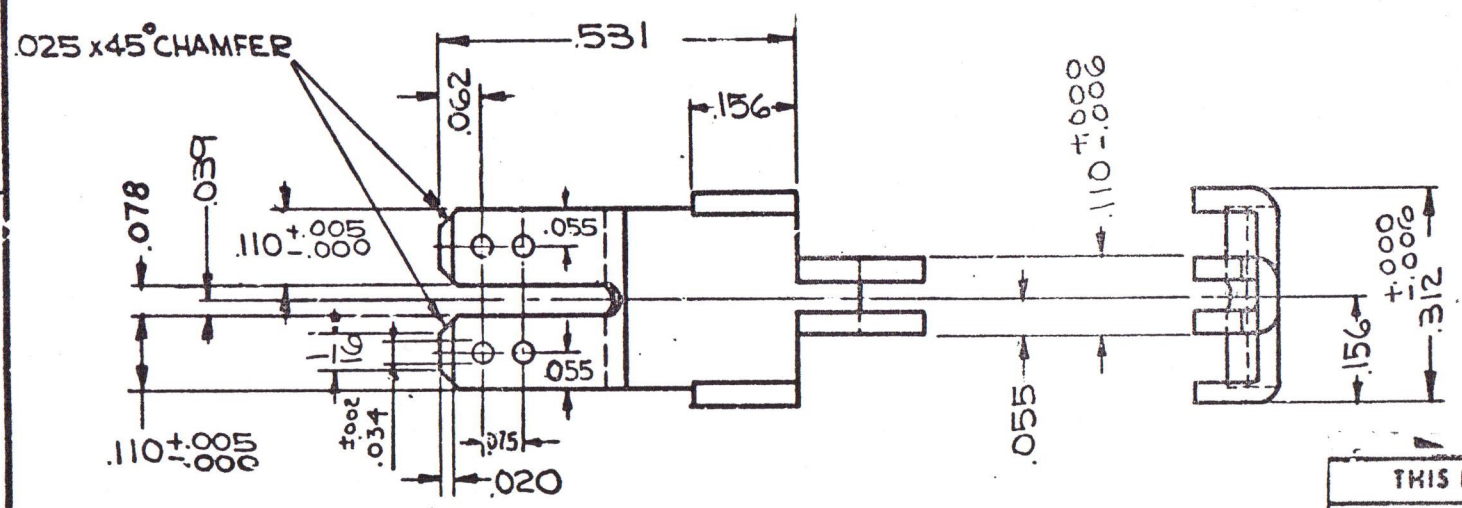


DWG. NO. G-15479

**ENGINEERING ONLY
NOT FOR PRODUCTION**



±.001
.032 CARTRIDGE BRASS H.H.
ASTM B-36 ALLOY #6
▲ SURFACE TREATMENT PER 40001-053-II.



THIS PART	REV. LTR.
G-15479	M

CHANGE	
LTR.	NUMBER
H	147-67
1	1648-72
2	1250-74
3	1250A-74
4	2307-76

CHANGE	
LTR.	NUMBER
A	1248-64
B	1248A-64
C	1248B-64
D	1248D-64
E	1248E-64
F	1050-65
G	2181-65

ALLOWANCES UNLESS OTHERWISE SPECIFIED
FRACTIONAL DIMENSIONS ± 1/64
DECIMAL DIMENSIONS ± .005

ALLEN-BRADLEY CO.
MILWAUKEE, WISCONSIN

**TAB TERMINAL
FOR REED RELAY**

DR. **E.H.S.** CHKD. DATE **7-7-64**

REFERENCES	
G-15482	
PRODUCTION	DESIGN
PRODUCT LINE	SERIES
1610	
SHEET 1	OF 1
DWG. SIZE	A
DWG. NO.	G-15479

EG-15479
TIN PLATED

P-6-1