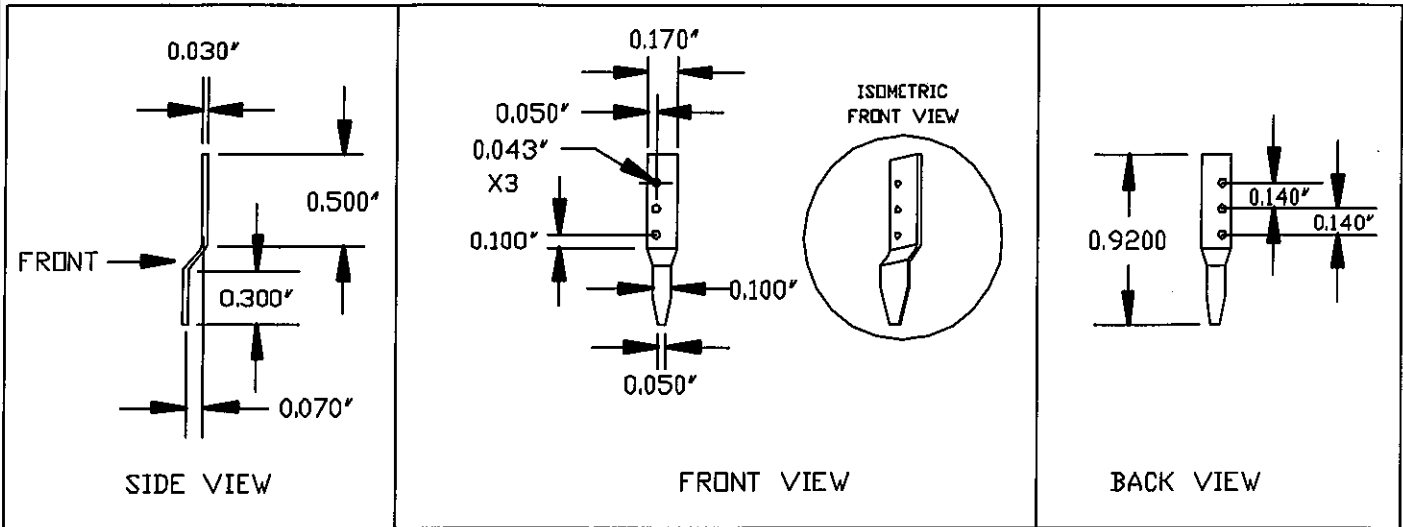


LEFT TERMINAL BLADE
CA006335

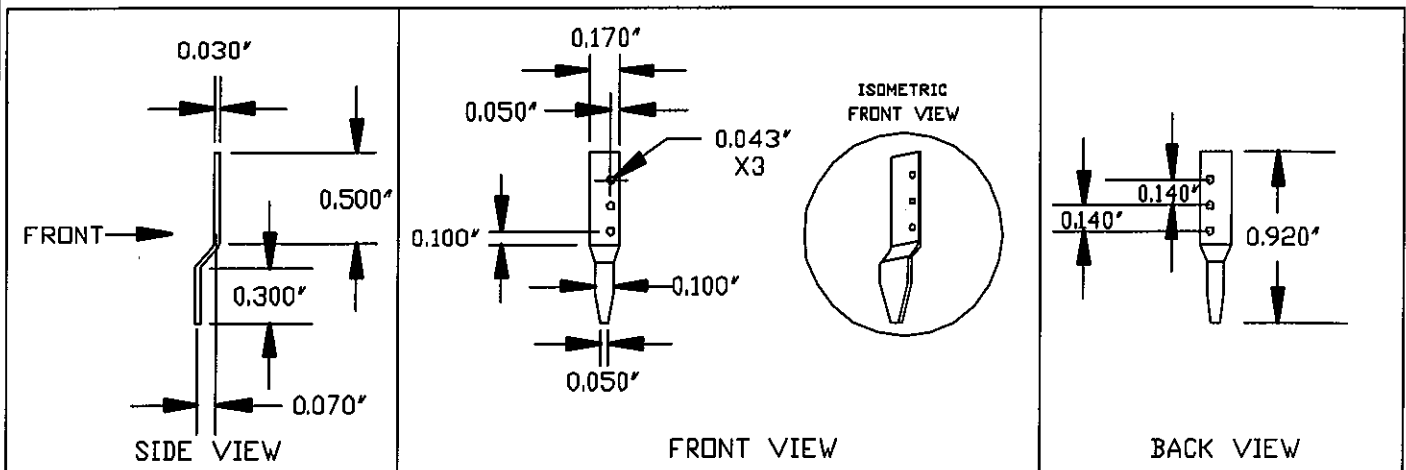


LEFT TERMINAL BLADE: FRONT VIEW, HOLES ON LEFT SIDE

MATERIAL:

SILVER PLATED ZINC
FOR LEFT & RIGHT BLADE TERMINALS.

RIGHT TERMINAL BLADE
CA006336



RIGHT TERMINAL BLADE: FRONT VIEW, HOLES ON RIGHT SIDE



COMMUNICATION ASSOCIATES

1730 COLEMAN RD
ANNISTON, AL 36207
USA

(256) 835-0900

CONFIDENTIAL - PROPRIETARY DOCUMENT

TITLE

LEFT AND RIGHT TERMINAL BLADES

FINAL REL.

SOFTWARE FILE NAME:

CA006335, CA006336B.DWG

DRAWING NO.

CA006335, CA006336

PAGE

2 OF 2

REV.

A