

4

3

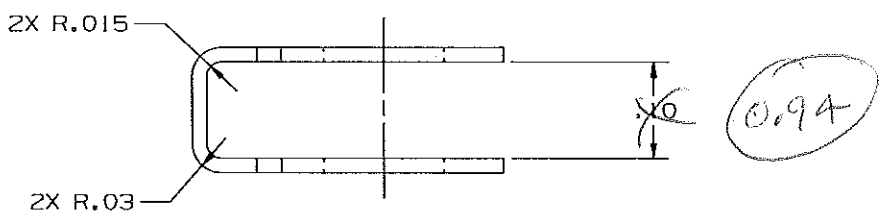
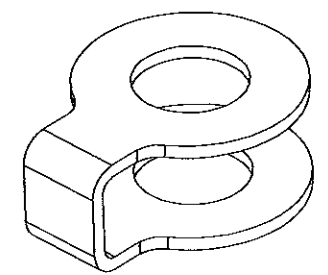
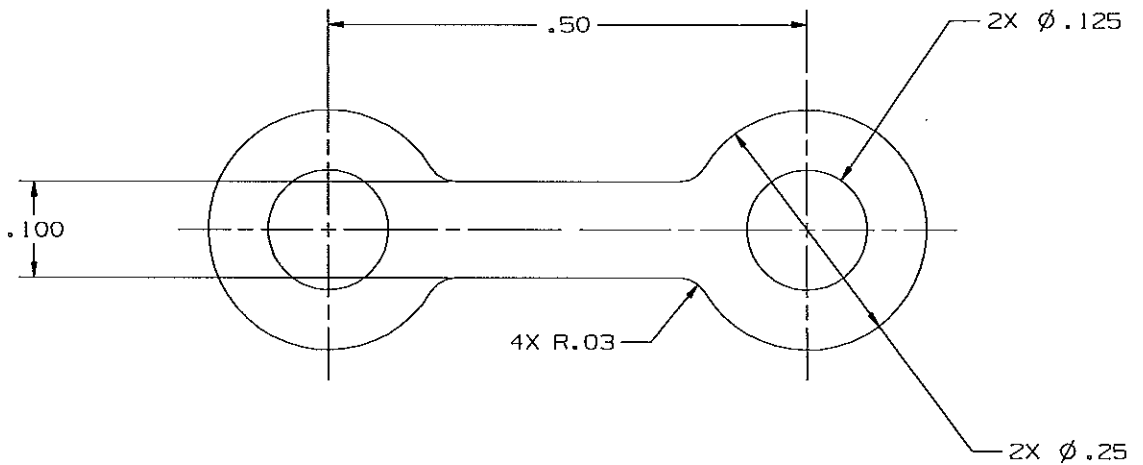
2

1

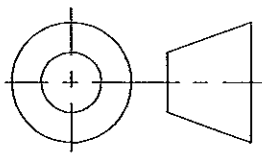
SAFRAN POWER USA, LLC PROPRIETARY
 THE INFORMATION CONTAINED HEREIN IS PROPRIETARY AND CONFIDENTIAL TO SAFRAN POWER USA, LLC
 AND MAY NOT BE USED OR DISCLOSED WITHOUT THE PRIOR, SPECIFIC WRITTEN CONSENT OF
 SAFRAN POWER USA, LLC. THE UNAUTHORIZED USE OR DISCLOSURE THEREOF IS PROHIBITED AND MAY BE
 SUBJECT TO CRIMINAL AND/OR CIVIL LIABILITY. ©2013 SAFRAN POWER USA, LLC

DWG. NO. 51500-2050		SHT 1	REV 00	1
REVISION HISTORY				
ZONE	REV	DESCRIPTION	DATE	APPROVED

CAD MAINTAINED. CHANGES SHALL BE INCORPORATED BY THE DESIGN ACTIVITY



FORMED VIEW



XXX	XXX	GEOMETRIC DIMENSIONING & TOLERANCING PER ASME Y14.5-2009
NEXT ASSY	USED ON	
FIRST APPLICATION		

ITEM OR FIND NUMBER	QUANTITY	CAGE CODE	PART NUMBER	DESCRIPTION
PARTS LIST				
DO NOT SCALE THIS DRAWING. UNLESS OTHERWISE SPECIFIED, DIMENSIONS ARE IN INCHES.				CONTRACT NO. _____ DATE _____ SAFRAN Power SAFRAN POWER USA TWINSBURG, OH 44087
TOLERANCES ON:				CLIP; GROUND
DECIMALS		ANGLES		
.XX = ±.01	.XXX = ±.005	±0.5°		
MATERIALS: BRASS				SIZE C CAGE CODE 3CPE0 DWG. NO. 51500-2050 REV. 00
HEAT TREATMENT: TIN				SCALE 1/1 SHEET 1 OF 1
FINISH: N/A TIN				

DWG. NO. 51500-2050
 SHT 1
 REV 00

4

3

2

1

D

D

C

C

B

A

A