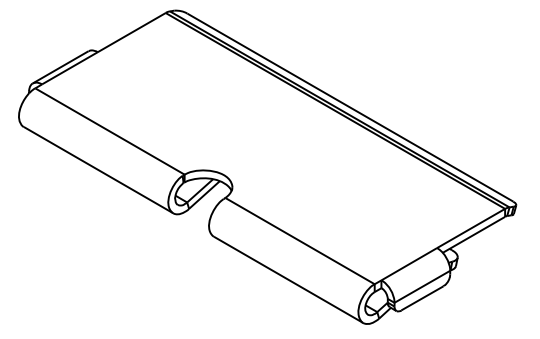
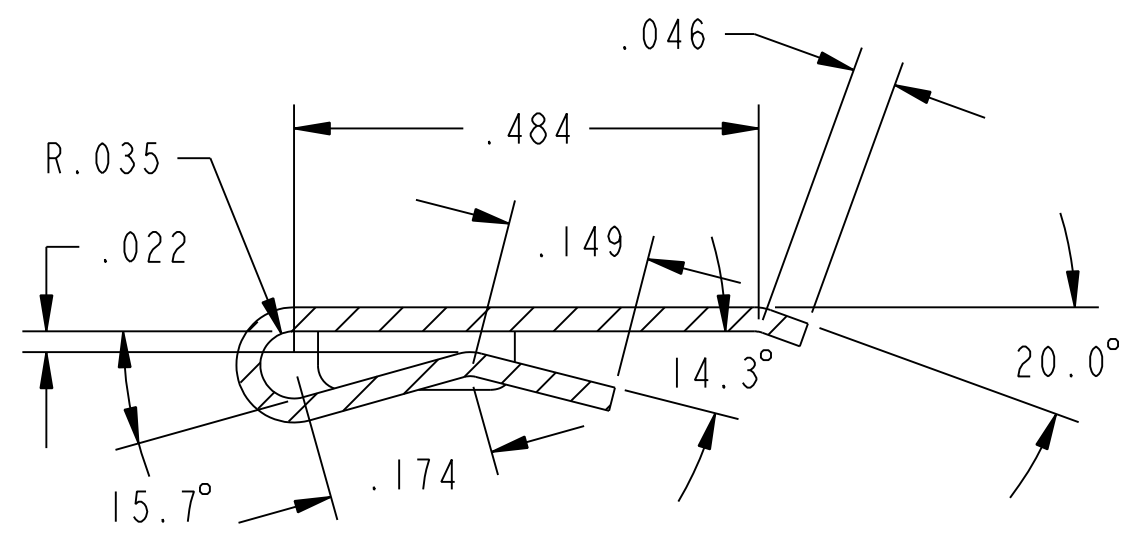
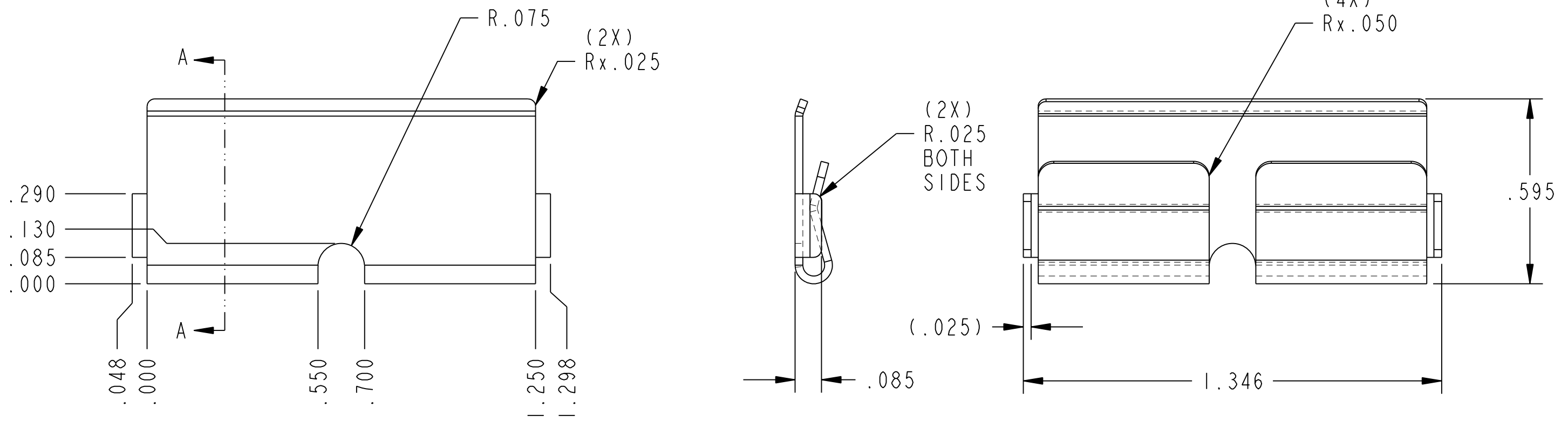


SPECIFICATIONS:
MATERIAL: CDA 260 BRASS, 1/2 HARD
 .025 THK.
FINISH: BRIGHT TIN PLATE
REFER TO: DGI-0012

NOTES:
 (UNLESS OTHERWISE SPECIFIED)
 1. BEND RADIUS EQUALS MATL. THICKNESS.
 2. DEBURR ALL EDGES.
 3. PART MUST BE FREE OF DIRT AND OIL



SECTION A-A
 SCALE 5.000



TOLERANCE:
 .XX TO ±.03
 .XXX TO ±.015
 .XXXX TO ±.005

REV: A

		DRAWN BY: JEE	DATE 21-Feb-13	THIS MATERIAL IS THE EXCLUSIVE PROPERTY OF TOSHIBA INTERNATIONAL CORPORATION AND SHALL NOT BE REPRODUCED, USED OR DISCLOSED TO OTHERS UNLESS PRIOR WRITTEN AUTHORIZATION IS OBTAINED.	TITLE: CLIP, BATTERY INTERCONNECT	SCALE 3.000	ORDER NO.
		CHECKED BY: WLM	DATE 22-Feb-13			DRAWING NO. 68850	SH. 1 OF 1
		APPROVED BY: WLM	DATE 22-Feb-13				

TOSHIBA INTERNATIONAL CORPORATION
 13131 WEST LITTLE YORK ROAD, HOUSTON, TX, 77041 U.S.A.