

4

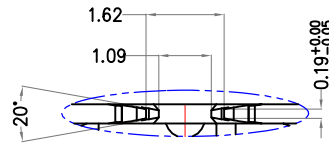
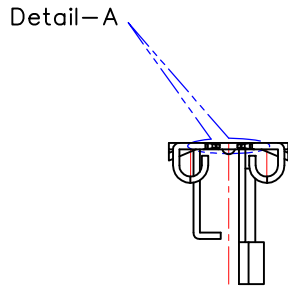
3

2

1

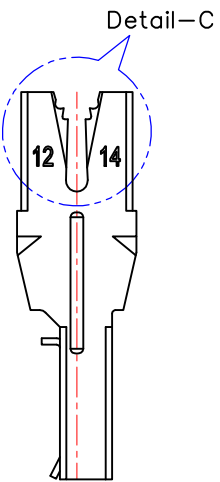
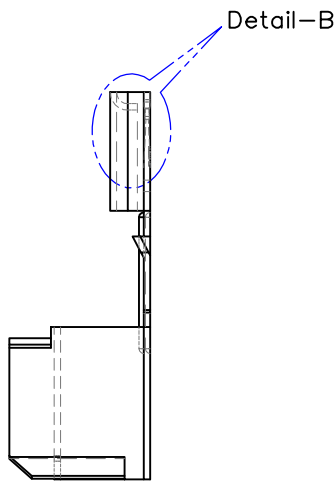
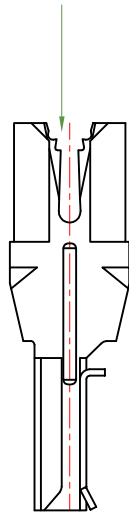
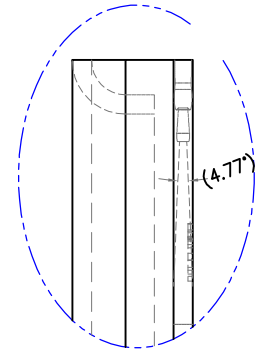
NOTE:-1)Remove all burrs, sharp edges & flashes 2) \* Indicates critical dimn. Tol.:  $\pm 0.05$  3) ( \* ) Indicates reference dimn.4) Unspecified corner radius :0.20 5) \* Dimn. As per std. 6) \*TYP.: Tolerance not applicable

Detail-A  
Scale-3:1

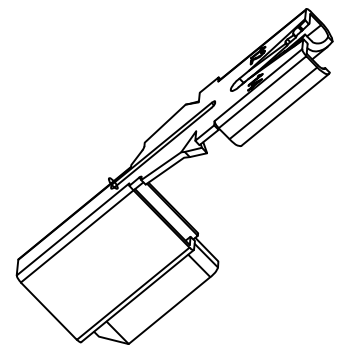
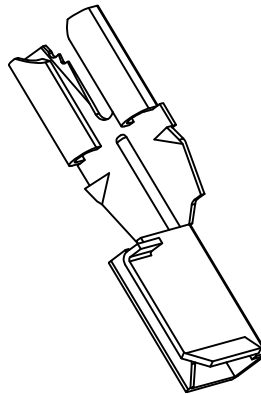
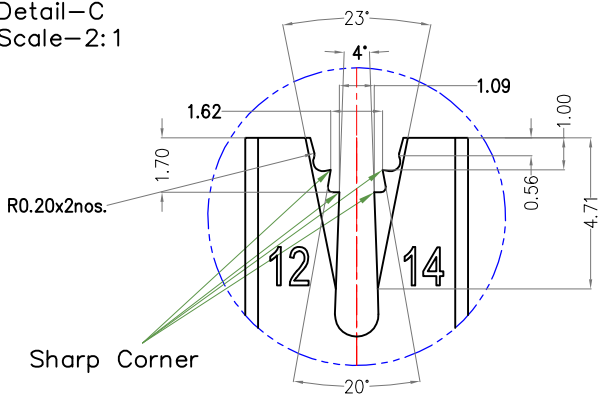


# DEVELOPMENT

Detail-B  
Scale-3:1



Detail-C  
Scale-2:1



TITLE:-

**L&N CONTACT**

FOR:-

MATERIAL/SURFACE

Brass 140-160 VP  
Plating-Nil only cleaning & antitarnish coat



ELCOM HOUSE  
M.B.LOHIA MARG  
413/1/1-A,  
GANDHINAGAR  
KOLHAPUR-416 119

**Elcom International Pvt. Ltd.**

REV	LOCN	IS	WAS	DATE	SIGN	APP

DIMENSIONS IN M.M.	UNSPECIFIED TOLERANCE			
	OVER	-	1.0	10.0
UP TO	1.0	10.0	-	APP
$\pm$	0.05	0.10	0.15	CHK
<span style="border: 1px solid black; padding: 0 2px;">*</span>	CRITICAL DIMENSIONS			$\pm 0.05$ DRN
$\angle$	ANGULAR DIMENSIONS			$\pm 3^\circ$ BY

DO NOT MEASURE THE DRG. IF IN DOUBT ASK	APP	DATE	PBM	QTY/UNIT	SHEET 1 OF 2	COMPUTER SCALE 1:1
$\pm$	17.06.12	17.06.12	MILIND	2nos.	DRAWING NUMBER	PRINT SCALE: NTS
<span style="border: 1px solid black; padding: 0 2px;">*</span>	17.06.12	17.06.12	<i>Sagar</i>			REVISION
$\angle$	DATE	DATE	SIGN			DO