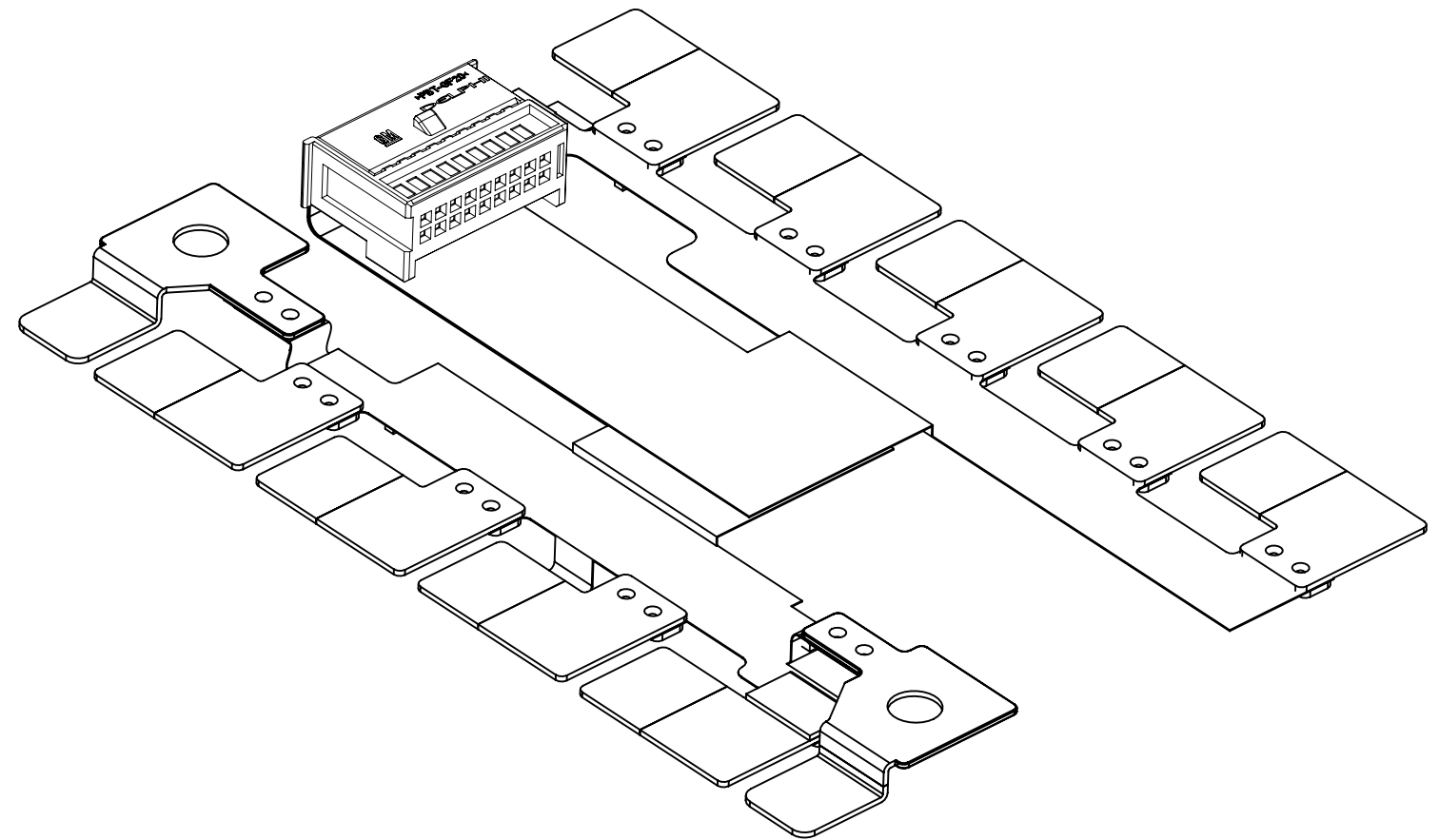

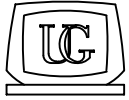


INDEX	
PAGE TITLE	PAGE
TITLE BLOCK	1
REVISION BLOCK	2
ASSEMBLY DIAGRAM	3
GENERAL NOTES	4
KPC BLOCK	5
DATUM LOCATIONS/BLOCK	6
DATUM LOCATIONS (CONTINUED)	7
FEATURE CONTROL VIEWS	8
FEATURE CONTROL VIEWS	9
FEATURE CONTROL VIEWS	10
FEATURE CONTROL VIEWS	11
FEATURE CONTROL VIEWS	12
FEATURE CONTROL VIEWS	13
FEATURE CONTROL VIEWS	14
FEATURE CONTROL VIEWS	15
FEATURE CONTROL VIEWS	16
FEATURE CONTROL VIEWS	17
PIN-OUT (FUNCTION/SIGNAL)	18
DETAIL COMPONENT VIEWS	19
DETAIL COMPONENT VIEWS	20



PRELIMINARY
E-SOR
REFERENCE
ONLY

	THIS DOCUMENT IS IN ACCORDANCE WITH ASME Y14.5M-1994 AS AMENDED BY THE GM GLOBAL DIMENSIONING AND TOLERANCING ADDENDUM - 2004.			DATE			
	 CHANGE RESTRICTED NO MANUAL CHANGES	REFERENCE BAS3/HEV4	DRAFTER	T. REEVES	11JN12		
APVD1			T. REEEVS	11JN12			
DO NOT SCALE	DRAWING NAME	APVD2	R. HEYDEL				
		APVD3					
METRIC DIMENSIONS SHOWN IN MILLIMETERS UNLESS OTHERWISE SPECIFIED	DWG: 10 CELL FLEX ASM A	APVD4					
		APVD5					
	DRAWING NUMBER	PAGE NUMBER					
		22924539	ST	REV	PD1	1	OF
		X	001				

PAGE	DWG STATUS					REVISION HISTORY	AUTH	DR	CK	ENG
	DATE	ST	REV	CHG	PDI					
		X	001			PRELIMINARY / E-SOR		TR	TR	RH



PAGE TITLE
REVISION BLOCK

DRAWING NUMBER
22924539

DWG STATUS		
ST	REV	PDI
X	001	

PAGE NUMBER
2 of 20

B2924539/001 (manifestation: B2924539.001.DRAWING001)
 DWG: 10 CELL FLEX ASM A

B2924539/001
 DWG: 10 CELL FLEX ASM A

AMN63642/001.0006
 FLEX ASM

AMN60488/001.0007
 FLEX B 10 CELL MODULE

AMN24726/001.0009
 MODULE POS. TERMINAL

1X308241/001.0004 X 6
 RIVET PLATE

1X308236/001.0005 X 4
 BUS BAR LH SIDE

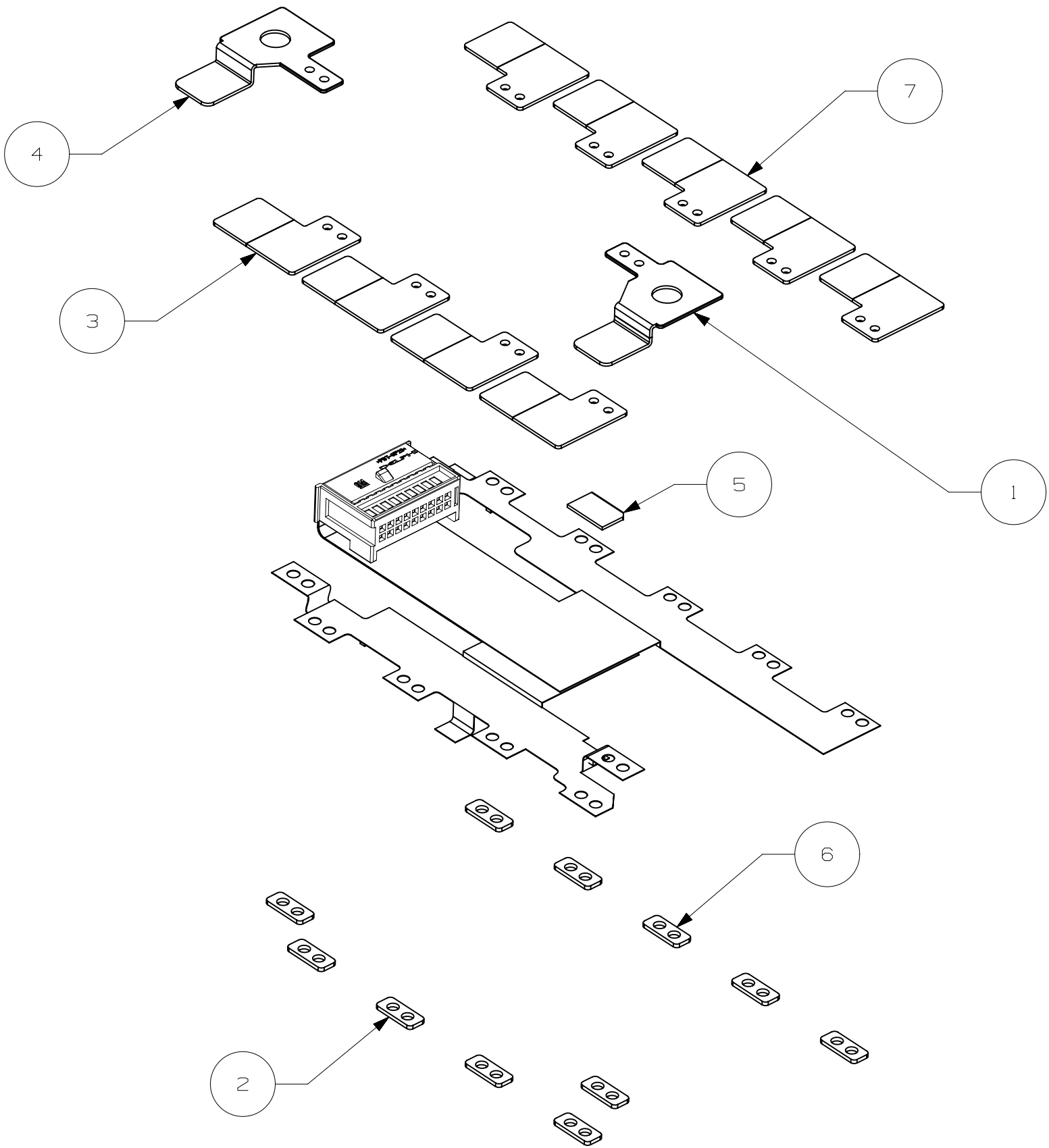
AMN24718/001.0006
 MODULE NEG TERMINAL

AMK41013/001.0002
 ISOLATION-PROTECTION BLOCK

AMN68364/001.0004
 FLEX A 10 CELL MODULE

1X308241/001.0004 X 5
 RIVET PLATE

1X308242/001.0005 X 5
 BUS BAR RH SIDE



- 1
- 2
- 3
- 4
- 5
- 6
- 7



PAGE TITLE
 ASSEMBLY DIAGRAM

DRAWING NUMBER
 22924539

DWG STATUS		
ST	REV	PD1
X	001	

PAGE NUMBER
 3 of 20

NOTES:

1. THIS DRAWING IS THE PROPERTY OF GENERAL MOTORS CORPORATION. NO RIGHTS ARE GRANTED TO USE THIS DRAWING FOR ANY PURPOSE OTHER THAN THE FURNISHING OF SERVICES AND SUPPLIES TO GENERAL MOTORS CORPORATION.
2. PARTS AS DELIVERED TO ASSEMBLY SHALL BE CLEAN AND FREE OF DEBRIS, RESIDUAL PROCESSING MATERIAL, AND CORROSION PRODUCTS ADVERSELY AFFECTING FUNCTION OR APPEARANCE.
3. MATERIAL: SEE PART MATH FILE DCS LOG.
4. NO FLASH OR BURRS PERMITTED.
5. NO SHARP EDGES ALLOWED WHICH AFFECT SAFE HANDLING, ASSEMBLEABILITY, PERFORMANCE, AND/OR DURABILITY.

BREAK ALL SHARP EDGES, 0.5 MM MAX, UNLESS OTHERWISE SPECIFIED.
6. GM DE MUST APPROVE EJECTOR PIN DEPRESSIONS, CARRIER TRIM CUT-OUTS, OR OTHER PROCESSING PART EFFECTS, IF NEEDED FOR MANUFACTURE.
7. RECYCLEABILITY REQUIRED PER GMW_____
8. ELECTRICAL TEST PER ____TBD____ (SEE CTS).
9. PART MARKING/LABEL

ASSURE LABEL PRESENCE, ORIENTATION, LEGIBILITY, ACCURACY AND ADHESIVE COMPLETE ADHERENCE.

AQC 1

AQC 2

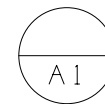
PICTORIAL REPRESENTATION ONLY, FOR DIMENSIONAL MODEL SEE MATH DATA.
SEE MATH MODEL FOR MATERIAL SPECIFICATIONS AND ADDITIONAL PERFORMANCE REQUIREMENTS.

ALL FEATURES CONTROLLED BY GEOMETRIC TOLERANCES OF PROFILE, LOCATION AND/OR ORIENTATION ARE BASIC AND MAY BE QUERIED FROM THE MATH MODEL UNLESS SUPERCEDED BY A TOLERANCE DIMENSION OF DEFINED AS REFERENCE.

ALL DISPLAY INSTANCES IDENTIFIED WITH THE "< >" SYMBOL ARE EMBEDDED WITHIN THE DIGITAL MODEL

UNLESS OTHERWISE SPECIFIED:

ALL GEOMETRIC TOLERANCES WILL APPLY WITH PART RESTRAINED ON DATUM FEATURES REFERENCED IN EACH INDIVIDUAL FEATURE CONTROL FRAME



SIZE, SHAPE, AND ORIENTATION OF DATUM TARGETS SHALL BE LEFT TO THE DISCRETION OF THE APPROPRIATE CORPORATE GAGE PLANNING DEPARTMENT.

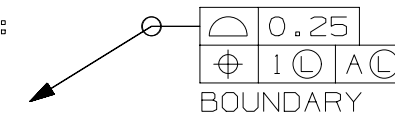
ALL GENERAL SURFACES: $\boxed{\text{A} \mid 1 \mid \text{A} \text{ (M)}} \text{ (M)}$

ALL TRIM EDGES: $\boxed{\text{A} \mid 1 \mid \text{A} \text{ (M)}} \text{ (M)}$

ALL CIRCULAR/CYLINDRICAL/SPHERICAL FEATURES OF SIZE: $\boxed{\text{M} \mid \text{M} \mid 1 \text{ (M)} \mid \text{A} \text{ (M)}} \text{ (M)}$

ALL NON-CIRCULAR FEATURES OF SIZE: $\boxed{\text{M} \mid 1 \text{ (M)} \mid \text{A} \text{ (M)}} \text{ (M)}$
BOUNDARY

ALL IRREGULAR CLOSED FEATURES:



ALL FEATURES OF SIZE, SIZE TOLERANCE: +0.03
-0.25



PAGE TITLE
GENERAL NOTES

DRAWING NUMBER
22924539

DWG STATUS		
ST	REV	PD1
X	001	

PAGE NUMBER
4 of 20

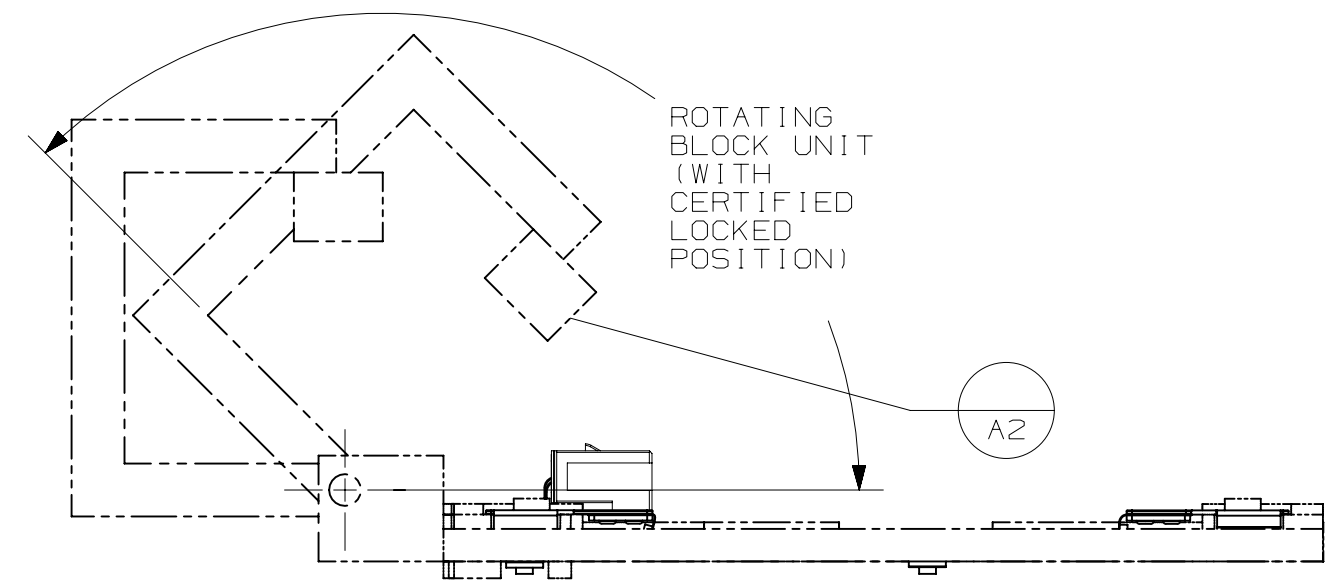
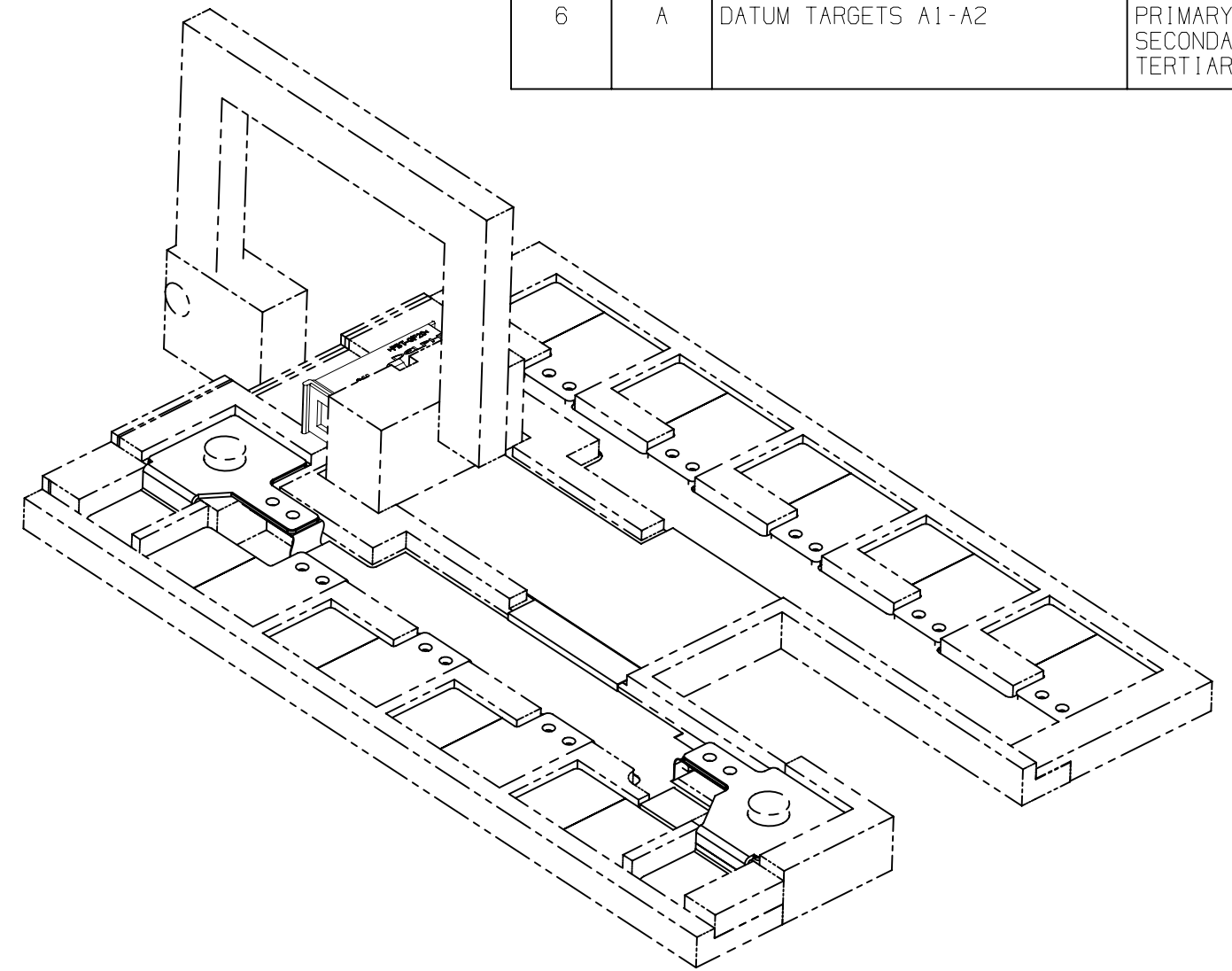
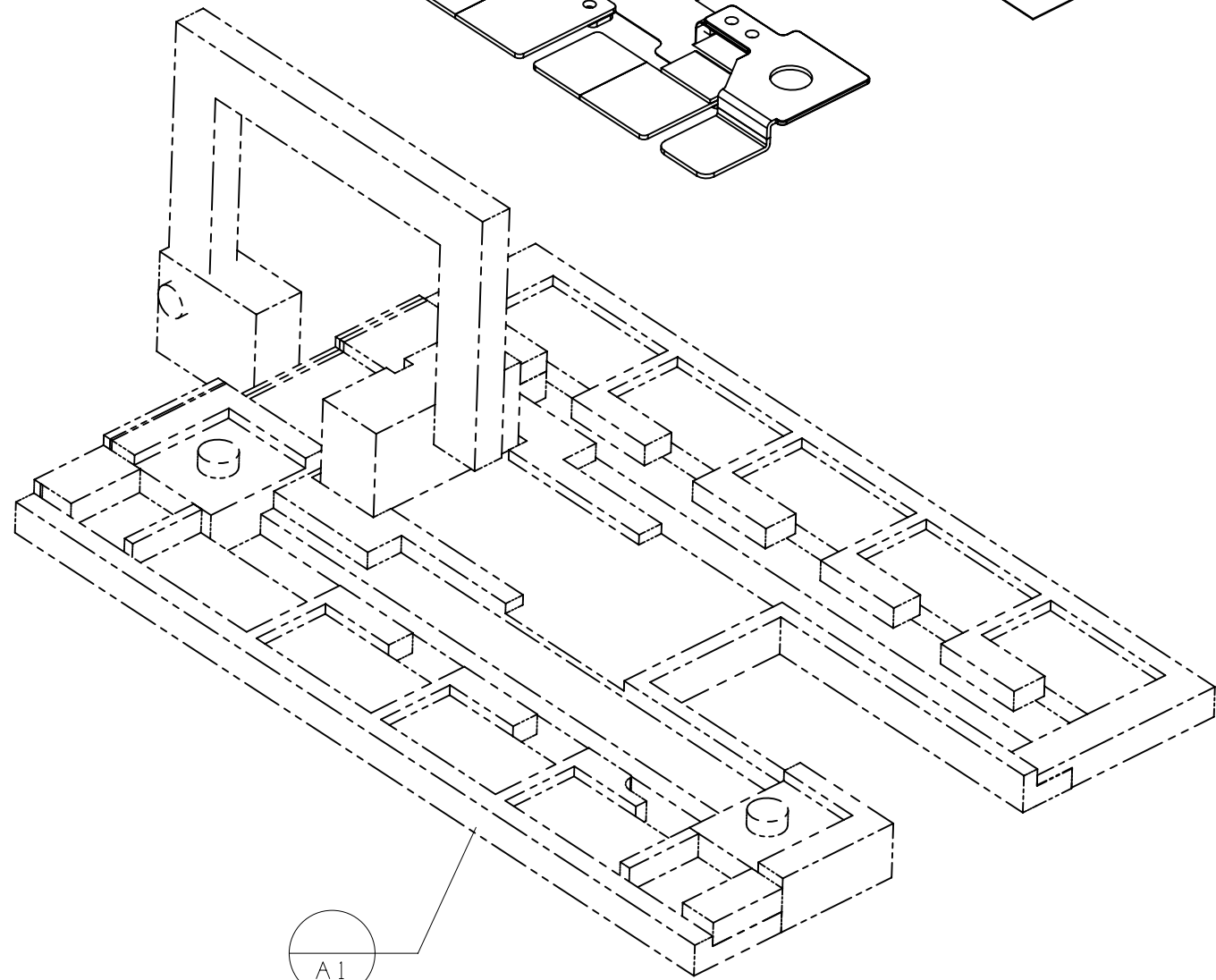
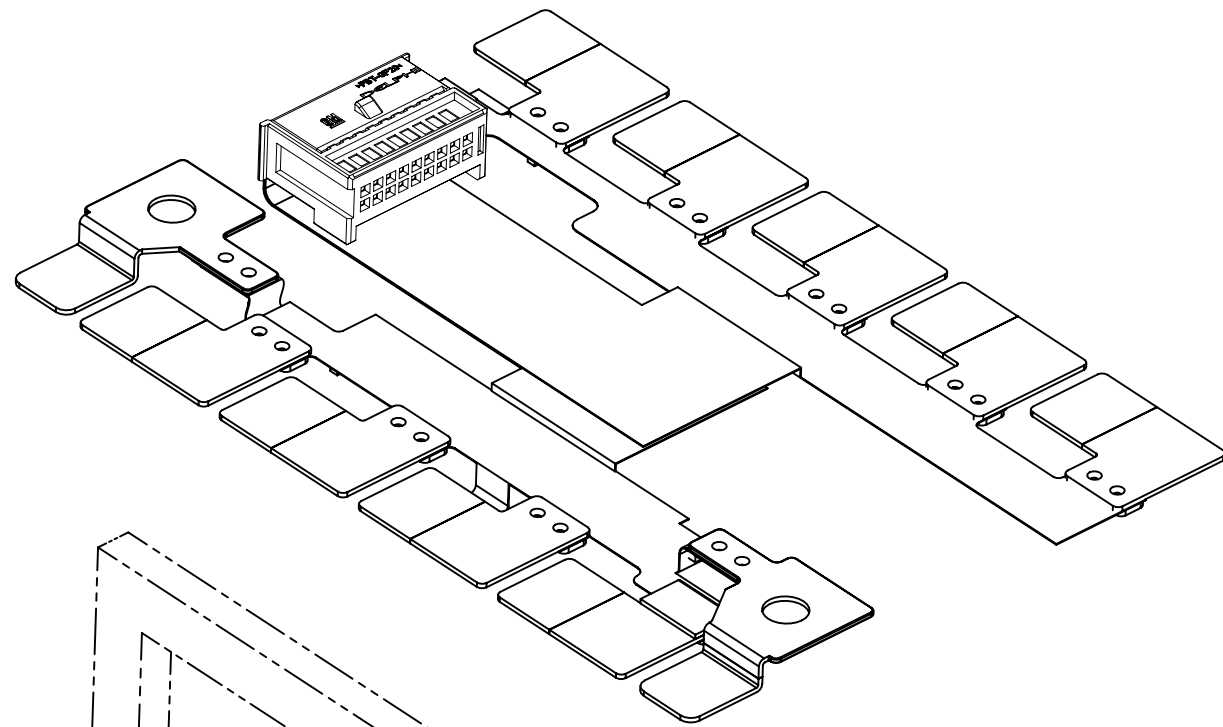
GM KCDS SHALL BE ADMINISTERED IN ACCORDANCE WITH THE LATEST VERSIONS OF GMW15049 AND KCDS TEMPLATES.

0	0	2	0	LAST NUMBER USED	KPC (KEY PRODUCT CHARACTERISTIC) PQC (PRODUCT QUALITY CHARACTERISTIC) AQC (ATTRIBUTE QUALITY CHARACTERISTIC) DR (DOCUMENTATION REQUIRED)			
0	0	2	0	TOTAL BY COLUMN				
<u>KPC #</u> KPC NO.	<u>PQC #</u> PQC NO.	<u>AQC #</u> AQC NO.	<u>DR #</u> DR NO.	CHARACTERISTIC	RATIONALE	ZONE	SH	PLCS
		1		ELECTRICAL TEST	PERFORMANCE		4	1
		2		LABEL PROPERTIES	TRACEABILITY		4	1



DATUMS

PAGE	DATUM	DESCRIPTION	DIRECTION
6	A	DATUM TARGETS A1-A2	PRIMARY SECONDARY TERTIARY

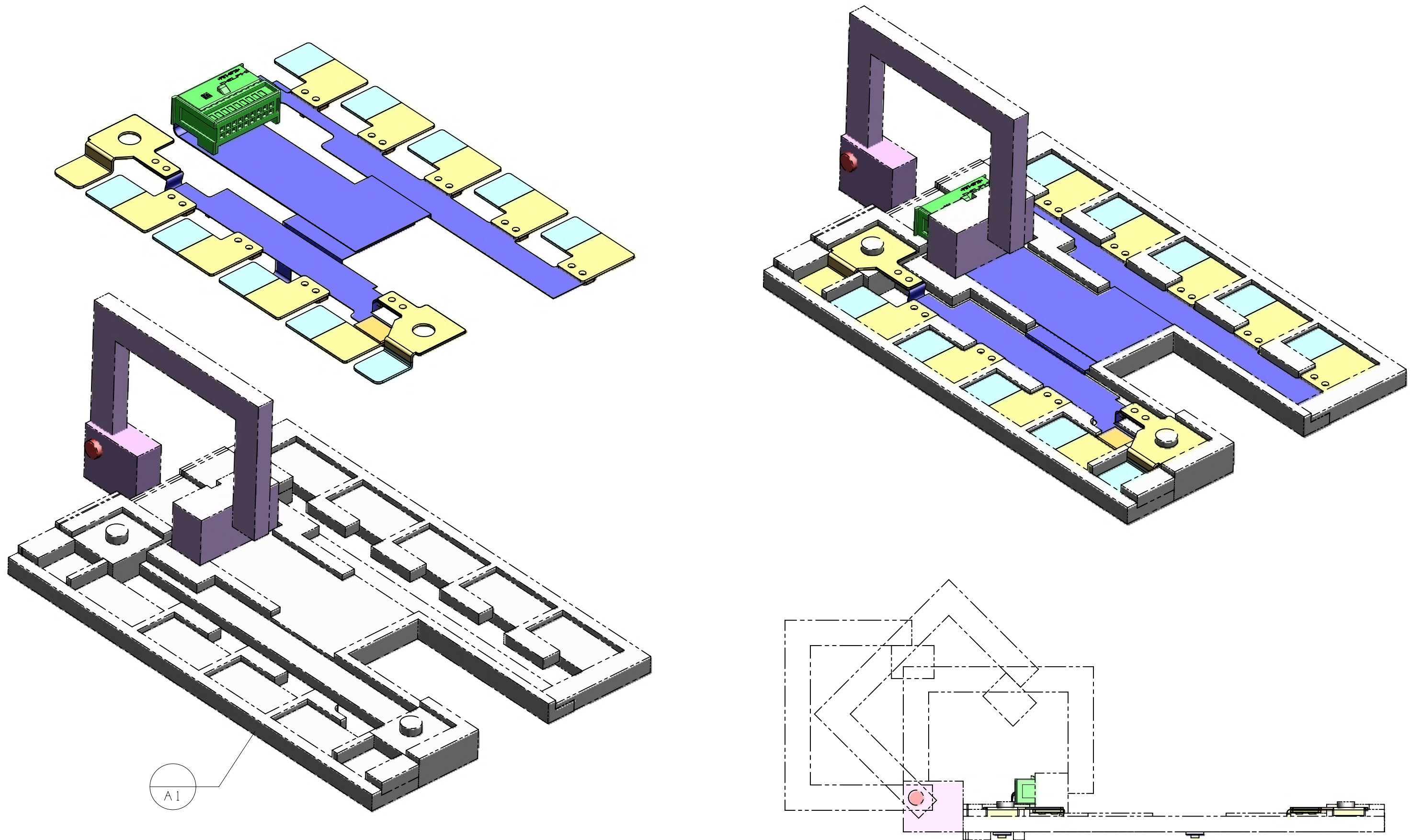


PAGE TITLE
DATUM LOCATIONS/BLOCK


DRAWING NUMBER
22924539

DWG STATUS		
ST	REV	PD1
X	001	

PAGE NUMBER
6 of 20

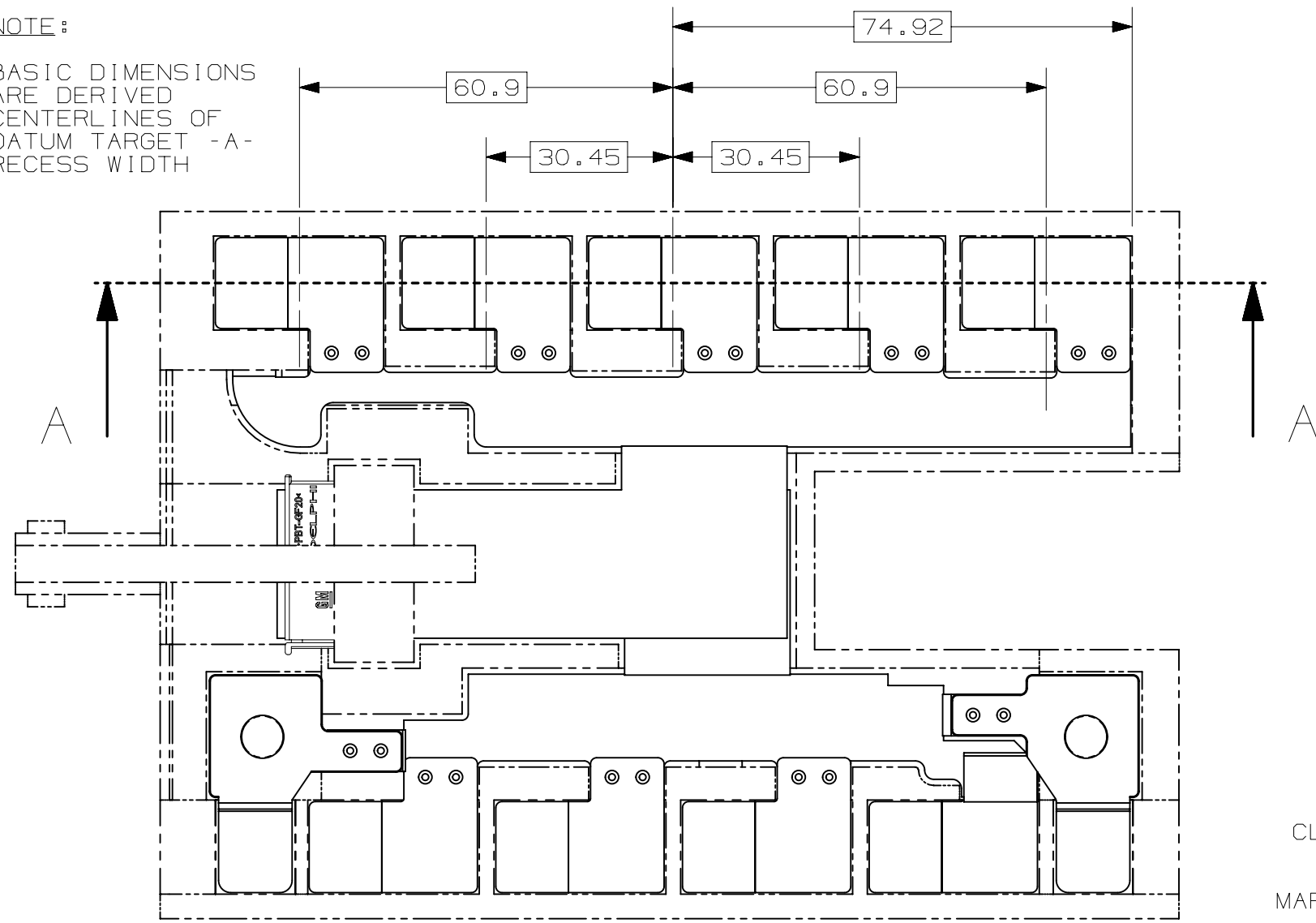


A1

	PAGE TITLE		DRAWING NUMBER		DWG STATUS			PAGE NUMBER		
	DATUM LOCATIONS (CONTINUED)		22924539		ST	REV	PD1	7	of	20
					X	001				

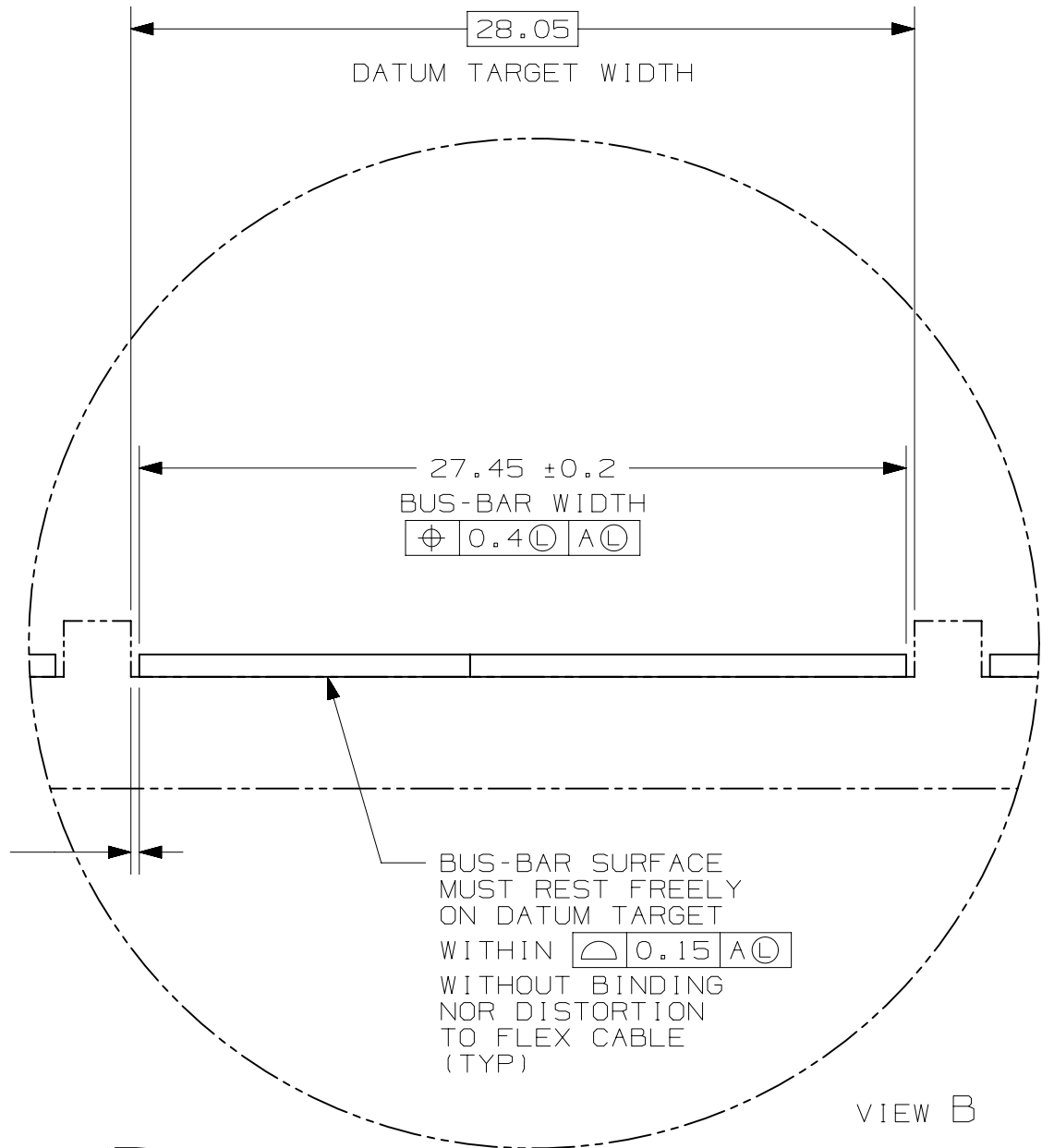
NOTE :

BASIC DIMENSIONS
ARE DERIVED
CENTERLINES OF
DATUM TARGET -A-
RECESS WIDTH

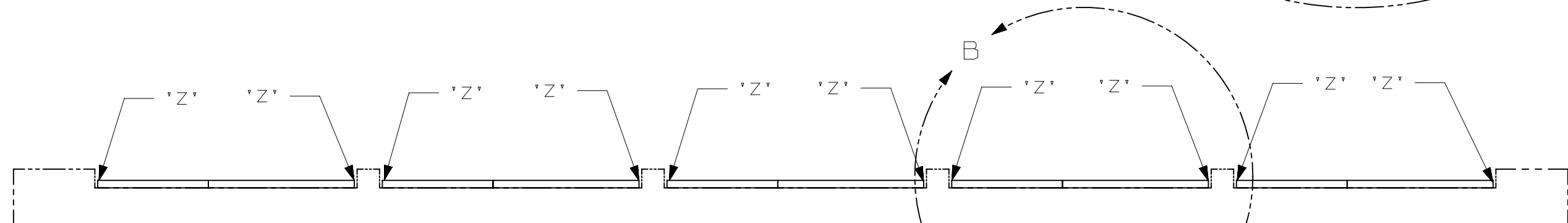


TOP VIEW

(0.3)
NOMINAL
DESIGN
CLEARANCE
10X
MARKED 'Z'



VIEW B



SECTION A - A

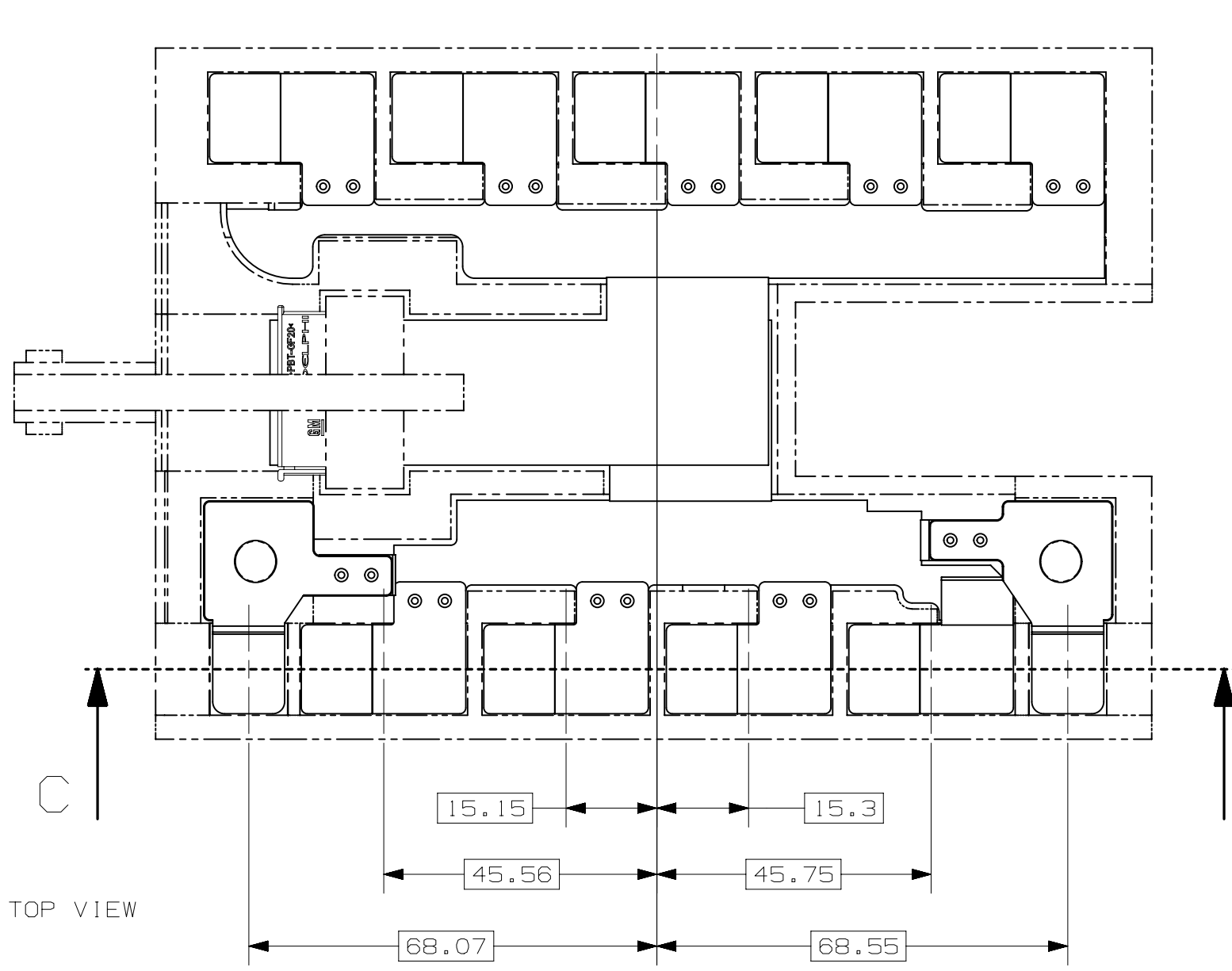


PAGE TITLE
FEATURE CONTROL VIEWS

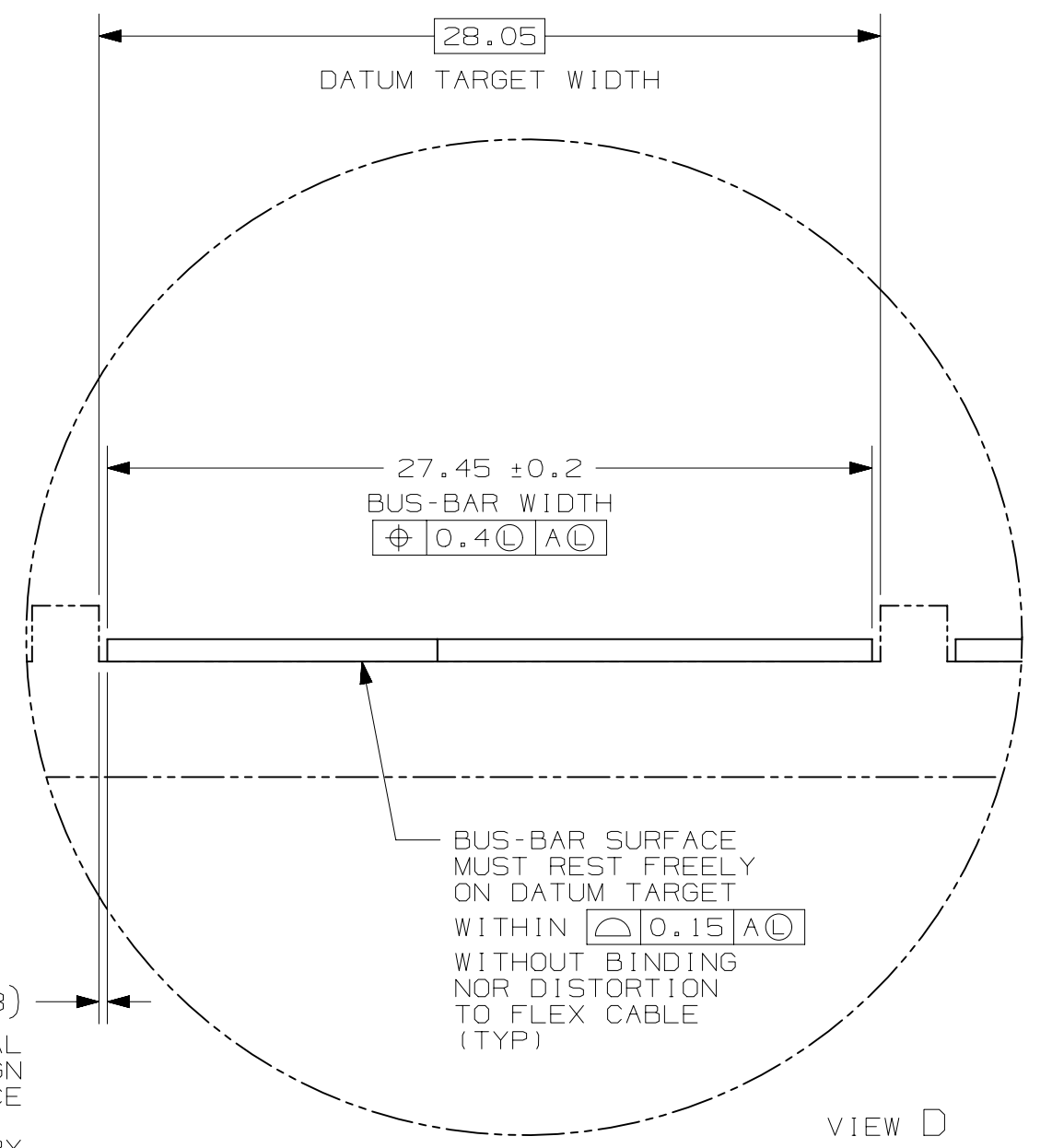
DRAWING NUMBER
22924539

DWG STATUS		
ST	REV	PD1
X	001	

PAGE NUMBER
8 of 20



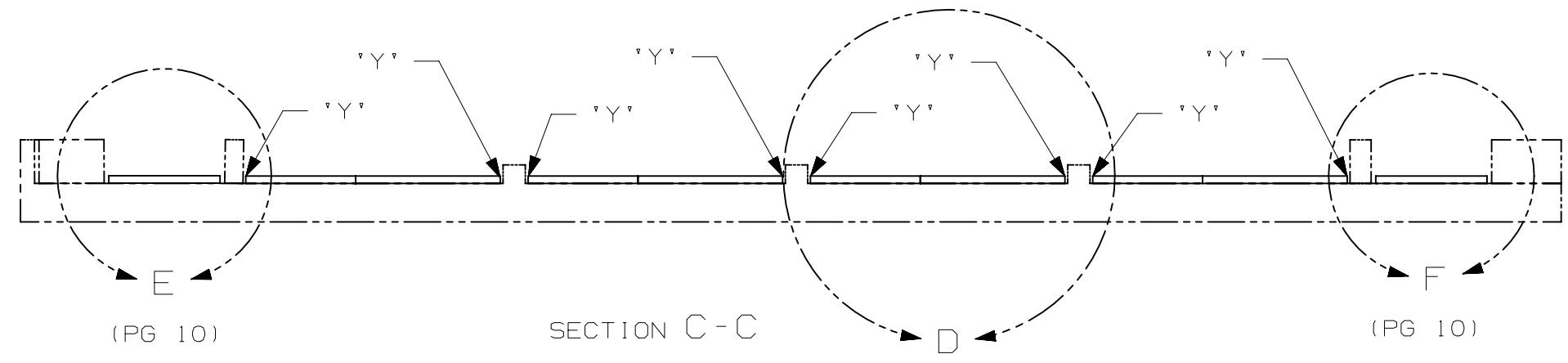
TOP VIEW



(0.3)
NOMINAL DESIGN CLEARANCE

8X
MARKED 'Y'

NOTE:
BASIC DIMENSIONS ARE DERIVED CENTERLINES OF DATUM TARGET -A- RECESS WIDTH



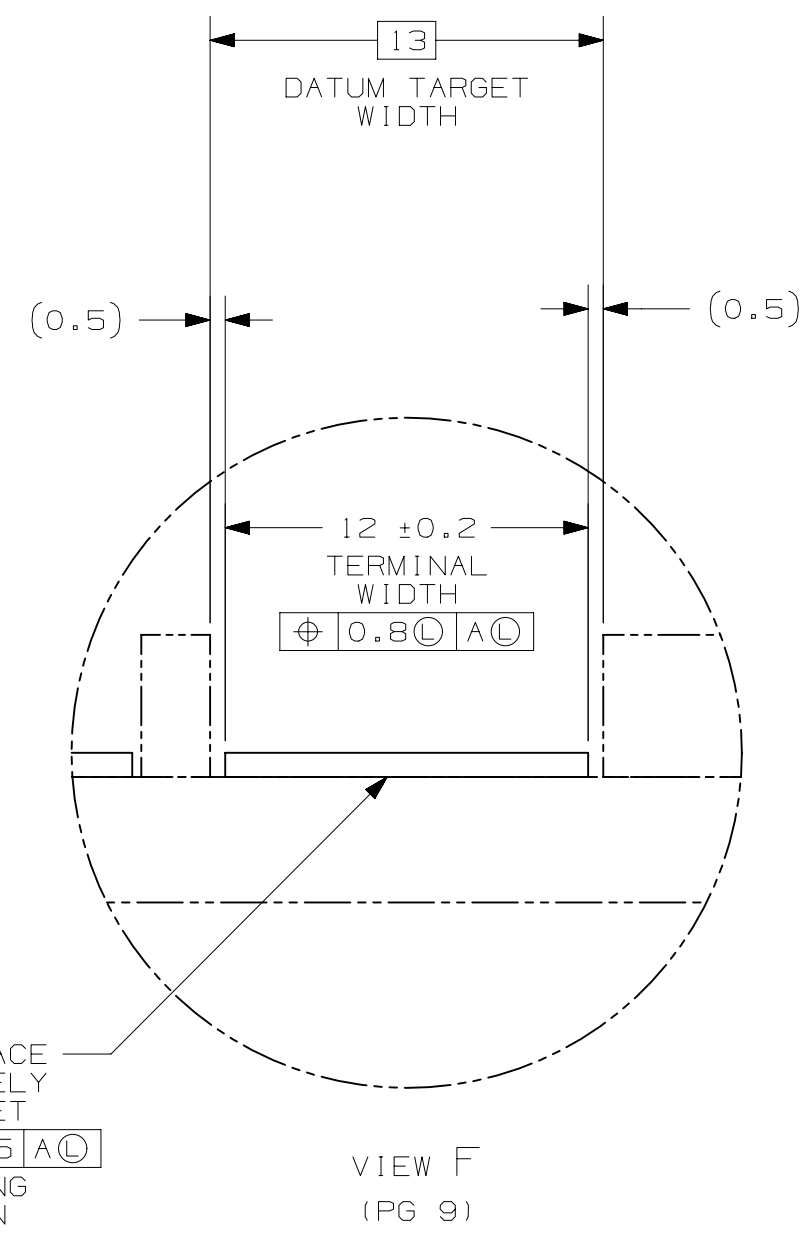
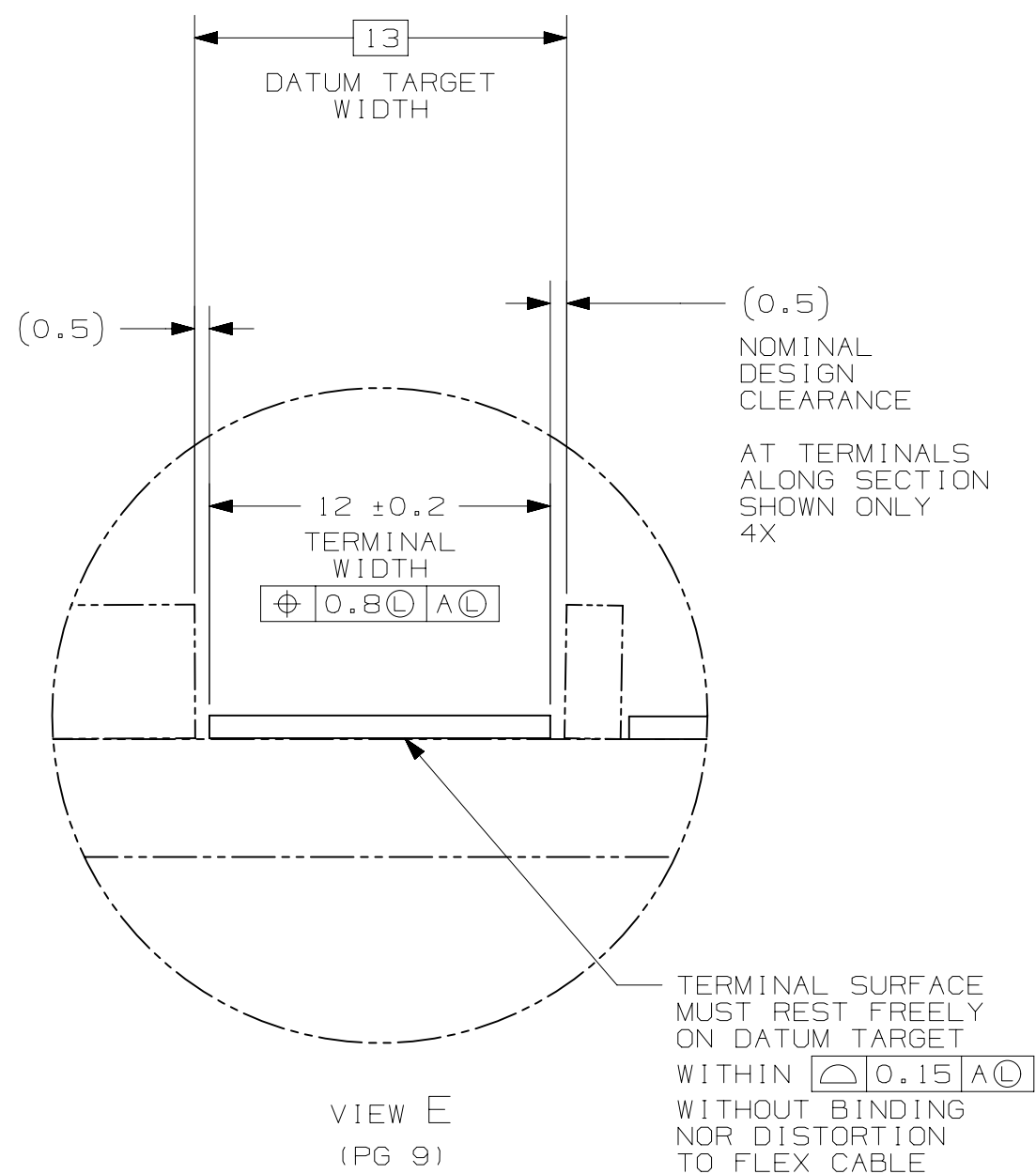
(PG 10)

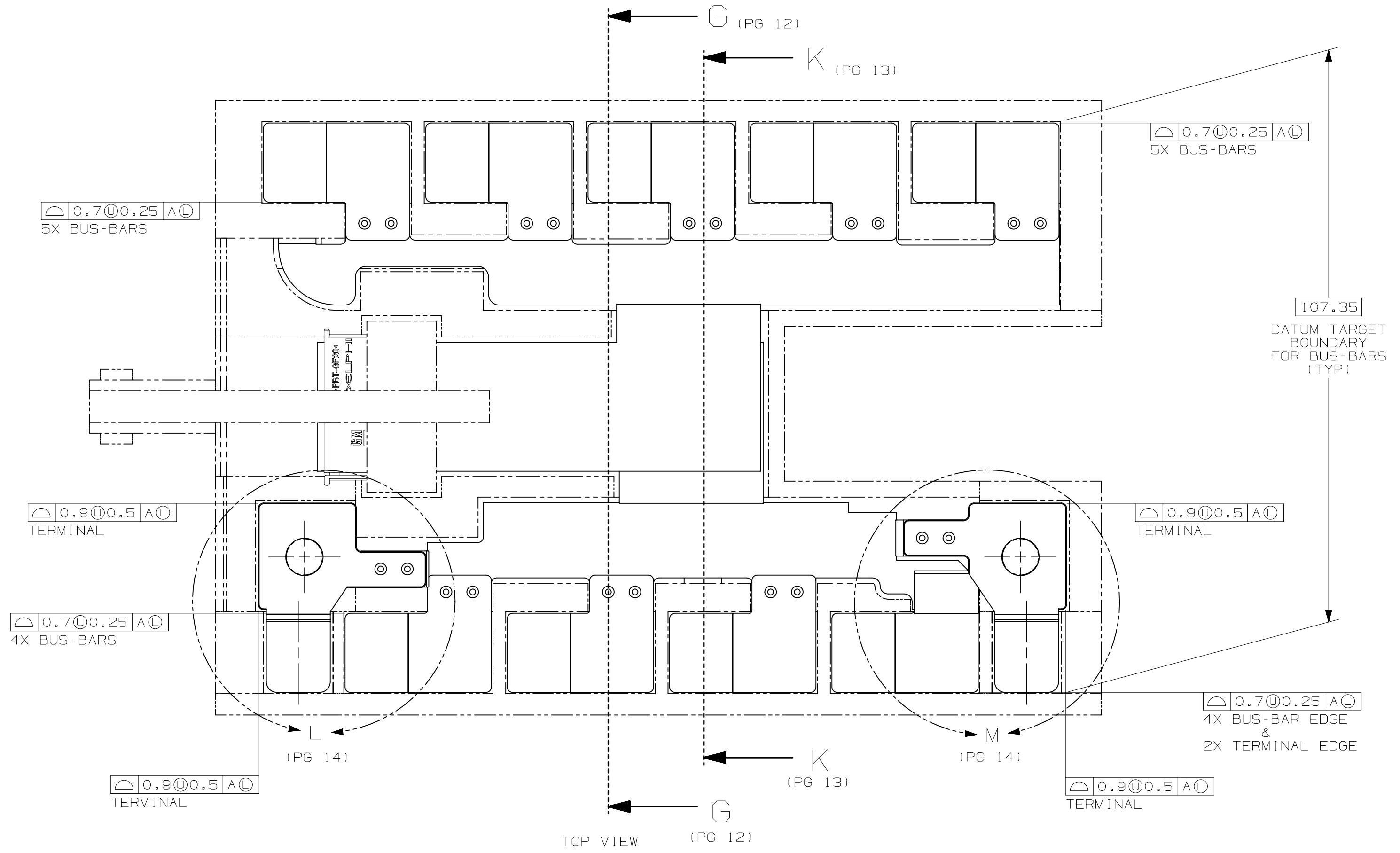
SECTION C-C

D

(PG 10)

	PAGE TITLE	DRAWING NUMBER	DWG STATUS			PAGE NUMBER	
	FEATURE CONTROL VIEWS	22924539	ST	REV	PD1	9	of 20
			X	001			



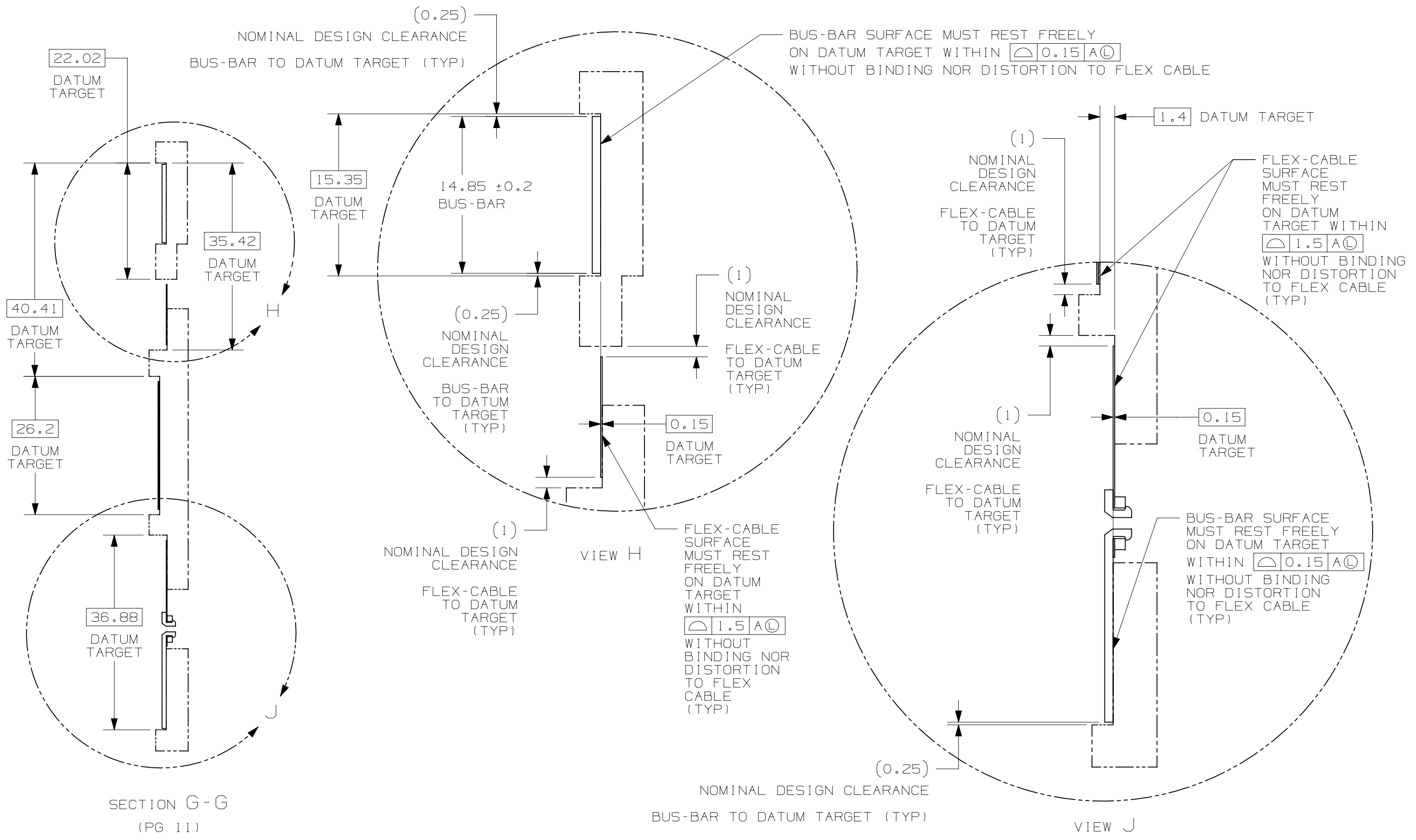


PAGE TITLE
FEATURE CONTROL VIEWS

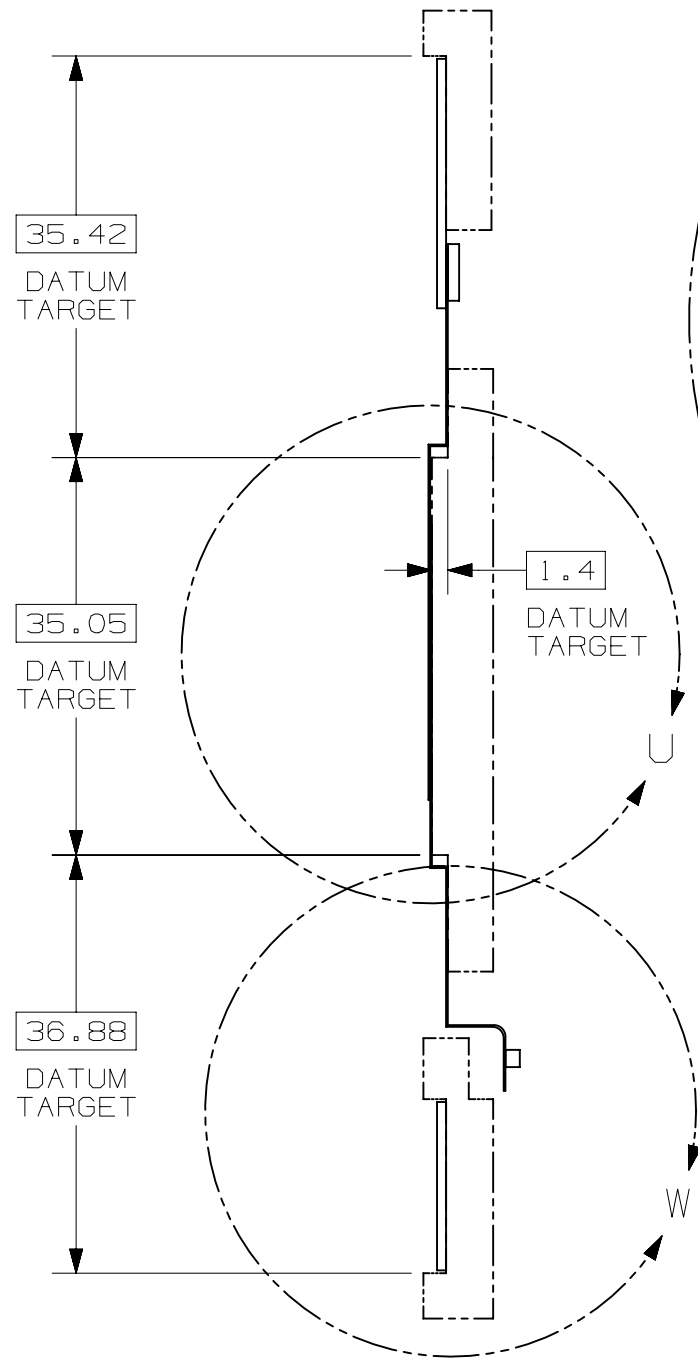
DRAWING NUMBER
22924539

DWG STATUS		
ST	REV	PD1
X	001	

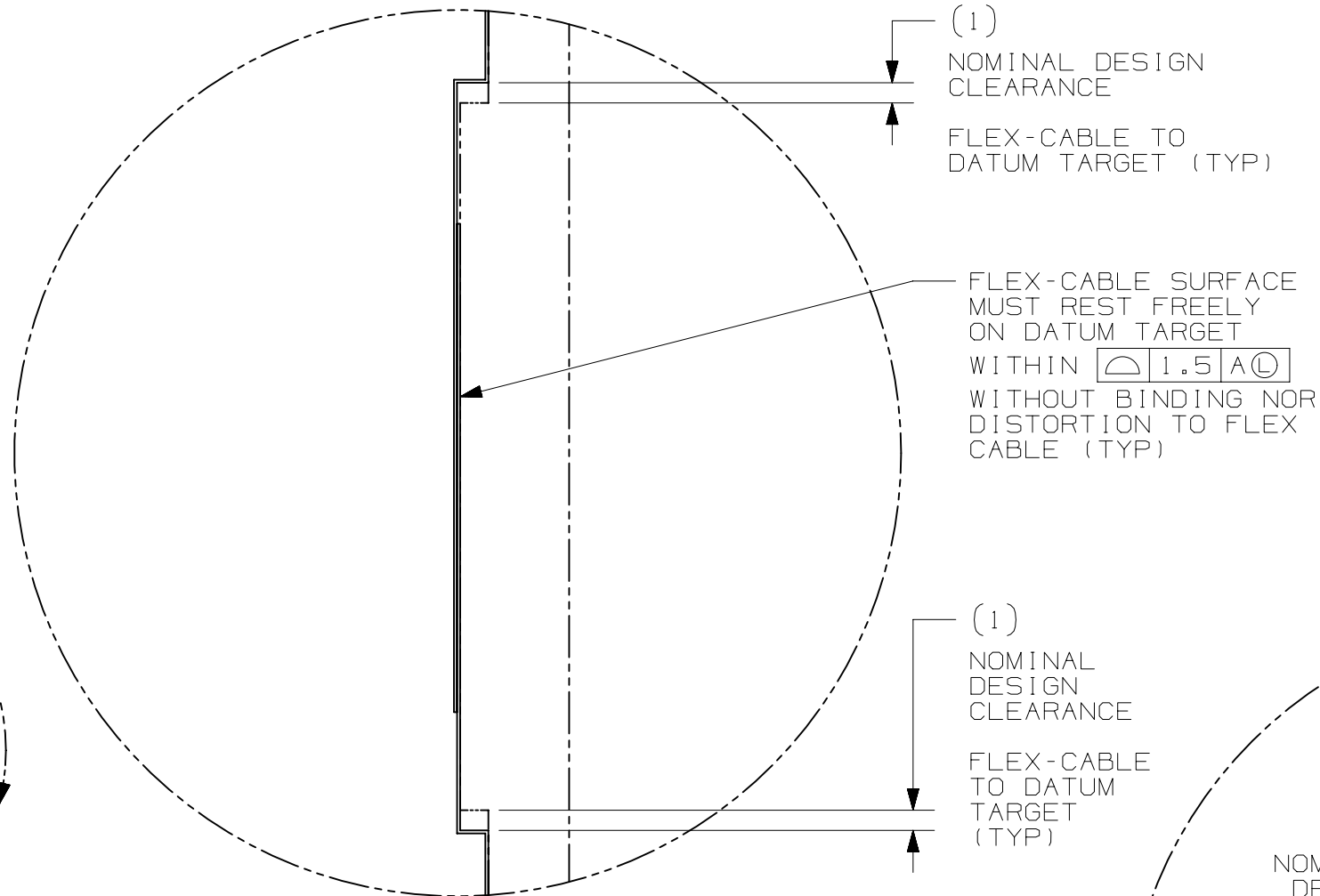
PAGE NUMBER
11 of 20



GM	PAGE TITLE	DRAWING NUMBER 22924539	DWG STATUS			PAGE NUMBER	
	FEATURE CONTROL VIEWS		ST	REV	PDI	12 of 20	
			X	001			



SECTION K-K

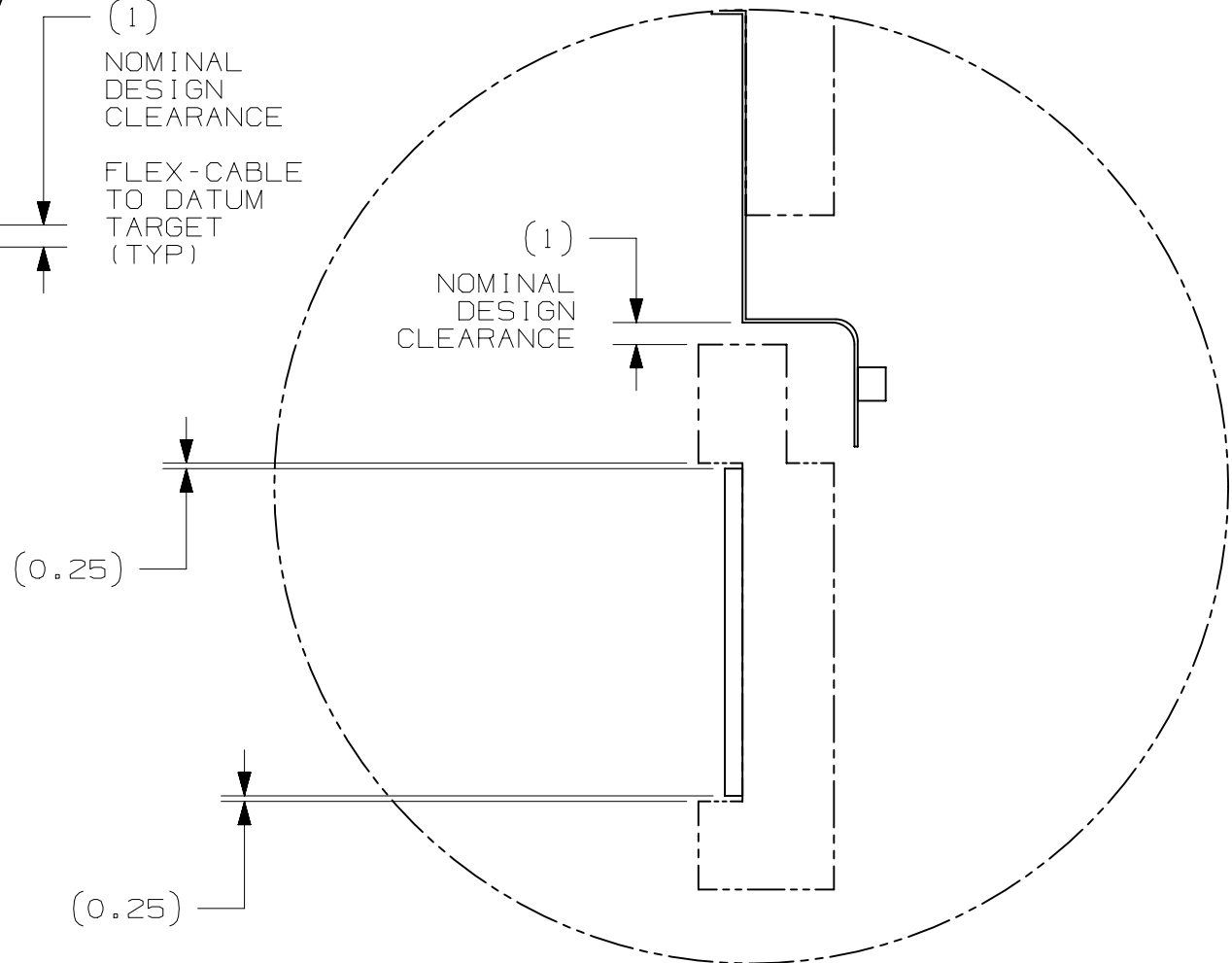


VIEW U

(1)
NOMINAL DESIGN CLEARANCE
FLEX-CABLE TO DATUM TARGET (TYP)

FLEX-CABLE SURFACE MUST REST FREELY ON DATUM TARGET WITHIN $\text{CIR} 1.5 A-M$ WITHOUT BINDING NOR DISTORTION TO FLEX CABLE (TYP)

(1)
NOMINAL DESIGN CLEARANCE
FLEX-CABLE TO DATUM TARGET (TYP)



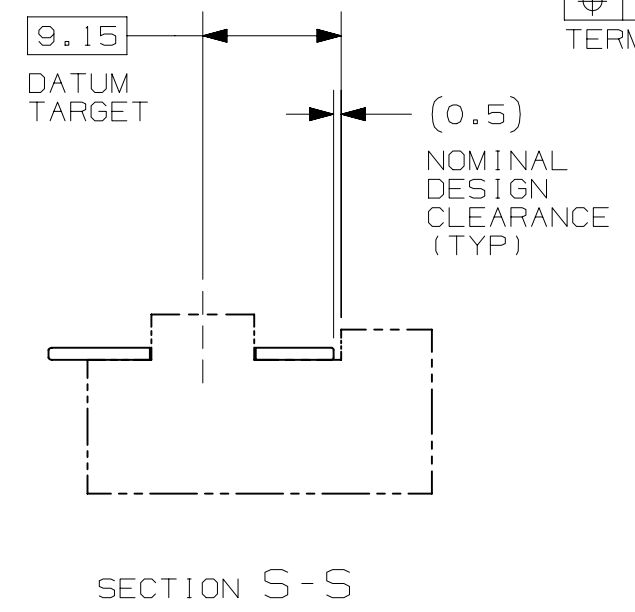
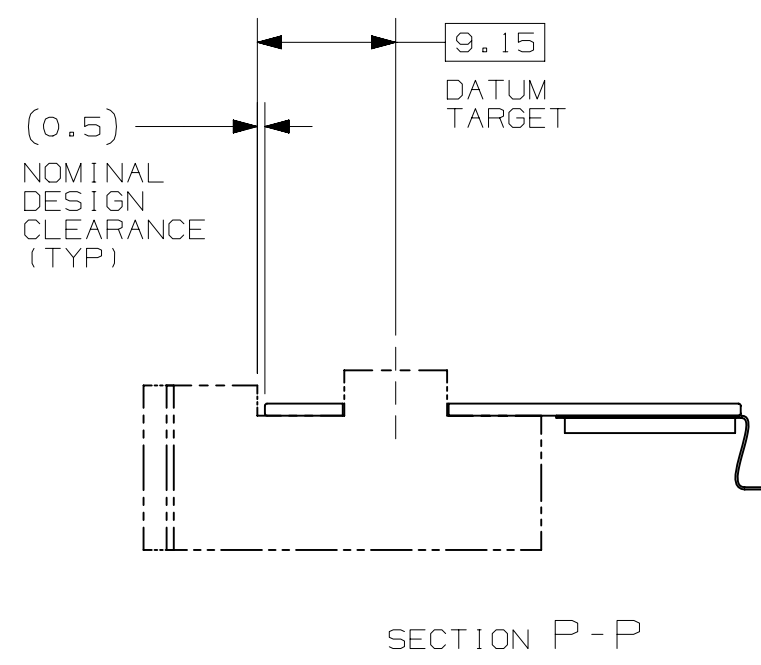
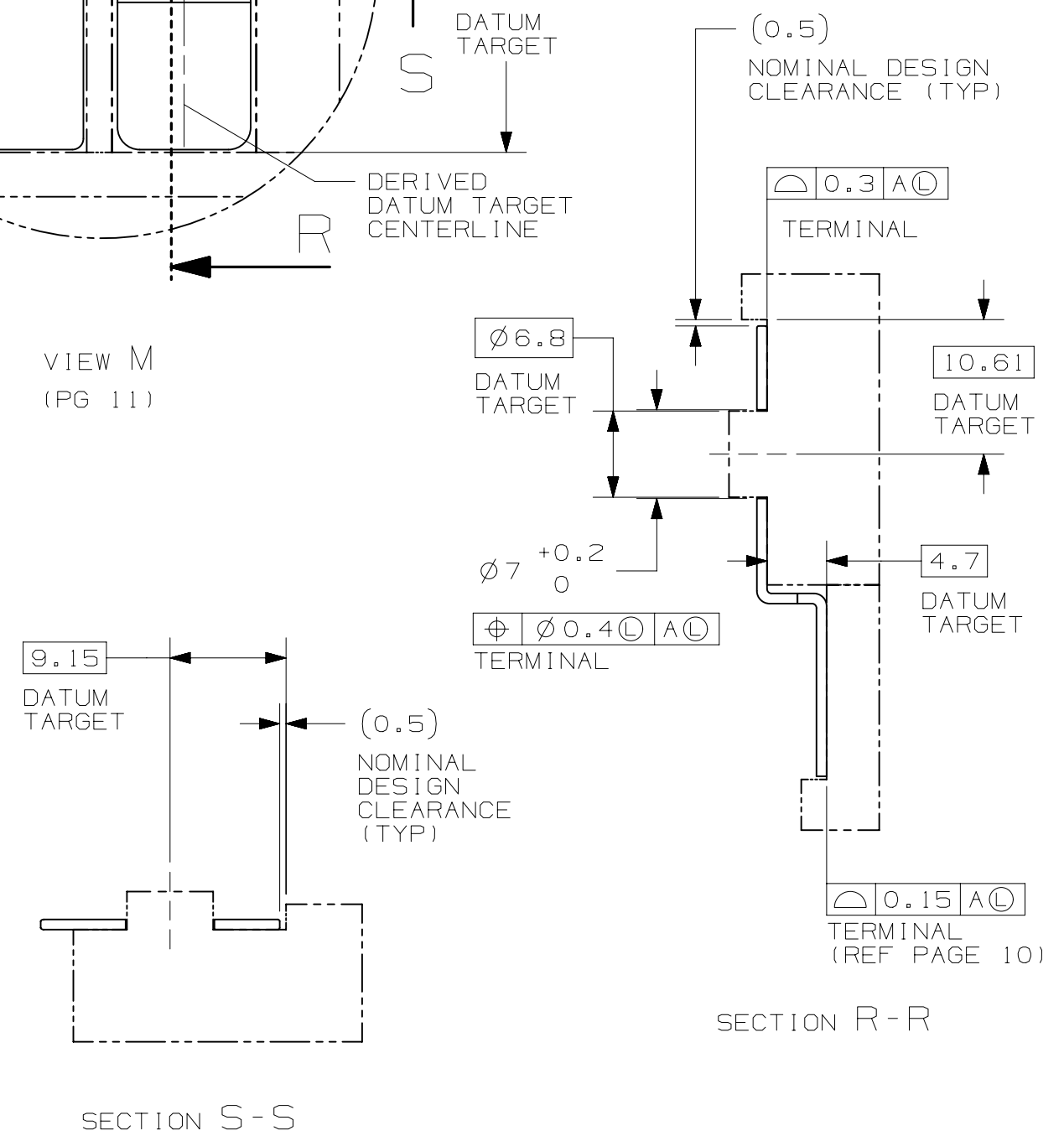
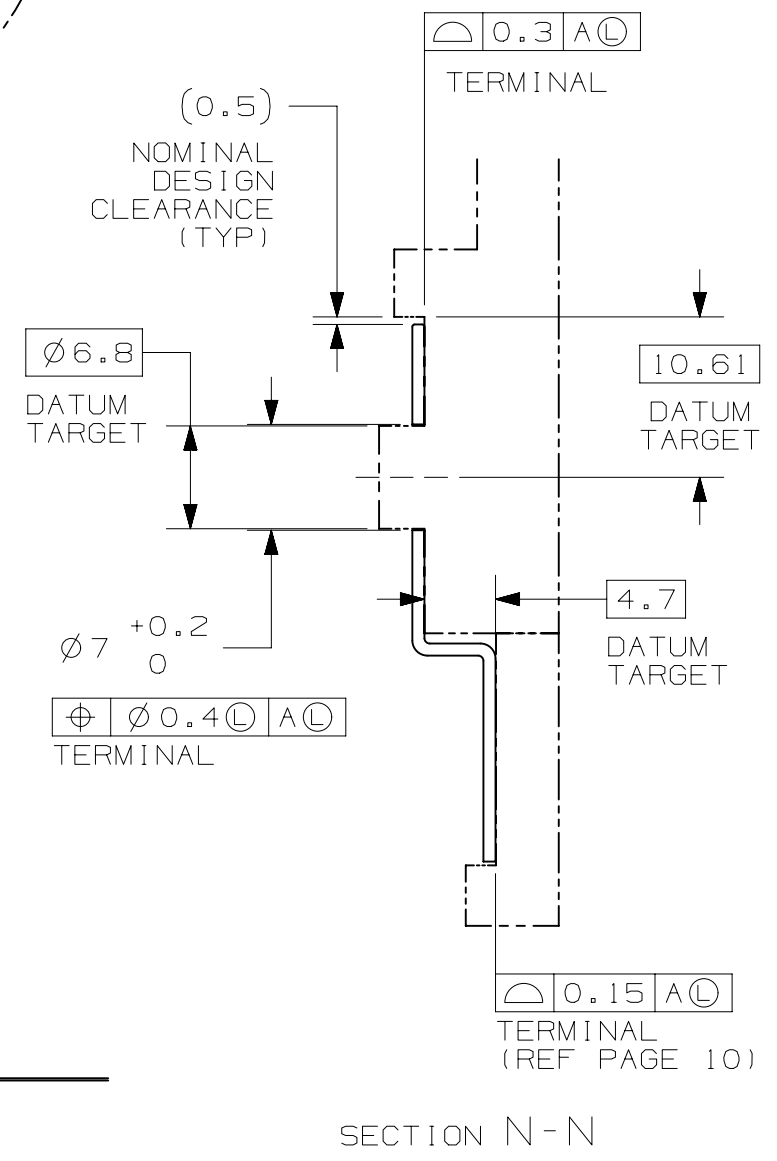
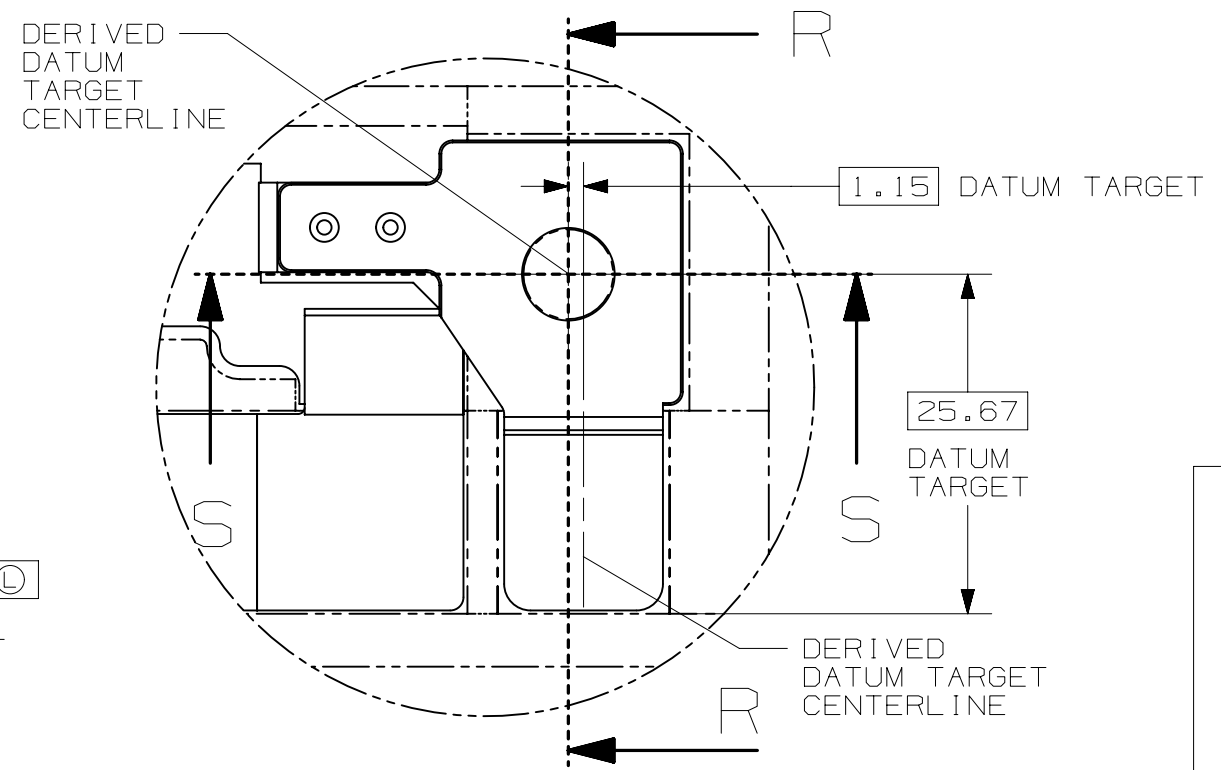
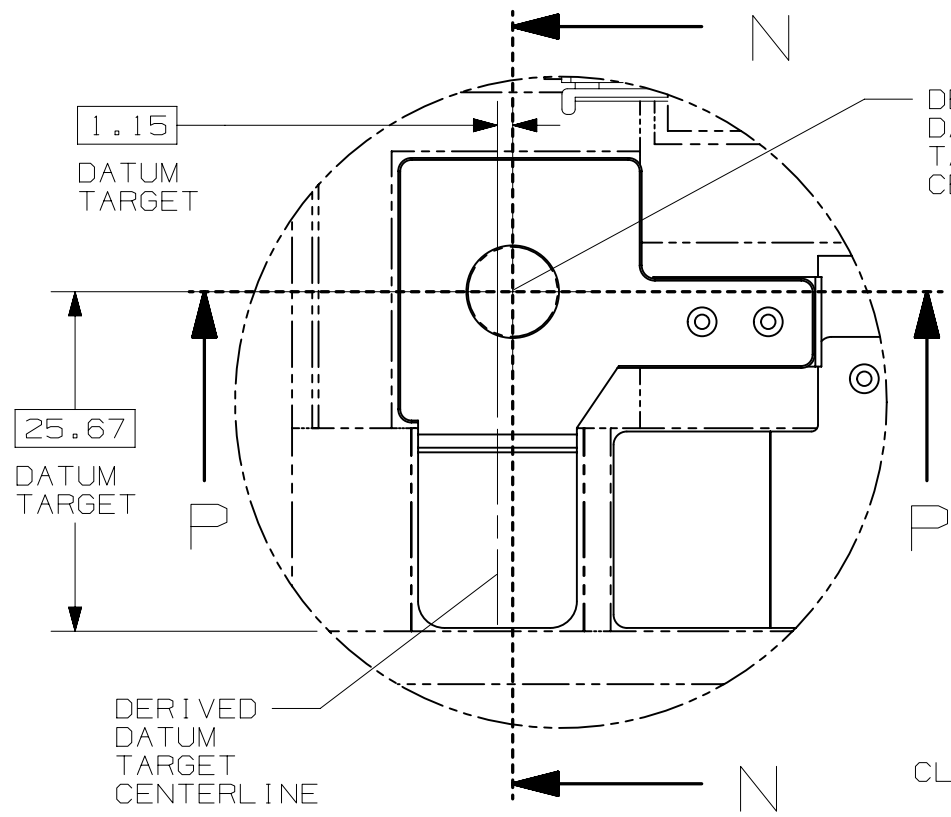
VIEW W

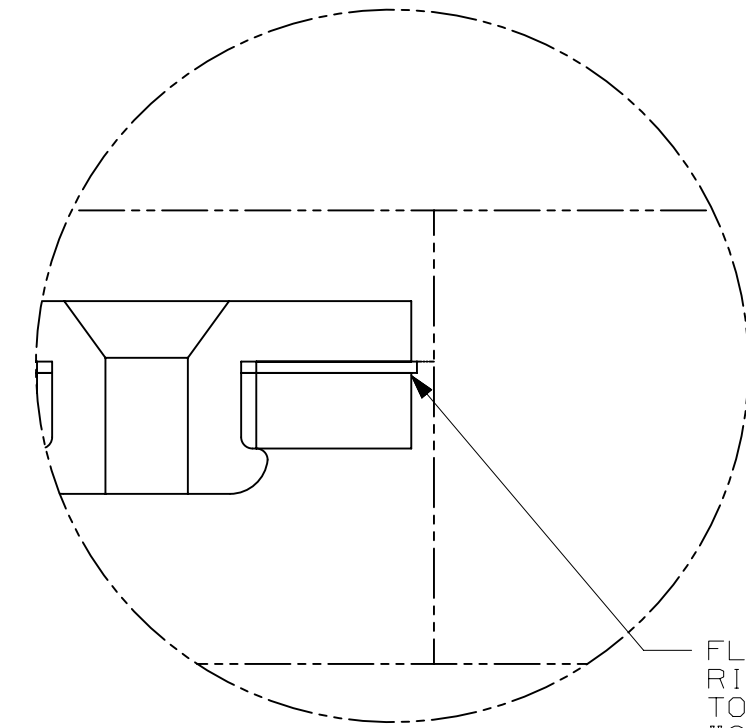
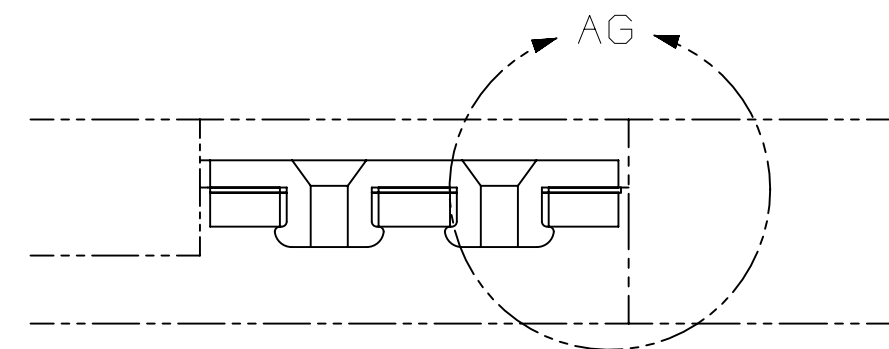
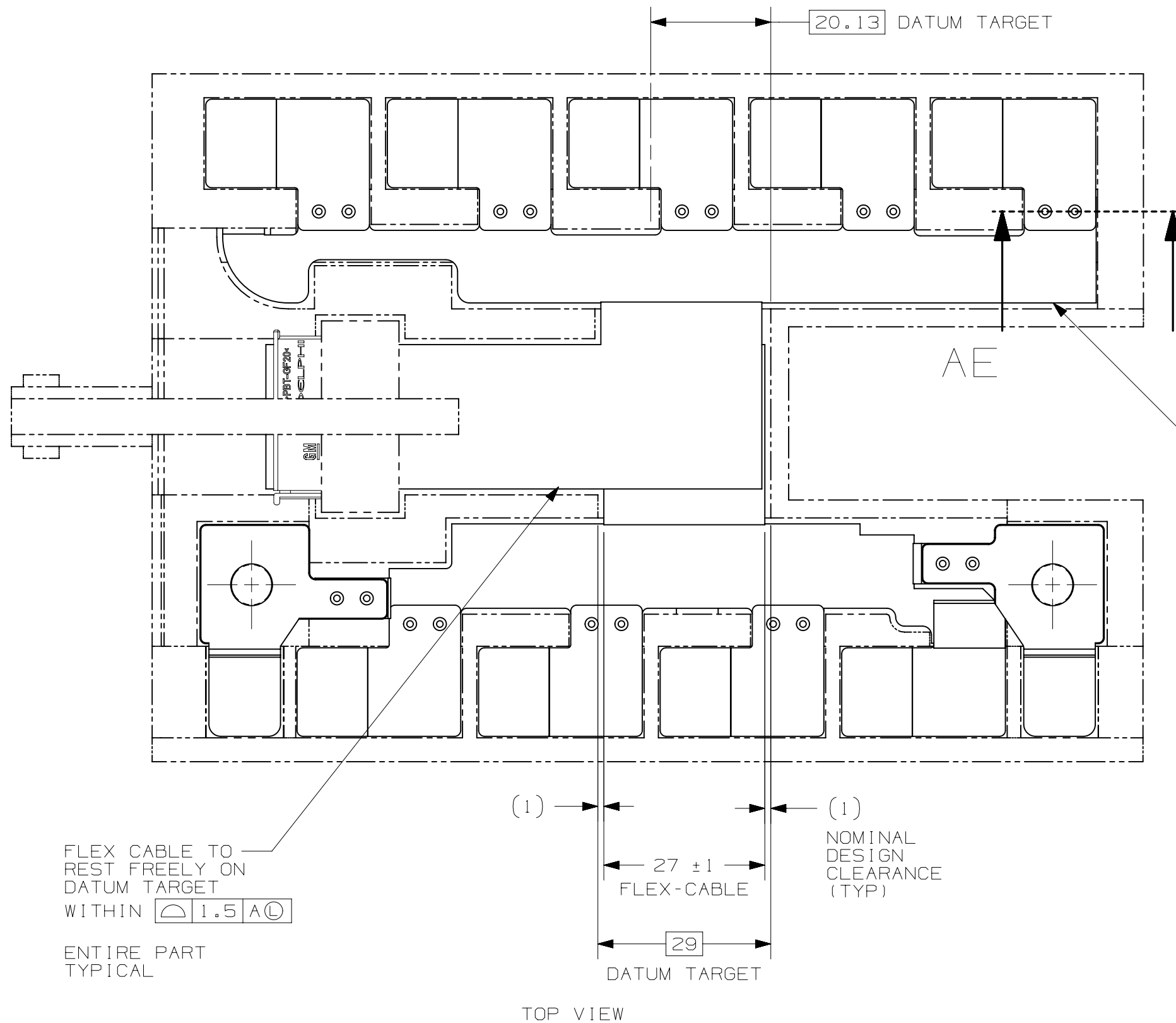
(1)
NOMINAL DESIGN CLEARANCE

(0.25)

(0.25)



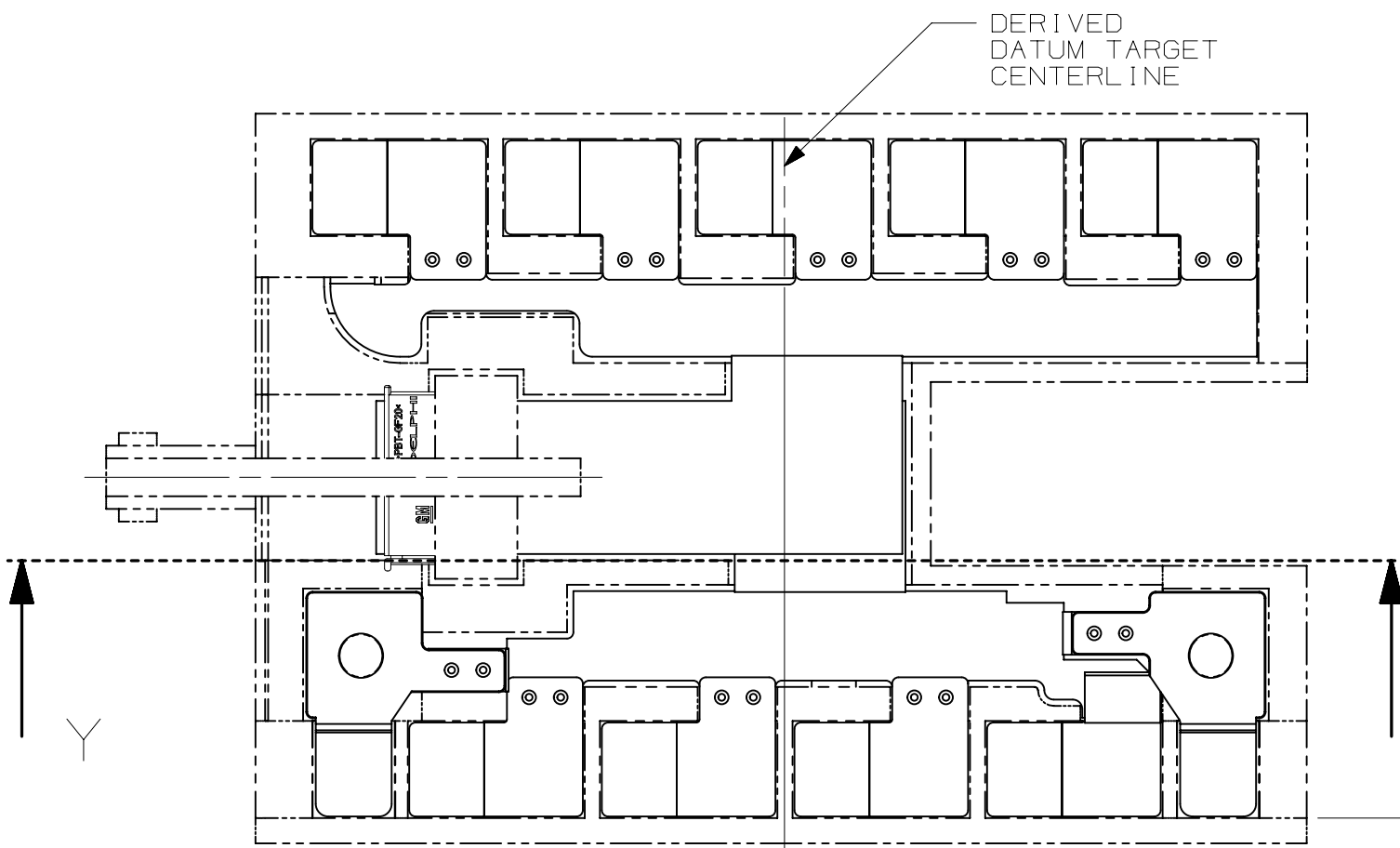




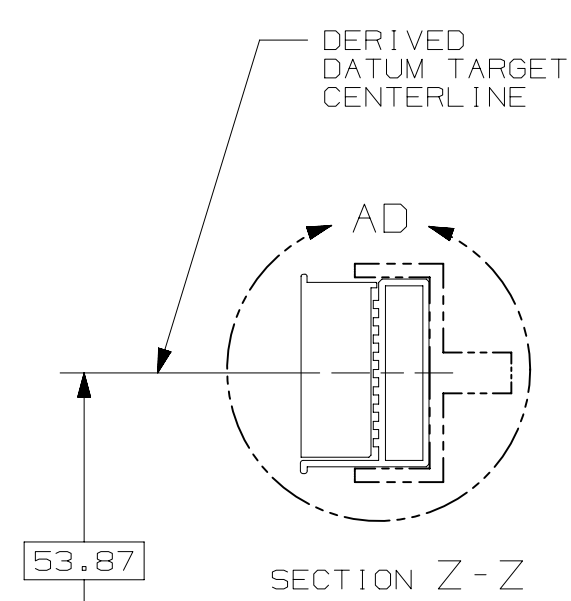
FLEX CABLE AND RIVET PLATES TO BE FROM "0.1 MAX PROJECTION-TO-RECESSED" TO CABLE AND TERMINAL EDGES

ALL LOCATIONS TYPICAL

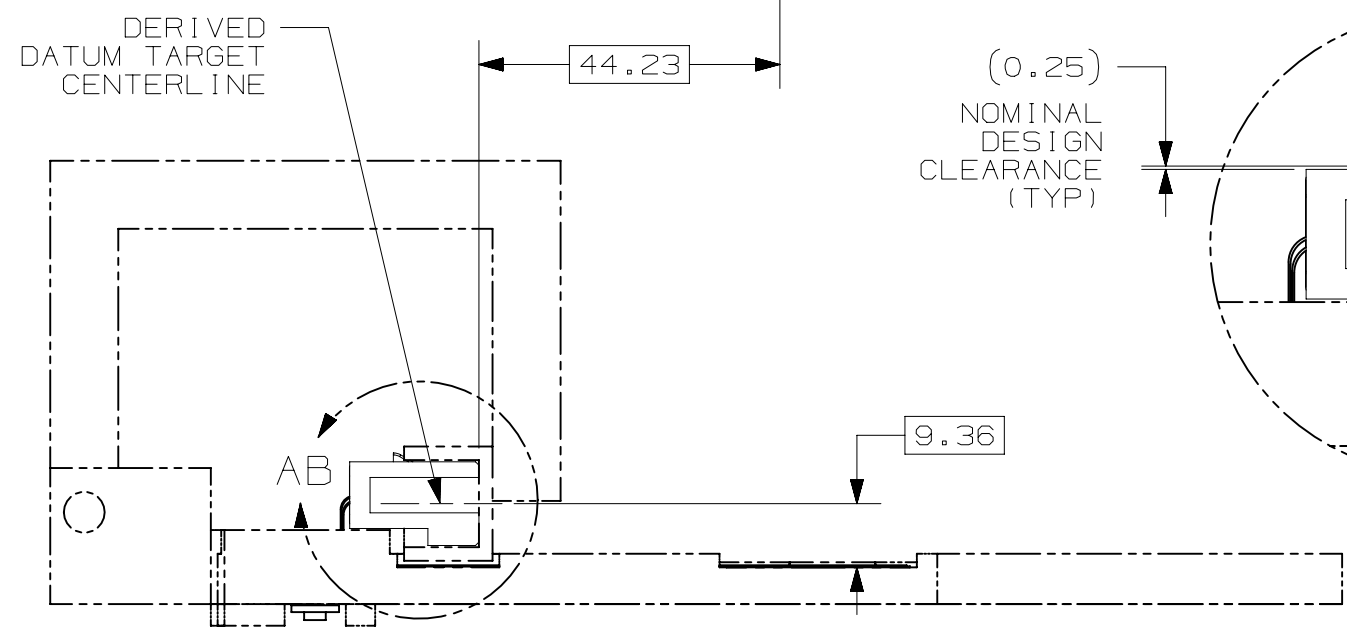
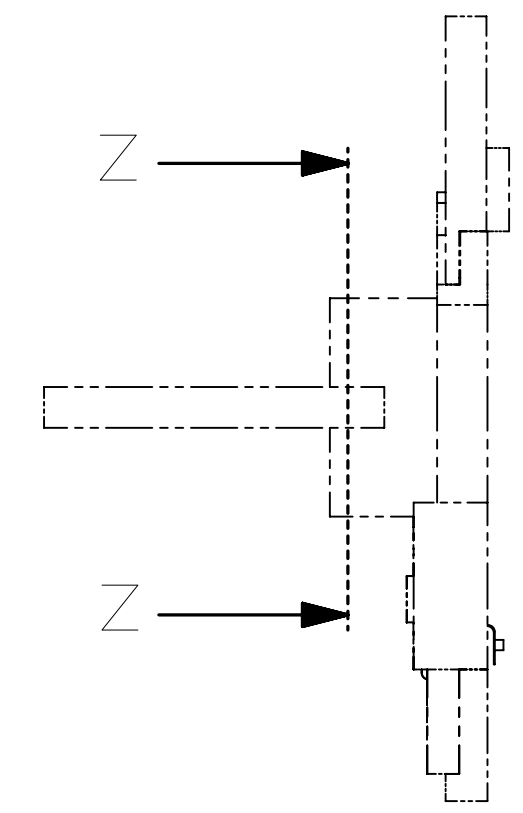
	PAGE TITLE	DRAWING NUMBER	DWG STATUS			PAGE NUMBER	
	FEATURE CONTROL VIEWS	22924539	ST	REV	PDI	15	of 20
			X	001			



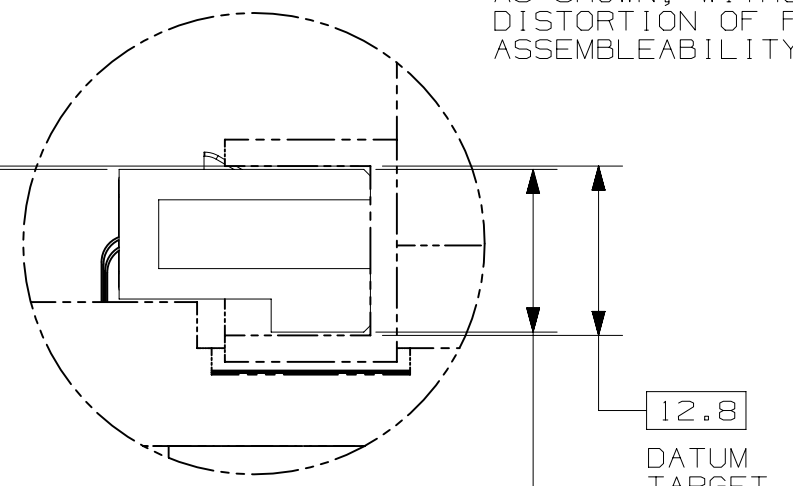
TOP VIEW



SECTION Z-Z



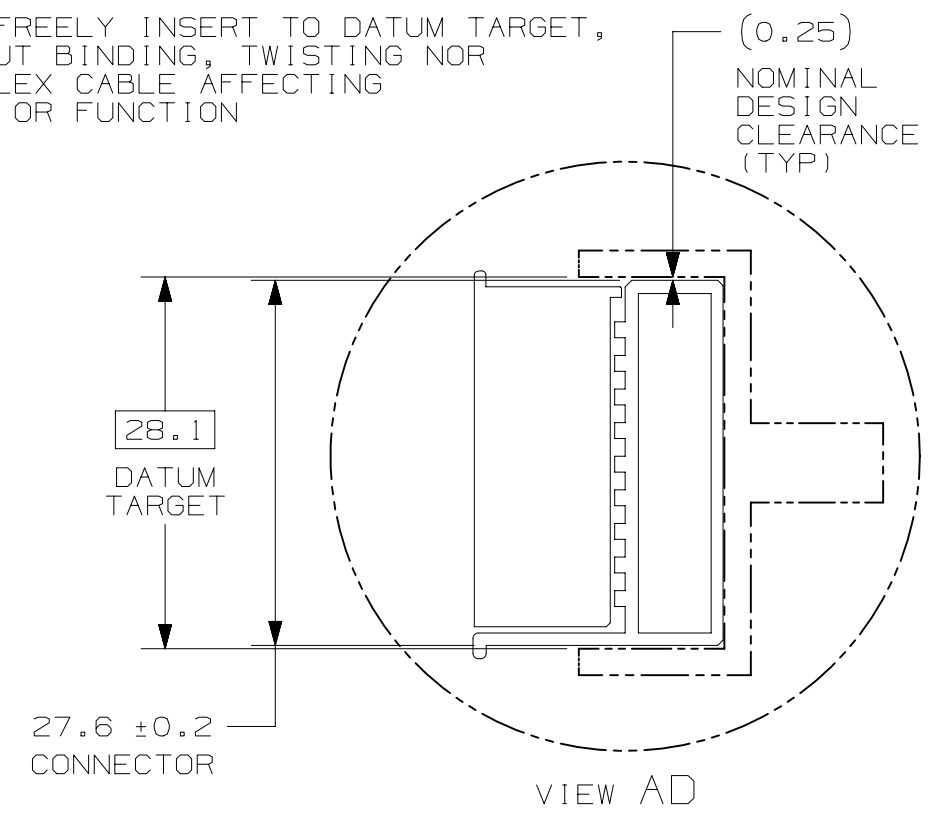
SECTION Y-Y



VIEW AB

NOTE :

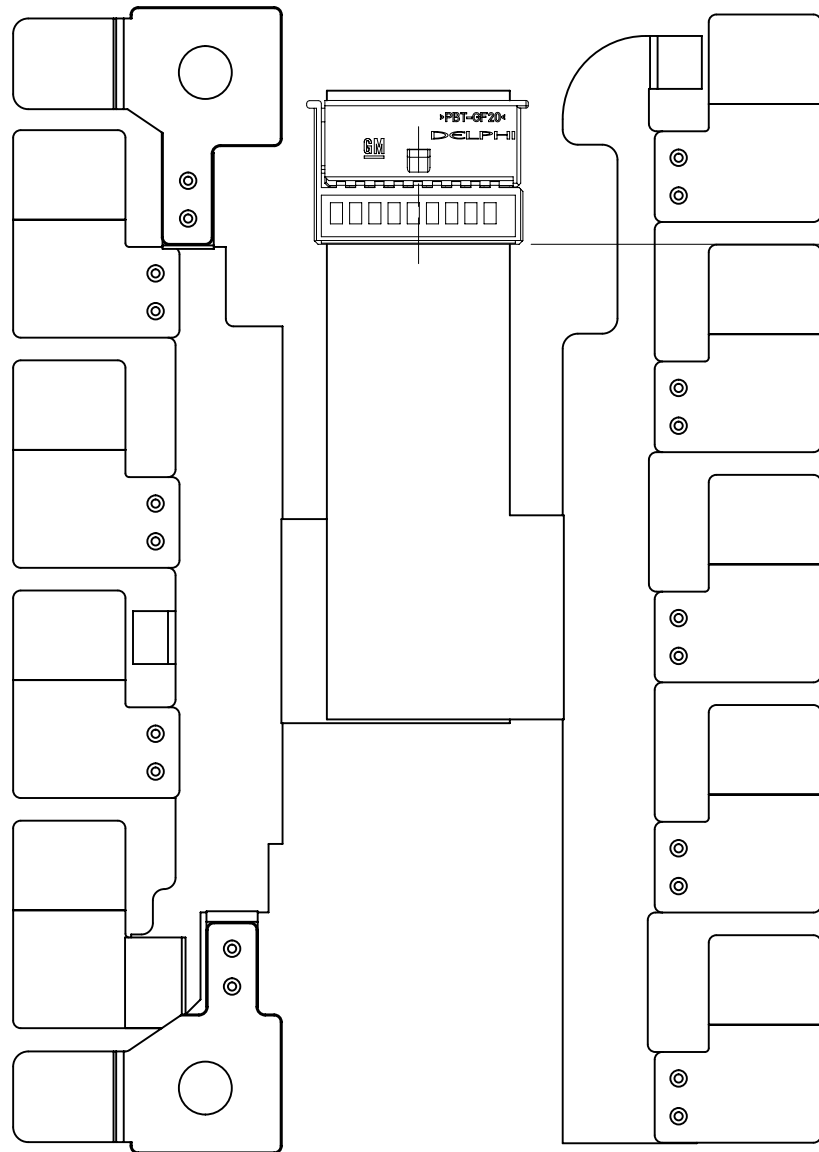
CONNECTOR MUST FREELY INSERT TO DATUM TARGET, AS SHOWN, WITHOUT BINDING, TWISTING NOR DISTORTION OF FLEX CABLE AFFECTING ASSEMBLEABILITY OR FUNCTION



VIEW AD

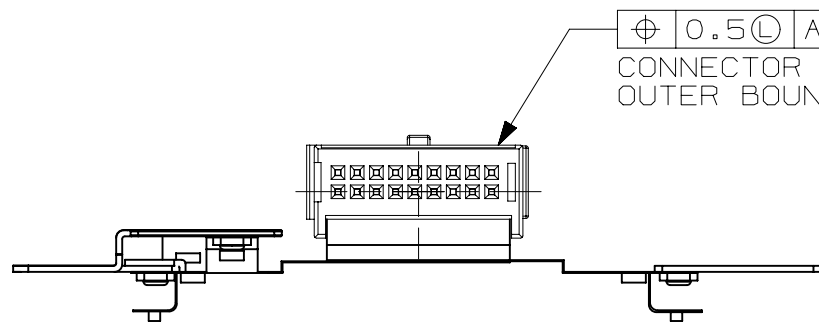
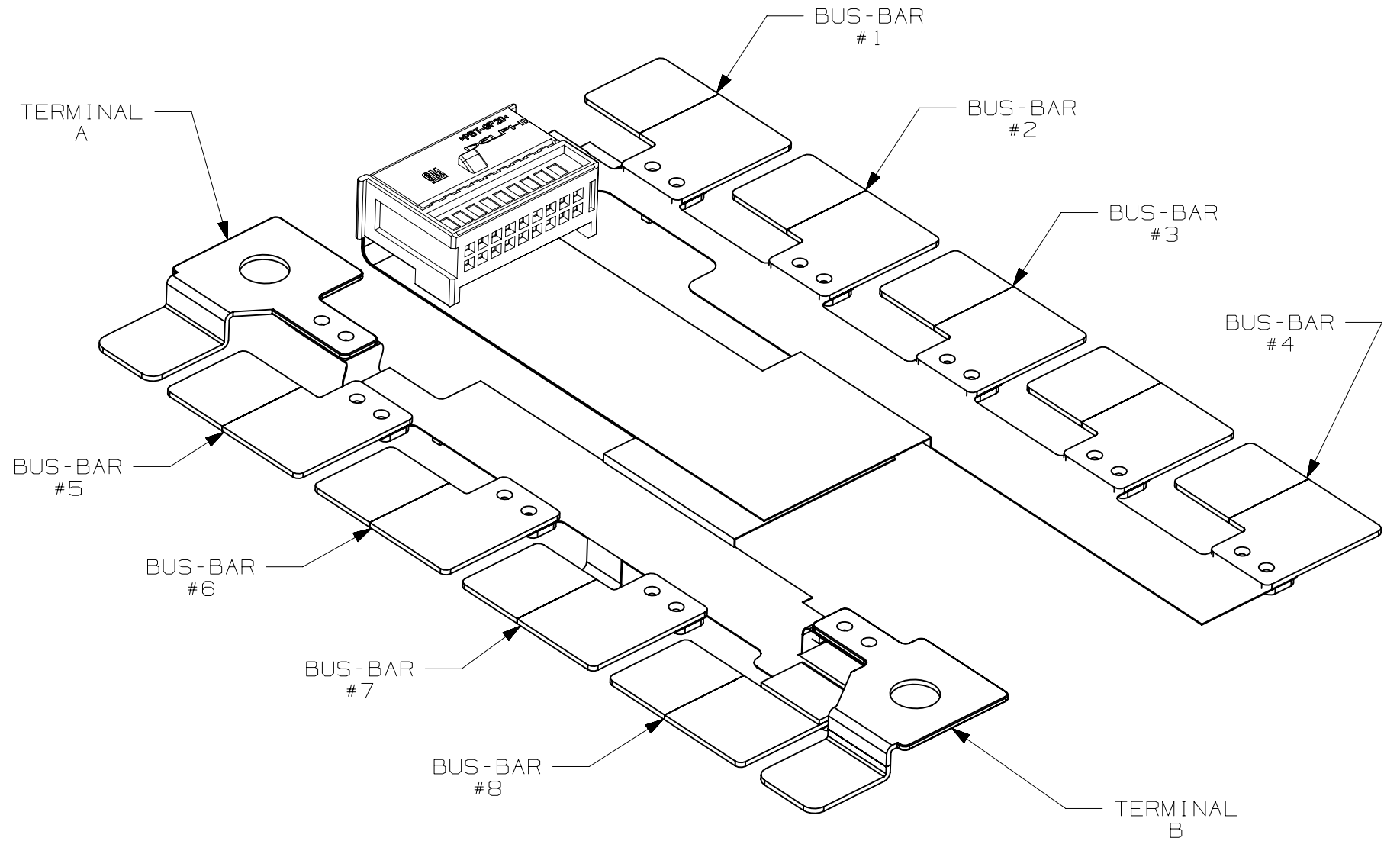
GM	PAGE TITLE	DRAWING NUMBER	DWG STATUS			PAGE NUMBER	
	FEATURE CONTROL VIEWS	22924539	ST	REV	PDI	16	of 20
			X	001			

NOTE:
 LAYOUT LABELS BELOW USED AS REFERENCE
 FOR CONNECTOR PIN FUNCTION CHART SHOWN
 ON NEXT PAGE



TOP VIEW
 (ROTATED 90° CLOCKWISE)

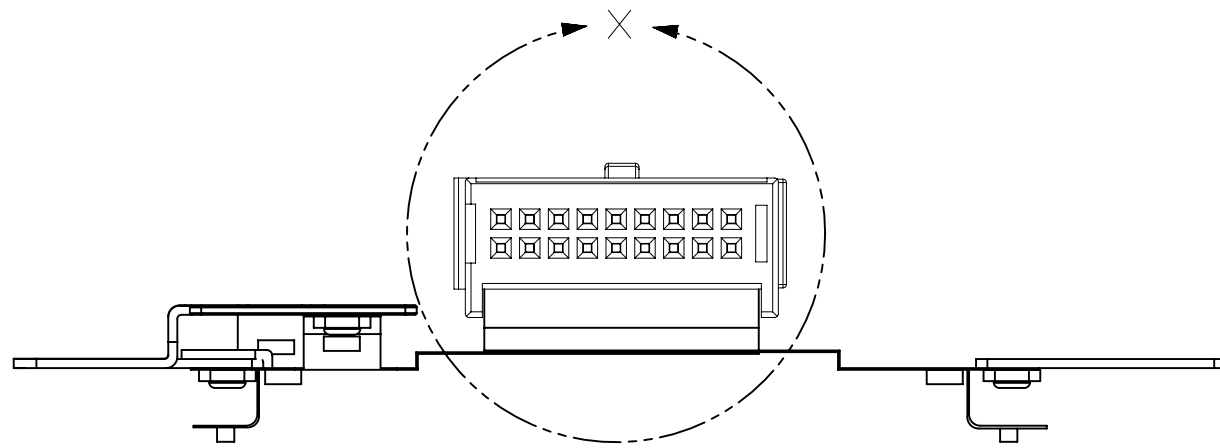
$\triangle 0.2 \text{ A } \odot$
 CONNECTOR FACE



PROJECTED REAR VIEW

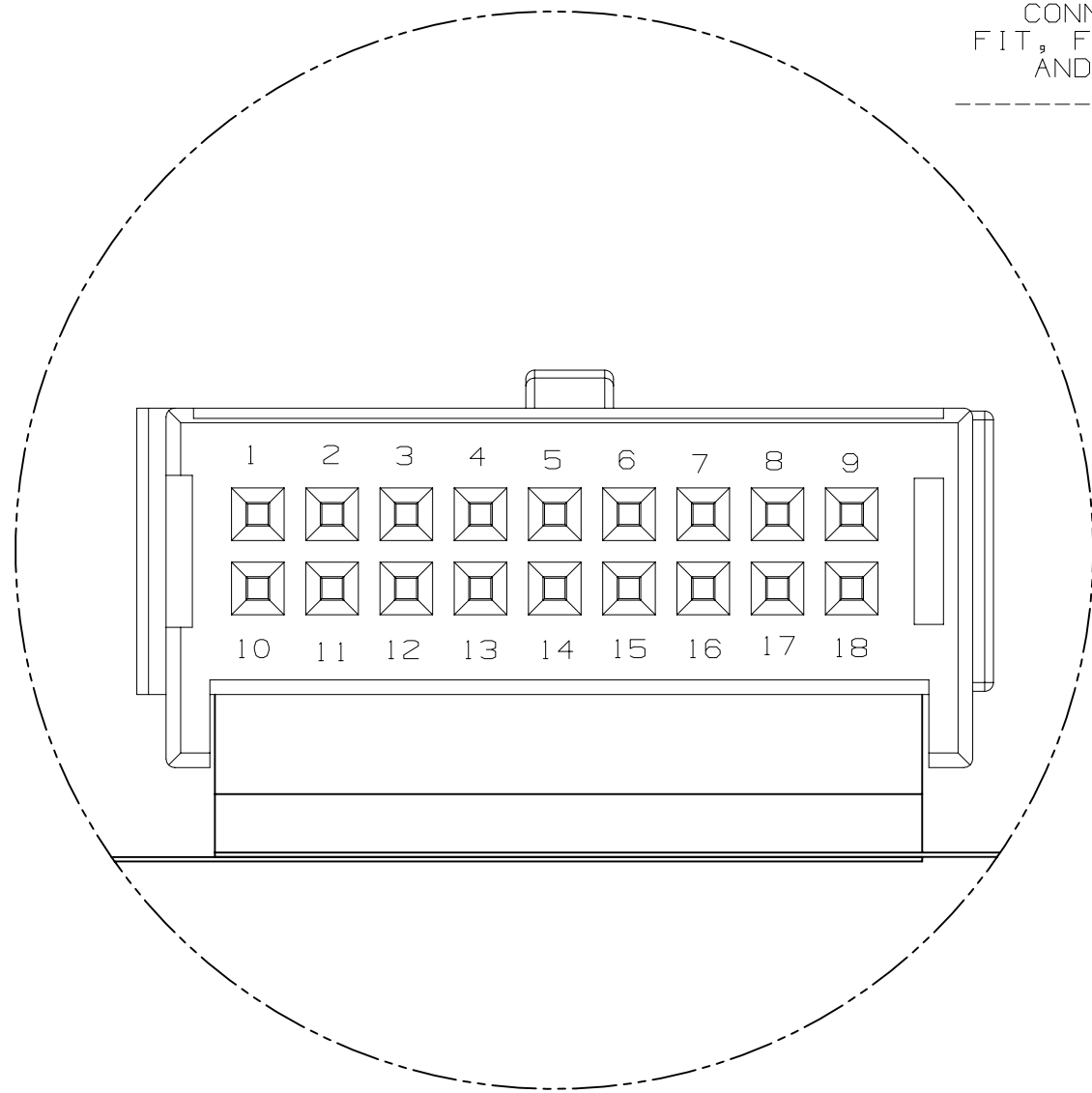
$\oplus 0.5 \text{ L } \text{A } \odot$
 CONNECTOR
 OUTER BOUNDARY

	PAGE TITLE	DRAWING NUMBER 22924539	DWG STATUS			PAGE NUMBER	
	FEATURE CONTROL VIEWS		ST	REV	PD1	17	OF 20
			X	001			



REAR VIEW

CONNECTOR MUST
FIT, FUNCTION WITH,
AND RETAIN TO
-----TBD-----

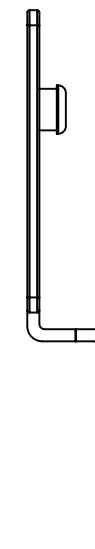
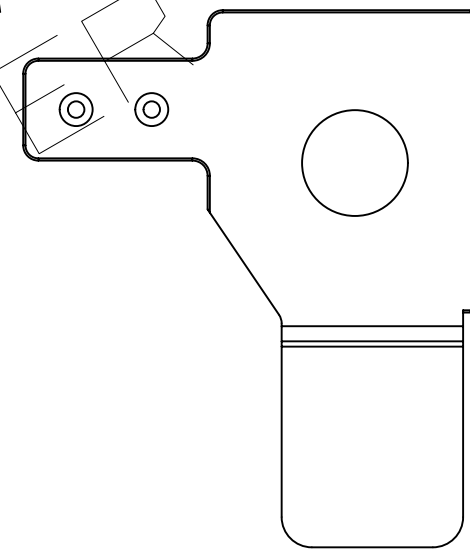
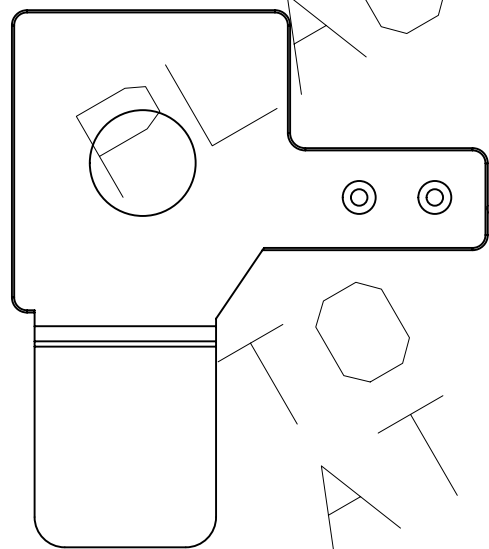
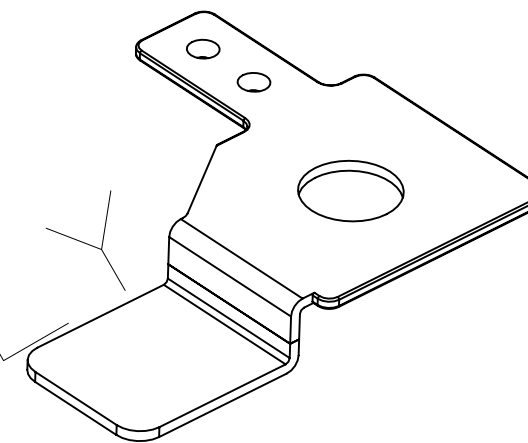
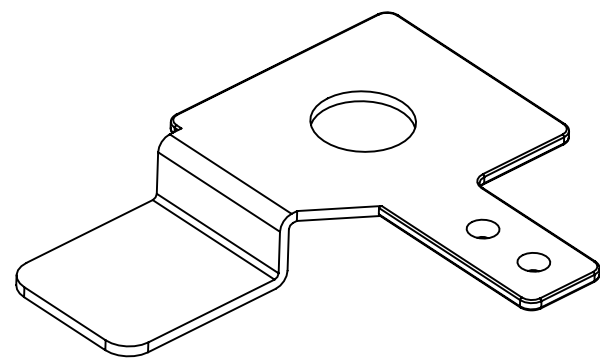


VIEW X

PIN NO.	PIN FUNCTION/SIGNAL/BUSBAR #/TERMINAL #
1	
2	
3	
4	
5	
6	
7	
8	
9	
10	
11	
12	
13	
14	
15	
16	
17	
18	

PRELIMINARY
TO BE COMPLETED
DATE





TO BE A LATER DATE
ONLY
COMPLETED
DATE



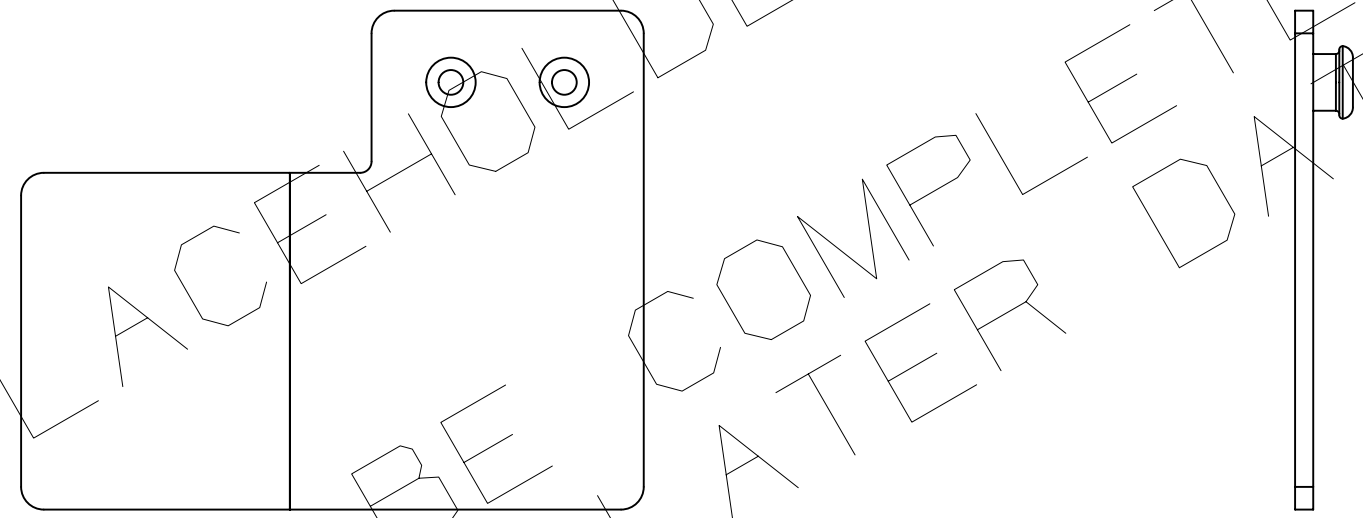
PAGE TITLE
DETAIL COMPONENT VIEWS

DRAWING NUMBER
22924539

DWG STATUS		
ST	REV	PD1
X	001	

PAGE NUMBER
19 of 20

PLACEHOLDER ONLY
TO BE COMPLETED
AT A LATER DATE



PAGE TITLE
DETAIL COMPONENT VIEWS

DRAWING NUMBER
22924539

DWG STATUS		
ST	REV	PD1
X	001	

PAGE NUMBER
20 of 20