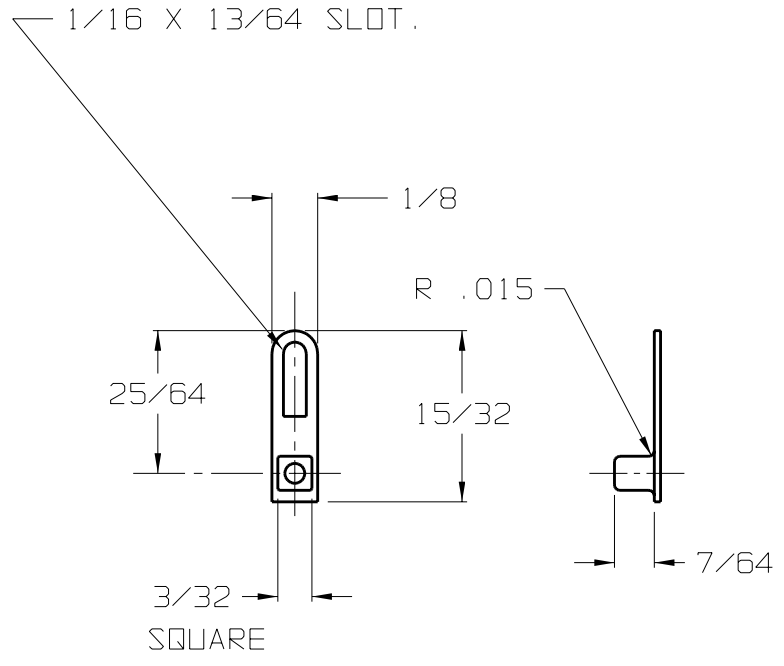


USED ON		REVISIONS						
ZONE	REV.	DESCRIPTION	ISSUED	DRAFTED	DATE	APRVD		



VENDOR: DAYSTAR  
 VENDER PART NO.: 001-1751-008

THIS DESIGN & DWG. ARE THE PROPERTY OF THOMAS ELECTRONICS, INC. THE CORP. DOES NOT PERMIT THEIR USE EXCEPT WITH WRITTEN PERMISSION

UNLESS OTHERWISE SPECIFIED DIMENSIONS ARE IN INCHES TOLERANCES ARE:  FRACTIONS DECIMALS ANGLES $\pm 1/64$ $XX \pm .010$ $\pm 1/2^\circ$ $XXX \pm .005$	USED ON:		<b>THOMAS ELECTRONICS</b>			
	APPROVALS		DATE	LUG, TERMINAL		
MATERIAL .017 BRASS	DRAWN S. GALDEN	DATE 6/23/93	330 S. LA LONDE AVE, ADDISON IL. 60101, U.S.A.			
FINISH ELECTRO TIN PLATE AND FUSE	ENGR		SIZE A	FSCM NO. 99409	DWG. NO. 29-58	REV. -
DO NOT SCALE DRAWING	PROD		SCALE	SHEET 1 OF 1		
	QA					

