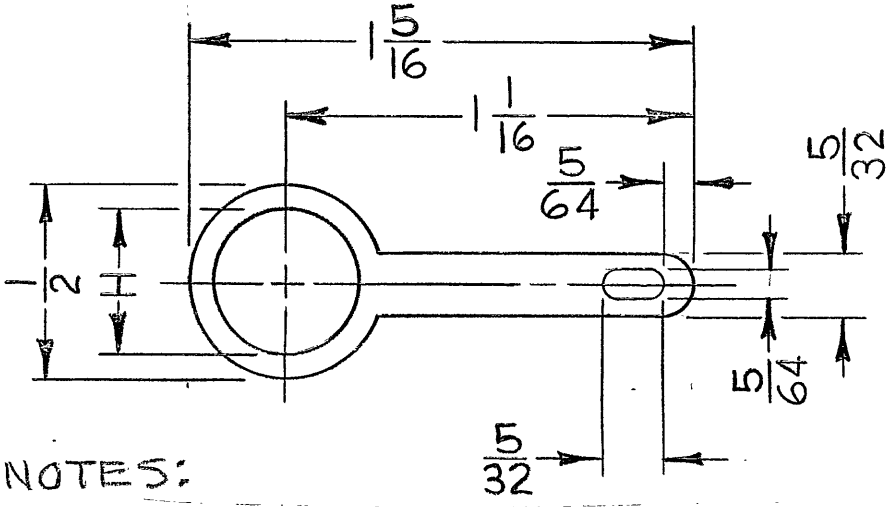


503038



REVISIONS				
LTR	C/N	DESCRIPTION	DATE	APPROVED
+	+	REL. FOR PROD 31005	12/3/70	—
+	+	REL FOR PROD 58001	4/12/71	—
+	+	REL. FOR PROD. 51003	12/4/72	PR <i>Kurt</i>
+	+	REL FOR PROD 11027	1/30/73	WSP Ad <i>Kurt</i> JCB <i>Kurt</i>
—	—	REL FOR PROD 33039	8-15-73	—
—	—	REL FOR PROD 23085	6-23-76	<i>Kurt</i>
A	33703	MAT'L. UPDATE PER CN. GK	10/7/85	<i>WSP</i>
B	38368	UPDATED & ADDED TOL JH	89/1/10	<i>WSP</i>

NOTES:

- MATL: .020 STL
ELECTRO TIN PLATED
PER MIL-T-10727, TYPE I
- PERMANENTLY MARK
PER REQTS OF MIL-STD-130.
- IDENTIFICATION OF THE SUGGESTED SOURCE(S) OF
SUPPLY HEREON IS NOT TO BE CONSTRUED AS A
GUARANTEE OF PRESENT OR CONTINUED AVAILABILITY
AS A SOURCE OF SUPPLY FOR THE ITEM(S).

CARDION P/N	"H" DIA
503038-1	.257
503038-2	.390

SUGGESTED SOURCE OF SUPPLY
ZIERICK MFG. CORP. (79963)
RADIO CIRCLE
MT. KISCO, N.Y., 10549
P/N: 509

**SPECIFICATION
CONTROL DRAWING**

105372	AN/FRN-43,44
103328	AN/GMQ-30
505199, 200	AN/AXQ-13
102250	SN480/APX-102
MULTIPLE	11027
101997, 102111	AN/SPS-55
104211	AN/SPA-25F
101528	MX-8757/UPX
NEXT ASSY	USED ON
APPLICATION	

F04606-82-C-0348 N00024-86-C-5624	
ALL DIMENSIONS IN INCHES UNLESS NOTED. TOLERANCES ARE FRACT 2 PL. DEC 3 PL. DEC ANGLES	±/32 ±~ ±.010 ±~
MATERIAL	NOTE 1
FINISH	NOTE 1
APPROVED	DATE
<i>EPOHL</i>	12/14/70
APPROVAL	

DRAWN BY F. KOMORNIK		DATE 12-3-70	CARDION ELECTRONICS WOODBURY, L. I., N. Y. 11797	
DRAFTING REL <i>Kurt</i>		12/14/70		
PROJECT NO. 23085		508044	TERMINAL LUG	
31005, 33039		321365		
CONTRACT NO. N00039-70-C-0513				
SIZE	CODE IDENT. NO.	DRAWING NO.	REV	
A	12909	503038	B	
SCALE: 2/1		WGT:	SHEET 1 OF 1	

N00024-84-C-7010

N00024-79-C-7060