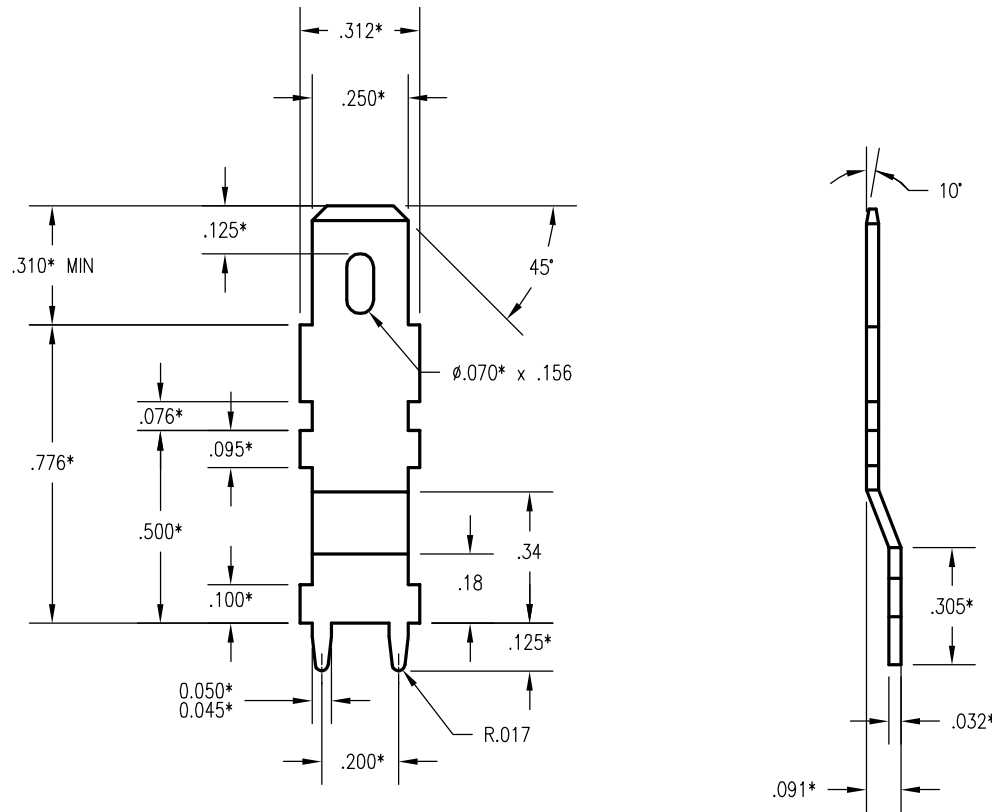


Revision Index	Page Rev.	Rev.	Description	App'd By
		A	ECR #1268 Corrected Dim Errors	GE JR 10-12-04
		B	ADDED NOTE 3 & CORRECTED SPECIFICATIONS	GE JR 06-09-06
		C	Updated filename	GE JR 05-21-10

- SPECIFICATIONS:
1. MATERIAL BRASS
 2. FINISH: MATTE TINE OVER COPPER
 3. RoHS/Pb FREE PROCESS COMPLIANT
 4. PACKAGING: BULK



* INCOMING INSPECTION PARAMETERS

infitec inc.		Unless Otherwise Specified Dimensions Are In Inches [MM] Tolerances Are: XX ±.01 XXX ±.005, XXXX ±.003, [MM] ±0.3 Angles ±1/4° Radii .015 Max.		Title: Detail Drawing: Purchased Part TERM: MALE 1/4QC .032T W/.075 OFFSET	
Engineer By: GE JR	Date: 09-03-2003	DO NOT SCALE DRAWING		Part Number: P3700-36	
Drawn By: CMS	Date: 09-03-2003			File Name: P3700-36.DWG	
Checked By: GE JR	Date: 07-24-2004	Scale: 2:1		Page	Size
Department: Test SMD Assy Wire QC				1 OF 1	A