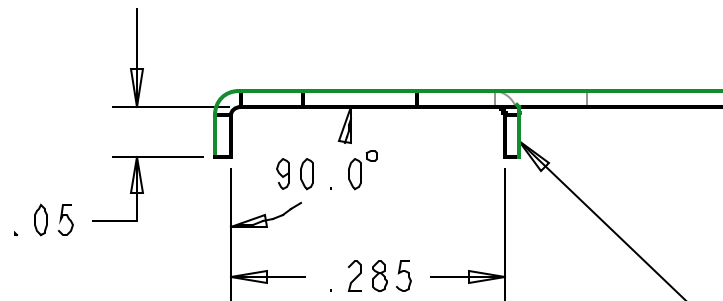
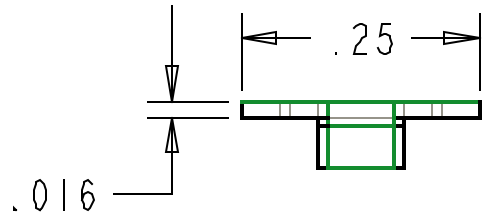


Preliminary Design

Center pick-up point for SMT device



small "lugs" placed into embossed tape first to allow SMT to pick-up device.

Winegard Co.  
Proposed SMT Phasing Clip