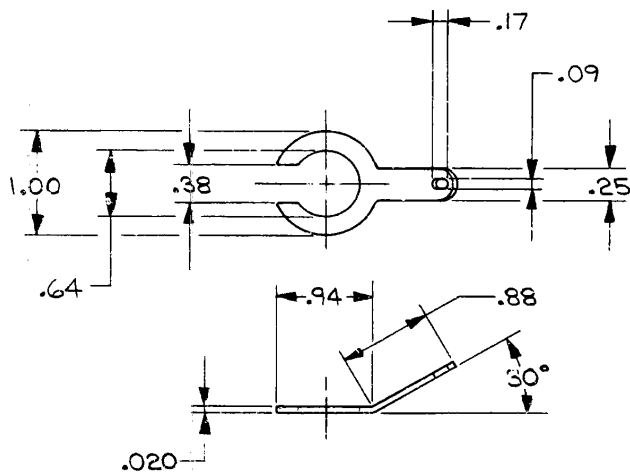


THIS DOCUMENT HAS BEEN PURCHASED BY THE GOVERNMENT AND MAY BE REPRODUCED AND USED IN CONNECTION WITH ANY GOVERNMENT PROCUREMENT OR MAINTENANCE OPERATION.

NOTE: DATA MARKED WITH AN ASTERISK (*) IS PECULIAR TO A PRIOR MANUFACTURER. IT DOES NOT TAKE PRECEDENCE OVER ANY OTHER DATA ON THIS DRAWING, AND IS NOT CONTRACTUALLY BINDING ON EITHER THE CONTRACTOR OR THE GOVERNMENT.

REVISIONS			
LTR	DESCRIPTION	DATE	APPROVED



NOTES:

1. SUGGESTED SOURCE OF SUPPLY:
ZIERICK MANUFACTURING CORP
MOUNT KISCO, NEW YORK
CODE IDENT NO. 79963
THEIR PN 151
2. PREPARED IN ACCORDANCE WITH MIL-STD-100.
3. FINISH - HOT TIN PER MIL-F-14072 (SIG.C), M-258

SPECIFICATION CONTROL DRAWING

FINO NO.	QTY REQD	CODE IDENT.	PART NO. OR IDENTIFYING NO.	NOMENCLATURE OR DESCRIPTION	SPECIFICATION	NOTE
PARTS LIST						
		UNLESS OTHERWISE SPECIFIED	TECHNICAL 78702	DEPARTMENT OF DEFENSE		
		DIMENSIONS ARE IN INCHES	APPLIANCE CORP	U. S. ARMY ELECTRONICS COMMAND		
		TOLERANCES ON:	DAAB07-77-C-0191	FORT MONMOUTH NEW JERSEY 07703		
		FRACTIONS DECIMALS ANGLES	DR JSW 1 DEC 77	LUG, GROUND		
		— XX±.02	APPD P.N. SKANSKI 4-3-78			
		XXX±.005 ± 5°	MATERIAL:	ELECTRONICS COMMAND		
			BRASS PER	REVIEWED EC-1 (FJF)	SIZE	CODE IDENT NO.
			QQ-B-613	APPROVED EC-1 (FJF)	B	80063
				DATE 80-04-30	SCALE 1/1	SM-B-944733
						SHEET

SM-D-944760	DL-944751
NEXT ASSY	USED ON
APPLICATION	

WHEN REFERRING TO THIS DRAWING STATE DRAWING NO., APPLICABLE ISSUE LETTER IF ANY, AND DATE