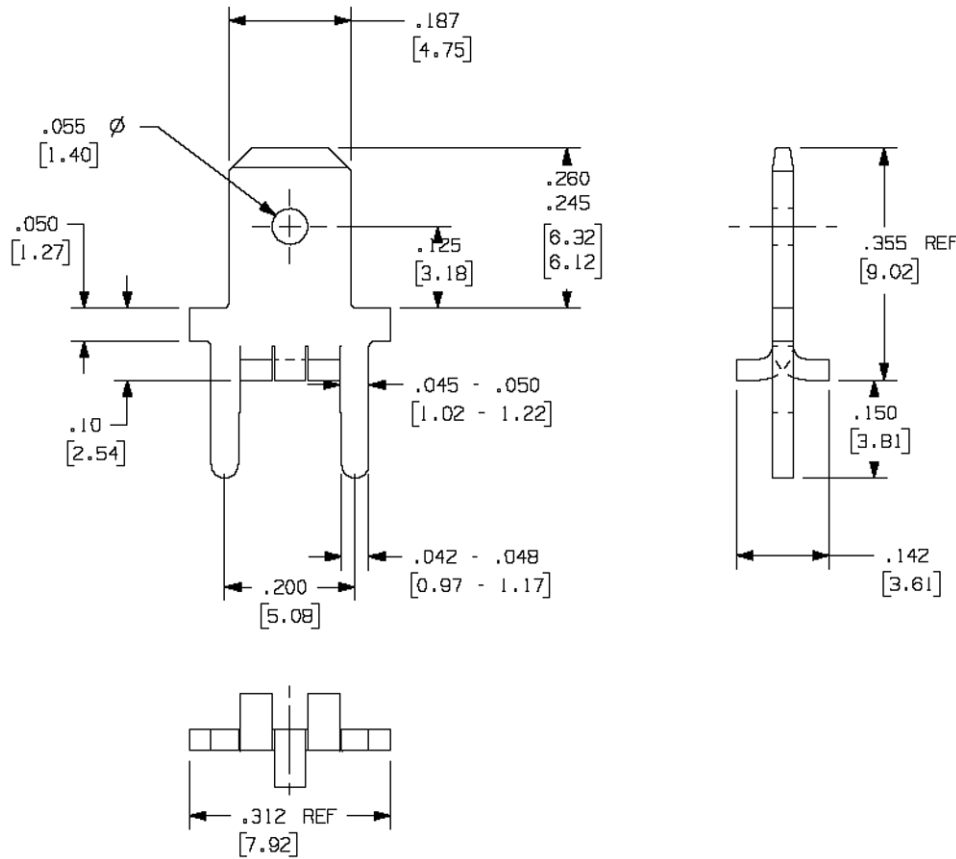


**SURFACE MOUNT / THROUGH HOLE TAB
PART NUMBERS 6284 AND 6291 (continued)**



APPLICATION DRAWING: PN 6291



SPECIFICATIONS

Reeled Part Number	6284	6291
Hole Diameter	0.070" (1.78mm)	0.055" (1.40mm)
Material Thickness	0.032" (0.81mm)	
Material Type	Brass	
Standard Finish	100% Tin over Copper	
Feeder System (SMT)	Surf-Shooter SMT Continuous Strip Feeder	
Feeder System (THT)	Models 9700, 9700 XY	

TABLE 1: TAB/QUICK DISCONNECT STRENGTH TESTS

Based on .250" Tabs

Type of Tab	Soldering Process	Average Tensile Strength	Average Bend Force
THT Tab w/o Stable-Lok®	Wave Soldered	58 Lb / 26.4 Kg	8 Lb / 3.6 Kg
THT Tab w/ Stable-Lok®	Wave Soldered	58 Lb / 26.4 Kg	13 Lb / 5.9 Kg
SMT Tab	Surface Mount Soldered	80 Lb / 36.4 Kg	24 Lb / 10.9 Kg
SMT/THT Tab	Surface Mount Soldered	166 Lb / 75.4 Kg	26 Lb / 11.0 Kg