

REVISION HISTORY			
REV	DESCRIPTION	DATE	APPROVED
AE	REDRAWN WITH CHANGE 50X0G142501	03-08-25	RWC RC

1. MATL: BRONZ CDA 42500 OR BRASS PER CDA 26000
2. FINISH: HOT TIN DIP, 60% TIN, 40% LEAD, .00010 MIN THK, PER MIL-STD-202
3. ITEM IDENT MARKING SHALL BE IN ACCORDANCE WITH MIL-STD-130
4. UNLESS OTHERWISE SPECIFIED HEREON, PARTS SHALL BE IN ACCORDANCE WITH MIL-T-15659
5. FORMING FLAT TERMINALS AT ASSEMBLY MAY CAUSE MATERIAL TO CRACK ROUNDED EDGE TOOLS NEED TO BE USED TO PREVENT DAMAGE

CAD MAINTAINED. CHANGES SHALL BE INCORPORATED BY THE DESIGN ACTIVITY

SUGGESTED SOURCE(S) OF SUPPLY:

~~SHAKER PROOF DIV
ILLINOIS TOOL WORKS
ELGIN, IL~~

ZIERICK MFG CORP
MT KISKO, NY
CODE IDENT 79963

~~ASQUARED MID
TORRINGTON, CT
CODE IDENT 13996~~

SEASTROM MFG CO
GLENDALE, CA
CODE IDENT 86928

IDENTIFICATION OF THE SOURCE(S) OF SUPPLY HEREON IS NOT TO BE CONSTRUED AS A GUARANTEE OF PRESENT OR CONTINUED AVAILABILITY AS A SOURCE OF SUPPLY FOR THE ITEM(S)

N00019-97-C-0147

DISTRIBUTION STATEMENT D: DISTRIBUTION AUTHORIZED TO THE DEPARTMENT OF DEFENSE AND DOD CONTRACTORS ONLY, TO PROTECT PUBLICATIONS REQUIRED FOR OFFICIAL USE ONLY AND FOR ADMINISTRATIVE OR OPERATIONAL PURPOSES. (DETERMINATION DATE: 01 JUNE 97). OTHER REQUESTS FOR THIS DOCUMENT SHALL BE REFERRED TO THE NAVAL AIR SYSTEMS COMMAND (PMA-231).

WARNING: THIS DOCUMENT CONTAINS TECHNICAL DATA WHOSE EXPORT IS RESTRICTED BY THE ARMS EXPORT CONTROL ACT (TITLE 22, U.S.C., SECTION 2751 ET SEQ.) OR EXECUTIVE ORDER 12470. VIOLATION OF THESE EXPORT LAWS ARE SUBJECT TO SEVERE CRIMINAL PENALTIES.

DESIGN ACTIVITY TRANSFERRED TO LOCKHEED MARTIN, SYRACUSE, NY
CAGE CODE: 03538

	AE	AE	AE	AE	REV	REV STATUS
	4	3	2	1	SH	OF SHEETS

SPECIFICATION CONTROL DRAWING

UNLESS OTHERWISE SPECIFIED DIMENSIONS ARE IN INCHES TOLERANCES ON 2 PL DECIMALS ± 3 PL DECIMALS ± ANGLES ±		CONTR NO		LOCKHEED MARTIN CORPORATION SYRACUSE, NY	
THIRD ANGLE PROJECTION 		SIGNATURES	YR-MO-DY	TERMINAL, LUG	
		CAD L. WADE	57-10-15		
		PROD NEK	57-10-15		
		ENGR R. J. D.	57-10-15		
		ISSUED	58-05-16	SIZE	CAGE CODE
NEXT ASSY	USED ON			C	99971
APPLICATION				DWG NO	REV
				7435989	AE
				SCALE	SHEET
				NONE	1 OF 4

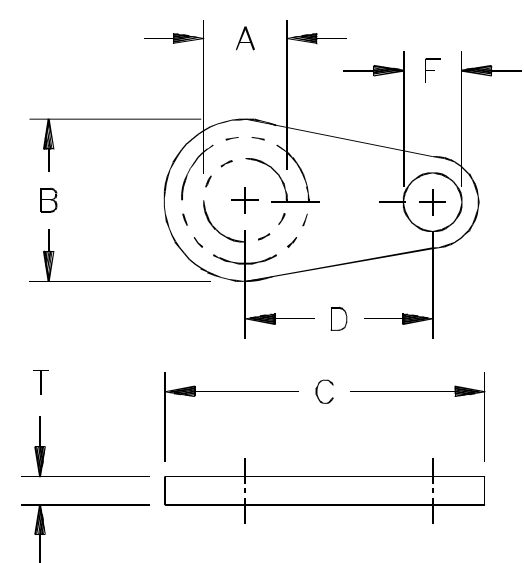


FIG 1

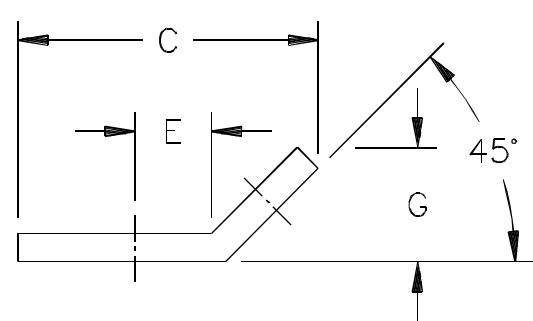


FIG 2
SAME AS
FIG 1
EXCEPT
AS SHOWN

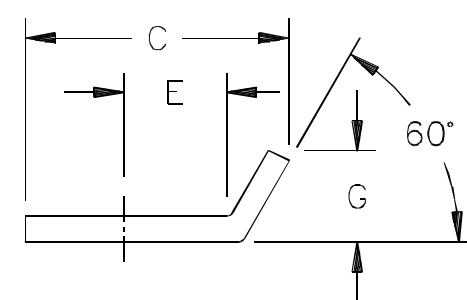


FIG 3
SAME AS
FIG 1
EXCEPT
AS SHOWN

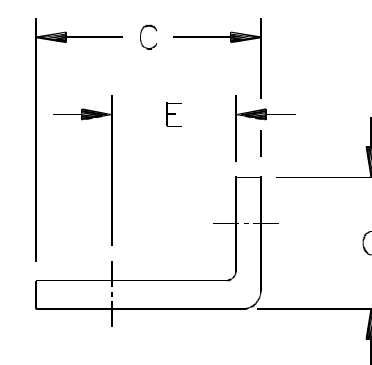


FIG 4
SAME AS
FIG 1
EXCEPT
AS SHOWN

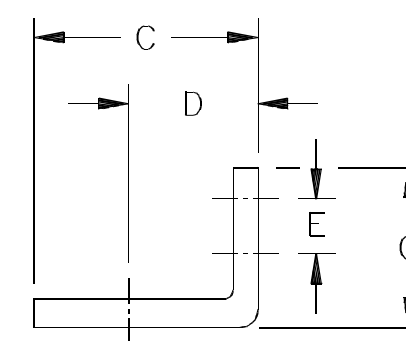


FIG 5
SAME AS
FIG 1
EXCEPT
AS SHOWN

PT NO	FIG NO	VENDOR'S ITEM IDENT NO				SCR SIZE	HOLE TYPE	DIMENSIONS (TOL ±.016 OR AS NOTED)							T ±.005
		SHAKERPROOF	ZIERICK	ASQUARED	SEASTROM			A	B	C	D	E	F	G	
1	4	2106-02-01-2520N	-	-	A373-283-1	2	LKG	.095-.089	.180±.005	.188	-	.103±.010	.078	.300±.010	.013
2	1	2106-04-00	802-120-1	LT-330418-1	2	4	LKG	.123-.116	.313	.625	.375	-	.094	-	.018
3	1	2106-06-00	802-144-1	LT-330618-1	3	6	LKG	.150-.142	.625	.375	-	-	-	-	.018
4	2(17°)	2106-06-04-2520N	-	LT-340818-2-BA	4	6	LKG	.150-.142	.578	-	-	.156	-	.109	.018
5	1	Z935-144	Z935-144	LT-350618-1	5	6	LKG	.150-.142	.328	-	-	.156	-	.313	.018
6	1	2106-08-00-2520N	802-169-1	LT-330818-1	6	8	LKG	.176-.168	.625	.375	-	-	-	-	.018
7	1	2106-09-00	-	LT-330918-1-BA	7	9	LKG	.187-.182	.625	.375	-	-	-	-	.018
8	1	2106-05-04	-	LT-330518-1	A373-283-8	5	LKG	.136-.129	.625	.375	-	-	.094	-	.018
9	1	2406-03-00	-	L-330318-1	-	3	PLAIN	.109-.103	.625	.375	-	-	.106±.003	-	.018
10	1	2406-04-00	Z818-120-1	L-330418-1	-	4	LKG	.123-.116	.313	.625	.375	-	.094	-	.018
11	2	2905-04-00	-	L-520430-1	A373-283-11	4	LKG	.123-.116	.250	.495	-	.125	.087±.003	.265	.030
12	1	2406-06-00	Z818-144-1	L-330618-1	-	6	LKG	.150-.142	.313	.625	.375	-	.094	-	.018
13	2	2905-06-00	-	L-528630-1	A373-283-13	6	LKG	.150-.142	.250	.495	-	.125	.087±.003	.265	.030
14	1	2406-08-00	Z818-169-1	L-330818-1	-	8	LKG	.176-.168	.313	.625	.375	-	.094	-	.018
*15	-	2406-08-02	-	-	-	-	LKG	.176-.168	.625	.375	-	-	-	-	.018
16	3	2439-08-00	-	L-240818-5	A373-283-16	8	LKG	.176-.168	.578	-	-	.250	.078	.281	.018
17	1	2406-10-00	Z818-196-1	L-331018-1	-	10	LKG	.204-.195	.625	.375	-	-	.094	-	.018
18	3	2439-10-00-2520N	-	L-241018-5	A373-283-18	10	PLAIN	.204-.195	.578	-	-	.250	.078	.281	.018
19	5	800-120	800-120-1	-	5442-9	4	LKG	.125-.115	.313	.442	.286	.125	.094	.328	.018

* NO WIRE HOLE

SIZE	CAGE CODE	DWG NO	REV
C	99971	7435989	AE
SCALE	NONE	SHEET	2

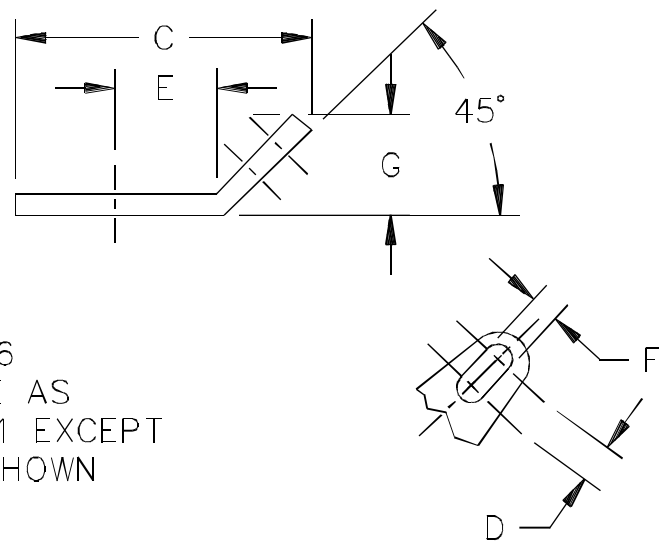


FIG. 6
SAME AS
FIG. 1 EXCEPT
AS SHOWN

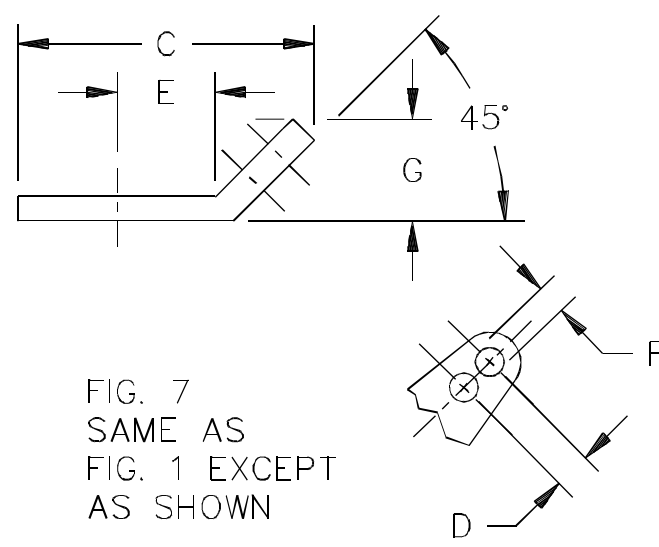


FIG. 7
SAME AS
FIG. 1 EXCEPT
AS SHOWN

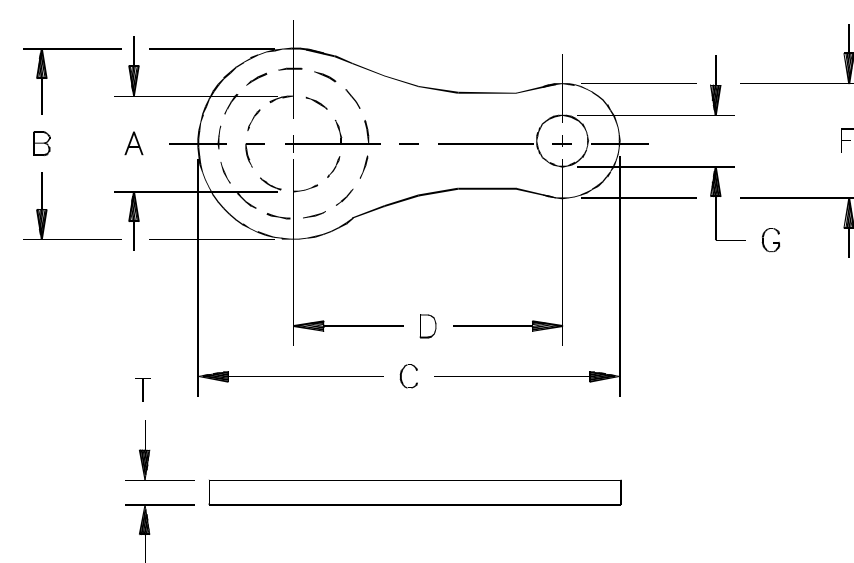


FIG. 8

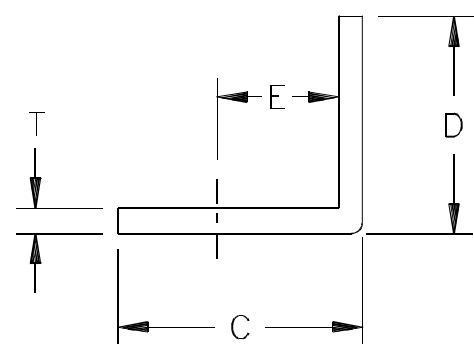


FIG. 9
SAME AS
FIG. 8 EXCEPT
AS SHOWN

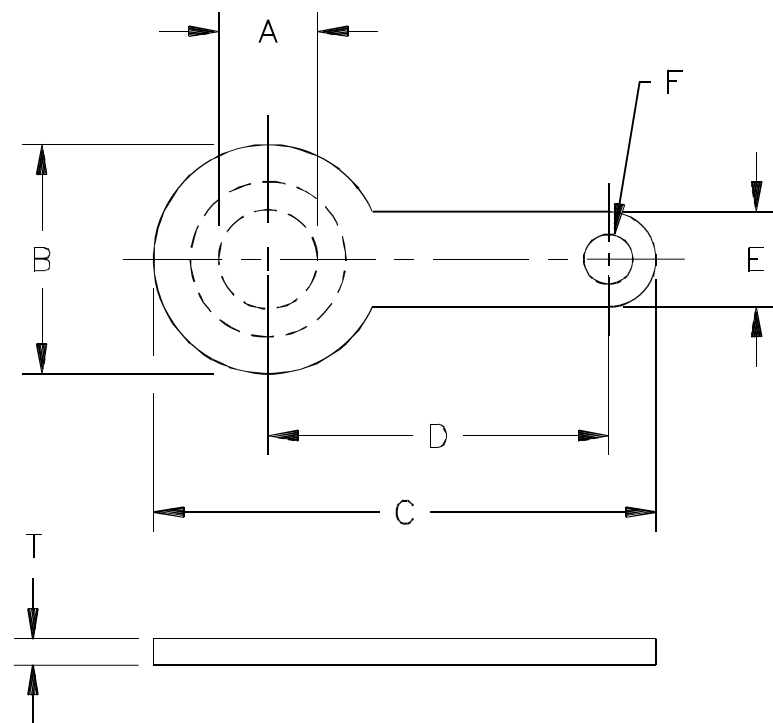


FIG. 10

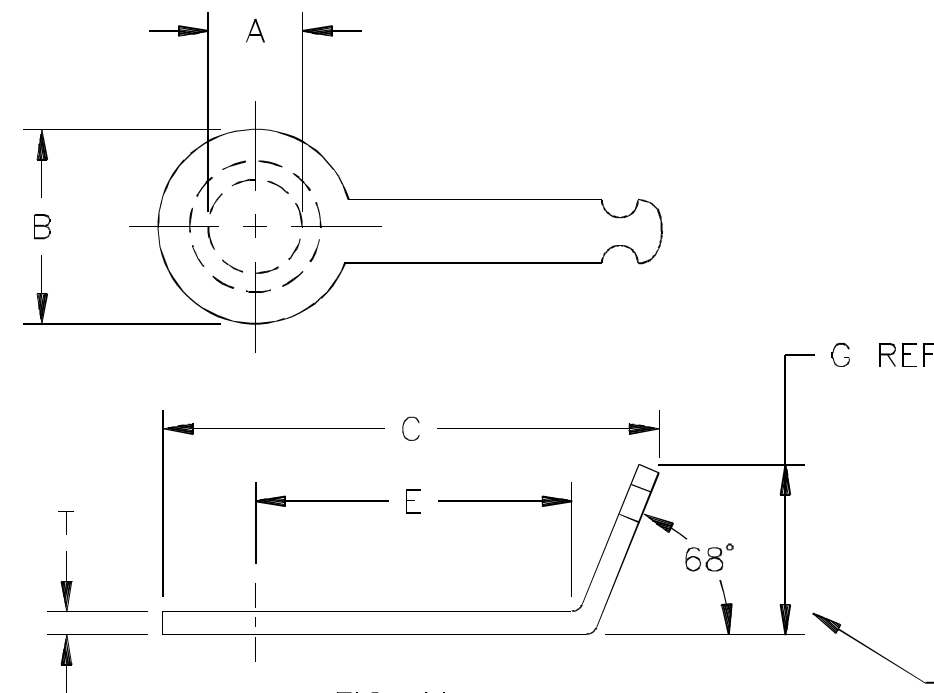
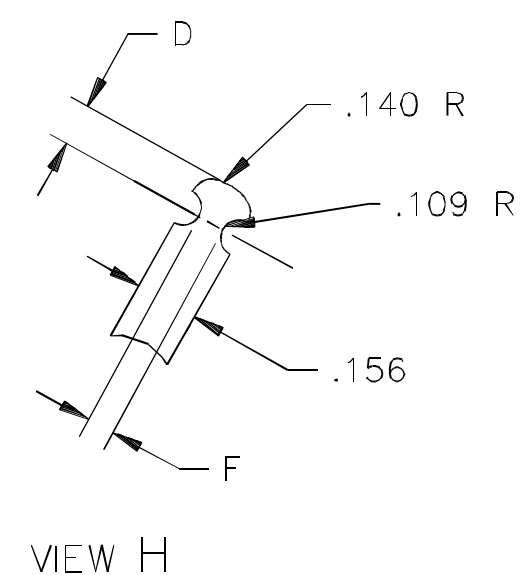


FIG. 11

SEE
VIEW H



VIEW H

PT NO	FIG NO	VENDOR'S ITEM IDENT NO				HOLE TYPE	DIMENSIONS (TOL ±.016 OR AS NOTED)							T ±.005	SCR SIZE
		SHAKEPROOF	ZIERICK	ASQUARED	SEASTROM		A	B	C	D	E	F	G		
20	7	805-144	805-144-1	LT-240618-2	A373-283-20	LOCKING	.150-.142	.313	.641	.125	.250	.093	.234	.018	6
21	7	2104-04-01-2520N	805-120-1	LT-240418-2	A373-283-21		.123-.116	.313	.641	.125	.250	.093	.234		4
22	7	805-144	805-144-1	LT-240618-1	-		.150-.142	.313	.641	.125	.250	.093	.234		6
23	9	2101-10-01-2520N	-	LT-481018-7	-		.204-.195	.343	.546	.375	.359	.172	.093		10
24	7	805-120	805-120-1	LT-240418-1	-		.123-.116	.313	.641	.125	.250	.093	.234		4
25	10	2153-06-00-2520N	810-144-1	LT-270618-1	A373-283-25		.150-.142	.313	.734	.500	.156	.094	-	.018	6
26	11	933-375	933-375-1	-	A373-283-26		.398-.384	.625	1.516	.140	.875	.078	.609	.030	3/8
27	8	2168-14-00-2520N	-	-	A373-283-27	LOCKING	.267-.256	.438	.656	.375	-	.125	.063	.018	1/4

SIZE	CAGE CODE	DWG NO	REV
C	99971	7435989	AE
SCALE	NONE	SHEET	3

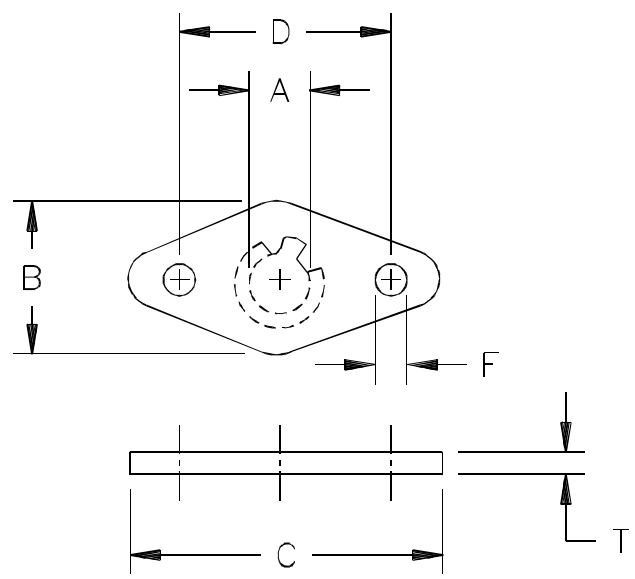


FIG 12

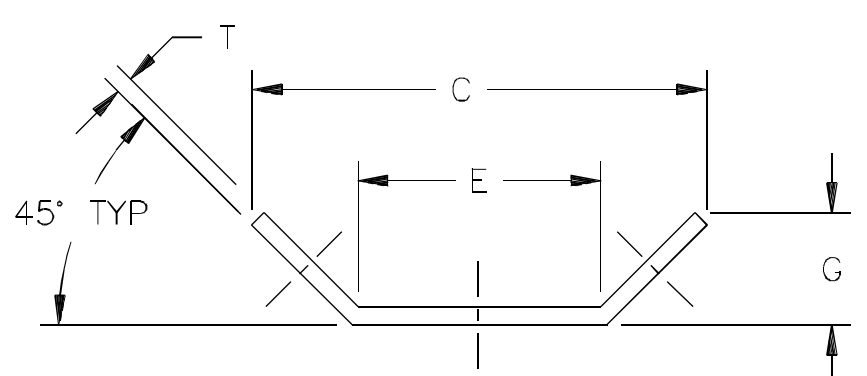


FIG 13
SAME AS FIG 12
EXCEPT AS SHOWN

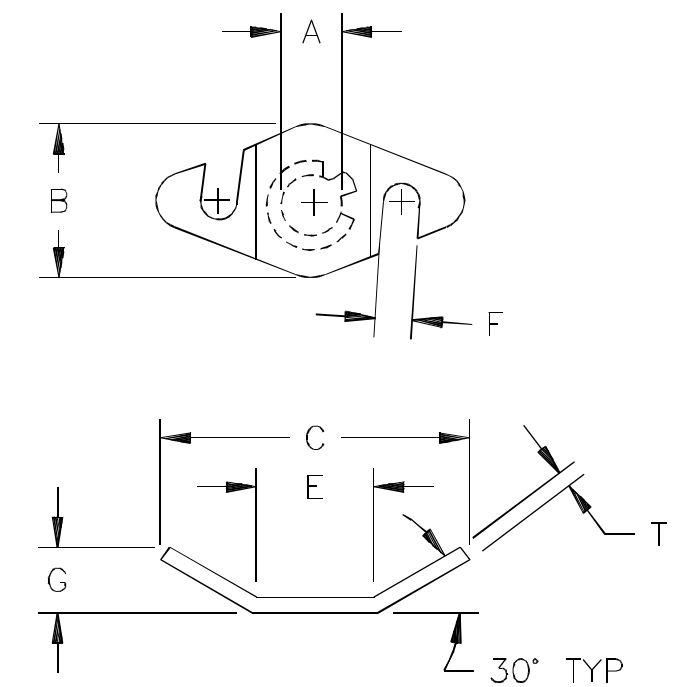


FIG 14

PT NO	FIG NO	VENDOR'S ITEM IDENT NO				SCR SIZE	HOLE TYPE	DIMENSIONS (TOL ±.016 OR AS NOTED)							T ±.005
		SHAKEPROOF	SEASTROM	ZIERICK	ASQUARED			A	B	C	D	E	F	G	
28	12	2157-04-00-2520N	A373-283-28	-	-	4	LOCKING	.123-.116	.312	.875	.625	-	.094	-	.018
29	12	2157-06-00	-29	-	-	6	↑	.150-.142	↑	.875	.625	-	.094	-	↑
30	13	2157-06-01	-30	-	-	6	↑	.150-.142	↑	.750	-	.375	.094	.188	↑
31	14	2110-04-00	-	-	-	4	↓	.123-.116	↓	.828	-	.406	.062	.141	↓
32	1	2106-10-00	-32	-	LT-331018-1	10	LOCKING	.204-.195	↓	.625	.375	-	.094	-	↓
33	7	2404-10-00-2520N	-33	Z816-196-1	-	10	PLAIN	.204-.195	↓	.719	.125	.250	.094	.234	↓
34	15	2102-04-00	A373-283-34	Z816-120-1	LT-230418-1	4	LOCKING	.123-.116	.312	.719	.344	.125	.094	-	.018

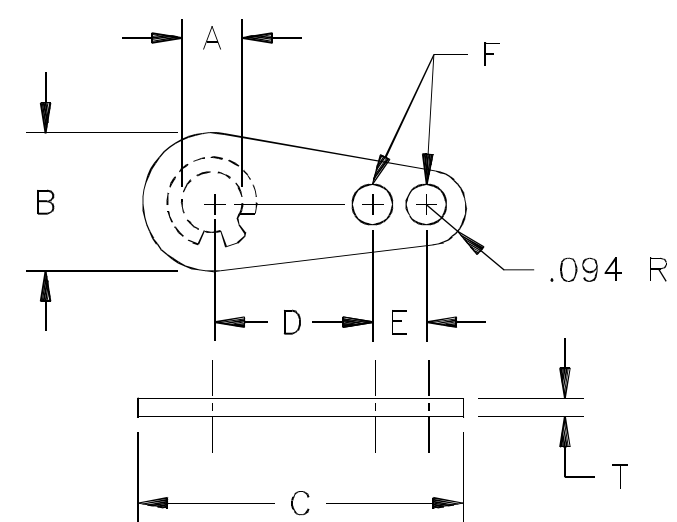


FIG 15

SIZE	CAGE CODE	DWG NO	REV
C	99971	7435989	AE
SCALE	NONE	SHEET	4