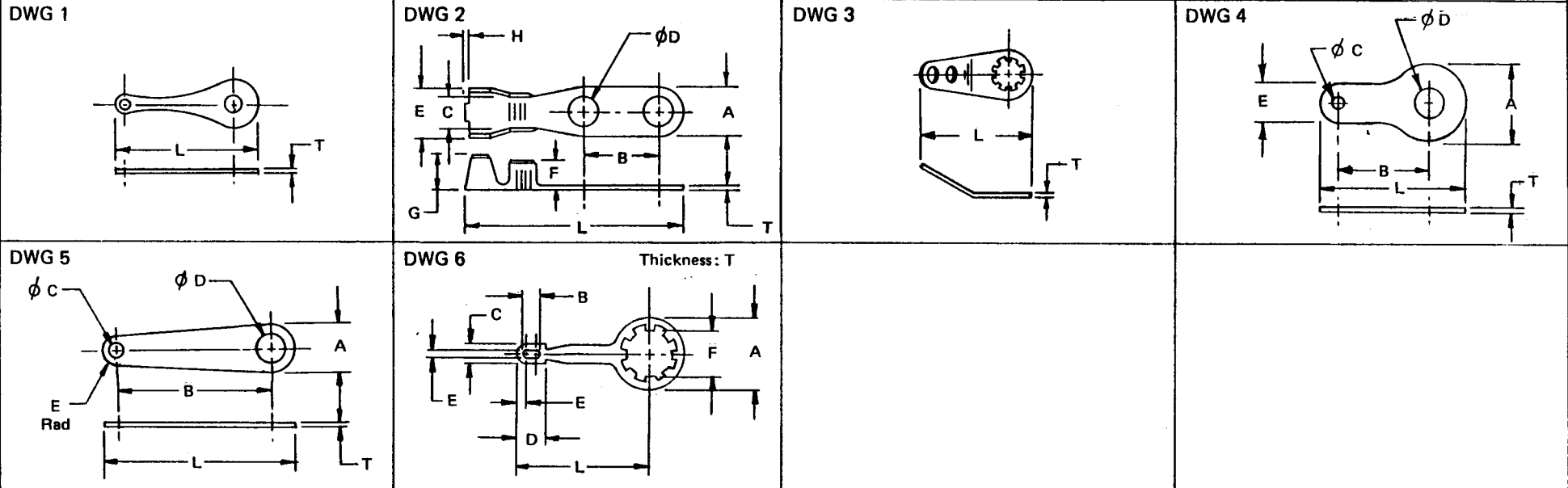




PART NAME: Lug



PB PART NUMBER	STUD SIZE	MATL	FINISH	DIMENSIONS										DWG NO	FORM	CHG LTR	
				A	B	C	D	E	F	G	H	L	T				
236-0079	6	Copper	Tinned	-	-	-	-	-	-	-	-	-	9/16	.012	1	Loose	
236-0600	.169	Brass	Tinned	.281	.437	.150 .130	.172 .166	.235 .215	.165 .145	.225 .205	.006	-	1.153 1.133	.020	2	Strip	A
236-0601	4	Brass	Tinned	-	-	-	-	-	-	-	-	-	11/16	.020	3	Loose	
236-0602	10	Copper	Hot Tin	3/8	17/32	.075 ± .005	.196	5/32	-	-	-	-	13/16	.020	4	Loose	C
236-0603	.144	Copper	Hot Tin	13/64	13/32	.095	.144	.072	-	-	-	-	9/16	.016	5	Loose	
236-0604	6	Copper	Tinned	-	-	-	-	-	-	-	-	-	7/8	-	1	Loose	
236-0605	6	Brass	Hot Tin	-	-	-	-	-	-	-	-	-	11/16	.020	3	Loose	
236-0606	3/8	Bronze	Hot Tin	.573	7/64	1/8	11/64	1/16	3/8	-	-	-	7/8	.025	6	Loose	